

# News from Monsanto...

# ROUNDUP<sup>®</sup>

HERBICIDE

# PRICE CUT

# \$22

# ON 2 $\frac{1}{2}$ GALS!

Monsanto has lowered the price of Roundup<sup>®</sup> herbicide by \$22 on the 2 $\frac{1}{2}$  gallon container size!

The price is even lower in 30's. Now you'll find even *more* value in Roundup and *more* places to use it *more* often.

Think of the budget-stretching savings Roundup can bring you compared to time-intensive string trimming. Or the labor-savings in using lower-priced Roundup to maintain weed-free beds and pine islands. Use it to eliminate brush, poison oak, poison ivy... in landscape site preparation and turf renovation.

Figure your savings at the new lower price. Then see your dealer or retailer to save on Roundup.



Always read and follow the label for Roundup herbicide. Roundup<sup>®</sup> is a registered trademark of Monsanto Company. © Monsanto Company 1991 RGP-1-170BR

# Finally, A High Capacity Doesn't Handle Like

For too long, high-capacity mowers have left a lot to be desired. But now all that has changed. Presenting the revolutionary new Groundsmaster® 580-D with an 80 hp turbo-diesel engine. The first large-scale rotary mower that combines the productivity of a 16-foot machine with the handling ease of a smaller mower.



Operating the 580-D is incredibly easy. Only Toro provides an adjustable tilt steering wheel and column. All controls are at the operator's fingertips, even cruise control.

Transport is easy too. An exclusive rotating hinge lowers the outboard cutting units behind the operator for a clear view to the side and rear. A balanced design allows you a stable 20 mph transport speed because the weight of the outboard cutting units is rotated to the rear.

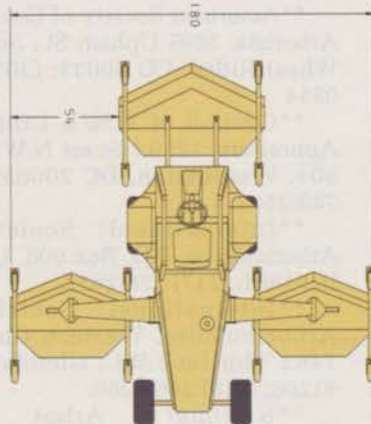
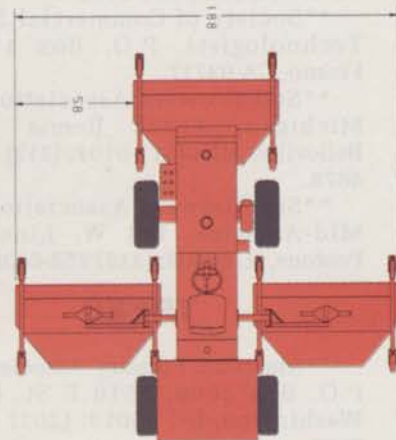
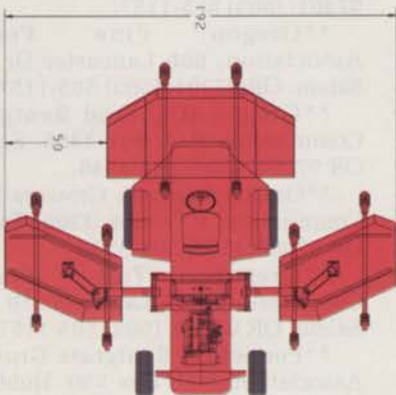


Digital read-outs display vital engine/machine functions at the touch of a button.

# Capacity Mower That Like A School Bus.



Toro's outboard cutting units also include an exclusive break-away protection feature. Should the operator misjudge distance, the wings will pivot away from the object that has been hit.



The 580-D's wide stance and short wheelbase give it maneuverability and stability. A short 76" wheelbase lets you turn an 18" uncut circle without braking. And Toro's exclusive swept-forward wing design keeps the tips of the outboard cutting units in line with the front drive wheels improving operator control and visibility.

For even more versatility, the 580-D includes these accessories: an 8-foot front broom attachment, a roll over protection system, a canopy, a cab and a road light package.

If you've been sacrificing ease of operation for high capacity, it's time you saw the revolutionary machine that gives you both: the new Groundsmaster 580-D from Toro. Call your local Toro distributor to see the Groundsmaster 580-D or contact Toro at the address below. You'll see firsthand how productive and versatile large-scale turf mowing can be.

**TORO**

The Professionals  
That Keep You Cutting.

Another Toro exclusive allows you to raise one or both of the outboard cutting units inside the traction unit width. The 580-D can then trim between objects less than 8 feet apart with the 92" Triflex® cutting unit.

## **PARKS/RECREATION**

\*\*Michigan Recreation & Park Association, 2724 E. Michigan Ave., Suite 201, Lansing, MI 48912; (517) 485-9888.

\*\*Minnesota Park Supervisors Association, 5800 I85th Ave. No., Brooklyn Park, MN 55443; (612) 560-1162.

\*\*Missouri Park & Recreation Association, 1203 Missouri Blvd., Jefferson City, MO 65101; (314) 636-3828.

\*\*National Institute on Parks & Grounds Management, P.O. Box 1936, Appleton, WI 54913; (414) 733-2301.

\*\*National Parks & Conservation Association, 1013 31st St. NW, Washington, D.C. 20007; (202) 944-8530.

\*\*National Recreation & Park Association, 3101 Park Center Dr., Alexandria, VA 22302; (703) 820-4940.

\*\*Ontario Parks Association, 1220 Sheppard Ave. E., Toronto, Ontario, CANADA M2K 2X1; (416) 495-4088.

\*\*Southwest Park & Recreation Training Institute, Park Administration and Landscape Architecture Dept., P.O. Box 4219, Stop 3144, Texas Tech University, Lubbock, TX 79409; (806) 742-2860.

## **PESTICIDES**

\*\*The Alliance for Environmental Concerns, P.O. Box 3692, Wayne, NJ 07474; (201) 595-7172.

\*\*International Pesticide Applicators Association, P.O. Box 1377, Milton, WA 98354.

\*\*Ohio Pesticide Applicators for Responsible Regulation, 1215 Terminal Tower, Cleveland, OH 44113; (216) 781-1212

\*\*Professional Pesticide Users of Connecticut, 1347 Newfield Ave., Stamford, CT 06905.

\*\*Responsible Industry for a Sound Environment, 1155 15th St., NW, Suite 900, Washington, DC 20005; (202) 296-6085.

## **SEED/SOD**

\*\*American Association of Seed Control Officials, Oregon Dept. of Agriculture, Commodity Inspection Div., 635 E. Capitol St. NE, Salem, OR 97310-0110; (503) 378-3774.

\*\*American Seed Trade Association, 1030 15th St. N.W., Washington, D.C. 20005; (202) 223-4080.

\*\*American Sod Producers Association, 1855-A Hicks Rd.,

Rolling Meadows, IL 60008; (708) 705-9898.

\*\*Atlantic Seedmen's Association, 298 E. McCormack Ave., State College, PA 16801; (814) 237-0330.

\*\*Cultivated Sod Association of New Jersey, Soils & Crops Dept., P.O. Box 231, Cook College, Rutgers University, New Brunswick, NJ 08903; (201) 932-9453.

\*\*Manhattan Ryegrass Growers Association, P.O. Box 250, Hubbard, OR 97032; (503) 651-2130.

\*\*Oregon Chewings Fescue & Creeping Red Fescue Commission, (Oregon Fine Fescue Commission), 866 Lancaster Dr. SE, Salem, OR 97301; (503) 585-1157.

\*\*Oregon Fine Fescue Association, 866 Lancaster Dr. SE, Salem, OR 97301; (503) 585-1157

\*\*Oregon Highland Bentgrass Commission, P.O. Box 3366, Salem, OR 97302; (503) 364-3346.

\*\*Oregon Ryegrass Growers Seed Commission, P.O. Box 3366, Salem, OR 97302; (503) 364-3346.

\*\*Oregon Tall Fescue Commission, 866 Lancaster Dr. SE, Salem, OR 97301; (503) 585-1157.

\*\*Penncross Bentgrass Growers Association, P.O. Box 250, Hubbard, OR 97032; (503) 651-2130

\*\*Society of Commercial Seed Technologists, P.O. Box 1771, Fresno, CA 93717.

\*\*Sod Growers Association of Michigan, 41339 Bemis Rd., Belleville, MI 48111-9101; (313) 699-4678.

\*\*Sod Growers Association of Mid-America, 101 W. Lincoln, Peotone, IL 60468; (312) 258-6636.

## **TREES**

\*\*American Forestry Association, P.O. Box 2000, 1516 P St. NW, Washington, DC 20013; (202) 667-3300.

\*\*American Society of Consulting Arborists, 3895 Upham St., Suite 12, Wheat Ridge, CO 80033; (303) 420-9554

\*\*Council of Tree & Landscape Appraisers, 1250 I Street N.W., Suite 504, Washington, DC 20005; (202) 789-2592.

\*\*International Society of Arboriculture, P.O. Box 908, Urbana, IL 61801; (217) 328-2032.

\*\*International Society of Arboriculture, Western Chapter, 1462 Thurlene Rd., Glendale, CA 91206; (818) 246-5260.

\*\*National Arbor Day Foundation, 211 N. 12th St., Lincoln, NE 68508; (402) 474-5655

\*\*National Arborist Association,

The Meeting Place Mall, Rt. 101, P.O. Box 1094, Amherst, NH 03031; (603) 673-3311.

\*\*New York State Arborists Association, P.O. Box 58, Latham, NY; (518) 783-1322.

\*\*Ontario Shade Tree Council, 5 Shoreham Dr., North York, Ontario, CANADA M3N 1S4; (416) 794-0099.

\*\*Secret Arboretum, Ohio Agricultural Research & Development Center, Ohio State University, Wooster, OH 44691; (216) 263-3761.

\*\*Society of Municipal Arborists, R.R. 3, Box 614, Williston, ND 58801; (701) 572-6368.

## **TURFGRASS/ LAWN CARE**

\*\*American Council for Turfgrass, Soil & Crop Sciences Center, Texas A&M University, College Station, TX 77843.

\*\*Central Plains Turfgrass Foundation, Dept. of Horticulture, Kansas State University, Manhattan, KS 66506; (913) 532-6170.

\*\*Colorado Association of Lawn Care Professionals, P.O. Box 903, Parker, CO 80134; (303) 422-5733.

\*\*Delaware Turfgrass Association, University of Delaware, Plant Science Dept., Newark, DE 19711.

\*\*Florida Turfgrass Association, 302 S. Graham Ave., Orlando, FL 32803; (305) 898-6721.

\*\*Georgia Turfgrass Foundation, 4565 S. Berkeley Lake Rd., Norcross, GA 30071; (404) 447-4985.

\*\*Hawaii Turfgrass Association, P.O. Box 31003, Honolulu, HI 96820; (808) 841-3305.

\*\*Illinois Turfgrass Foundation, Inc., 230 N. Michigan Ave., Chicago, IL 60601; (312) 372-9800.

\*\*Kansas Turfgrass Foundation, Dept. of Horticulture, Waters Hall/KSU, Manhattan, KS 66506; (913) 532-6170.

\*\*The Lawn Institute, County Line Rd., P.O. Box 108, Pleasant Hill, TN 38578-0108; (615) 277-3722.

\*\*Louisiana Turfgrass Association, LSU Cooperative Extension Service, University Station, LA 70803; (504) 388-4141.

\*\*Maine Turfgrass Association, University of Maine, Deering Hall, Orono, ME 04401; (207) 581-2922.

\*\*Maryland Turfgrass Council, Inc., Box 223, White Marsh, MD 21162; (301) 255-8131.

\*\*Massachusetts Turf & Lawn Grass Council, P.O. Box 489, Hadley, MA 01035; (413) 549-5295.

\*\*Michigan Turfgrass Foundation, Michigan State University, Crop &

# PENNINGTON®

DELIVERS YOUR SEED NEEDS NATIONWIDE  
Quality Brands...Research...Production...Personal Service



**Finelawn**  
TURF TYPE TALL FESCUE **5GL**

**Finelawn 1**  
TURF TYPE TALL FESCUE

**Wrangler**  
TURF-TYPE TALL FESCUE

**TRIAD**  
TURF TYPE TALL FESCUE BLEND

**PERFECTA**  
DURABLE TALL FESCUE MIXTURE

**FLYER**  
CREEPING RED FESCUE

Call Toll Free  
**1-800-277-1412**

For additional information write  
PENNINGTON SEED, INC. Turf Dept.  
P.O. Box 290 • Madison, Georgia 30650  
DISTRIBUTION CENTERS

- |   |   |
|---|---|
| 1. Pennington Seed, Inc. of Madison<br>Madison, GA (404) 342-1234       | 6. Pennington Seed, Inc. of Louisiana<br>Hammond, LA (504) 386-7611   |
| 2. Pennington Seed, Inc. of Columbia<br>Columbia, SC (803) 771-4222     | 7. Pennington Seed, Inc. of Virginia<br>Petersburg, VA (804) 732-4769 |
| 3. Pennington Seed, Inc. of Cullman<br>Cullman, AL (205) 734-9486       | 8. Alby's<br>Jacksonville, FL (904) 721-1200                          |
| 4. Pennington Seed, Inc. of Orlando<br>Orlando, FL (407) 295-6271       | 9. Mid-South Seeds, Inc.<br>N. Little Rock, AR (501) 945-1474         |
| 5. Pennington Seed, Inc. of Greenfield<br>Greenfield, MO (417) 637-5979 |   |

#### PRODUCTION FACILITIES

- |   |  |
|---|--|
| 10. GTO-TEC, INC. Eatonton, GA            | 12. Pennington Seed, Inc. of Oregon<br>Lebanon, OR |
| 11. CACTUS SEED COMPANY, INC.<br>Roll, AZ |  |

Ask for:

**PENKOTE**  
Increased Plant Survival  
Fungus Protection  
Increased Drought Tolerance  
Less Attractive to Birds

Insure  
your stand.



**CHEYENNE**  
TURF TYPE / BERMUDAGRASS

**TRIPLE PLAY**  
ELITE PERENNIAL RYEGRASS BLEND

**Stallion**  
TURF TYPE  
PERENNIAL RYEGRASS

**SUNRISE**  
Two Forty Six

TURF TYPE PERENNIAL RYEGRASS

**Chateaub**  
PREMIUM  
KENTUCKY BLUEGRASS

**Pebble Beach**  
Perennial Ryegrass  
(Turf Type)



Soil Sciences, East Lansing, MI 48824; (517) 355-0266.

\*\*Midwest Regional Turfgrass Foundation, Dept. of Agronomy, Purdue University, West Lafayette, IN 47907; (317) 494-9737.

\*\*Minnesota Professional Lawn Care Association, 5425 Girard Ave. S, Minneapolis, MN 55419; (612) 822-7384.

\*\*Mississippi Turfgrass Association, P.O. Box 5426, Mississippi State, MS 39762; (601) 325-2311.

\*\*Musser International Turfgrass Foundation, P.O. Box 124, Sharon Center, OH 44274; (216) 239-2383.

\*\*National Turfgrass Evaluation Program, BARC-West, Bldg. 001, Room 333, Beltsville, MD 20705; (301) 344-2125.

\*\*New Jersey Turfgrass Association, Soils & Crops Dept., P.O. Box 231, Cook College, Rutgers University, New Brunswick, NJ 08903; (201) 932-9453.

\*\*New York State Turfgrass Association, P.O. Box 612, Latham, NY 12110; (800) 873-8873.

\*\*New York Turf & Landscape Association, Inc., P.O. Box 307, Scarsdale, NY 10583; (914) 636-2875.

\*\*North Carolina Turfgrass Council, P.O. Box 36160, Raleigh, NC

27606; (919) 851-2901.

\*\*North Central Turfgrass Association, P.O. Box 10444, Fargo, ND 58106; (701) 232-0215.

\*\*Northern California Turfgrass Council, 425 Oak St., Brentwood, CA 94513.

\*\*Northwest Turfgrass Association, 1367 Olympia, WA 98507; (206) 754-0825.

\*\*Ohio Lawn Care Association, 16019 Waterloo Rd., Cleveland, OH 44110; (216) 531-5446.

\*\*Ohio Turfgrass Foundation, 2021 Coffey Rd., Columbus, OH 43210; (614) 292-2601.

\*\*Pennsylvania Turfgrass Council, P.O. Box 417, Bellefonte, PA 16823; (814) 355-8010.

\*\*Professional Lawn Care Association of America, 1000 Johnson Ferry Rd. N.E., Suite C-135, Marietta, GA 30068-2112; (404) 977-5222.

\*\*Rocky Mountain Regional Turfgrass Association, P.O. Box 903, Parker, CO 80134; (303) 688-2268.

\*\*South Carolina Lawn & Turfgrass Association, Clemson University, P.O. Box 325, Clemson, SC 29633.

\*\*Southern California Turfgrass Council; 26442 Vera Cruz, Mission

Viejo, CA 92691; (714) 951-8547.

\*\*Southern Turfgrass Association, 1003 Howe, College Station, TX 77845; (409) 693-1656.

\*\*Southwest Turfgrass Association, Crop & Soils Dept., New Mexico State University, Las Cruces, NM 88003; (505) 646-3028.

\*\*Tennessee Turfgrass Association, c/o Mid-East Power Equipment Co., 533 Hagan St., Nashville, TN 37203; (615) 242-4600.

\*\*Texas Turfgrass Association, 1003 Howe, College Station, TX 77845; (409) 693-1656.

\*\*Tidewater Turfgrass Association, P.O. Box 2171, Norfolk, VA 23501.

\*\*Turf & Landscape Council, P.O. Box 7506, Ventura, CA 93006; (805) 495-2770.

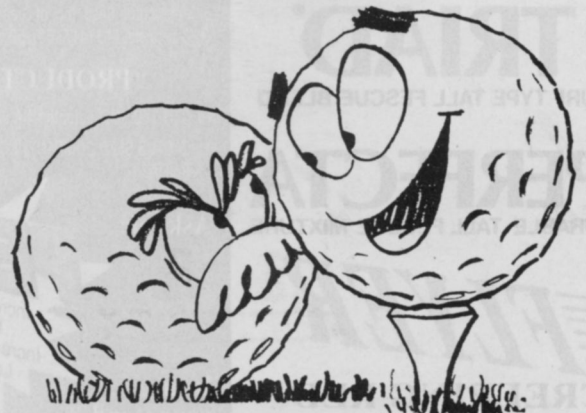
\*\*Turfgrass Council of North Carolina, P.O. Box 289, Southern Pines, NC 28388; (919) 695-1333.

\*\*Virginia Turfgrass Association, 2646 Greenland Ave. NW, Roanoke, VA 24012; (703) 362-4781.

\*\*Virginia Turfgrass Council, P.O. Box 9548, Virginia Beach, VA 23450; (804) 340-3473.

\*\*Wisconsin Turfgrass Association, Bishops Woods, Suite 104, Brookfield, WI 53005; (414) 274-6311. **LM**

# This Week, Set Aside 4 Hours And Tee It Up With An In-Law.



Get out and get to know each other. People who may have nothing much in common become uncommonly good friends on a golf course. Even in-laws.

## Golf...Share The Experience.

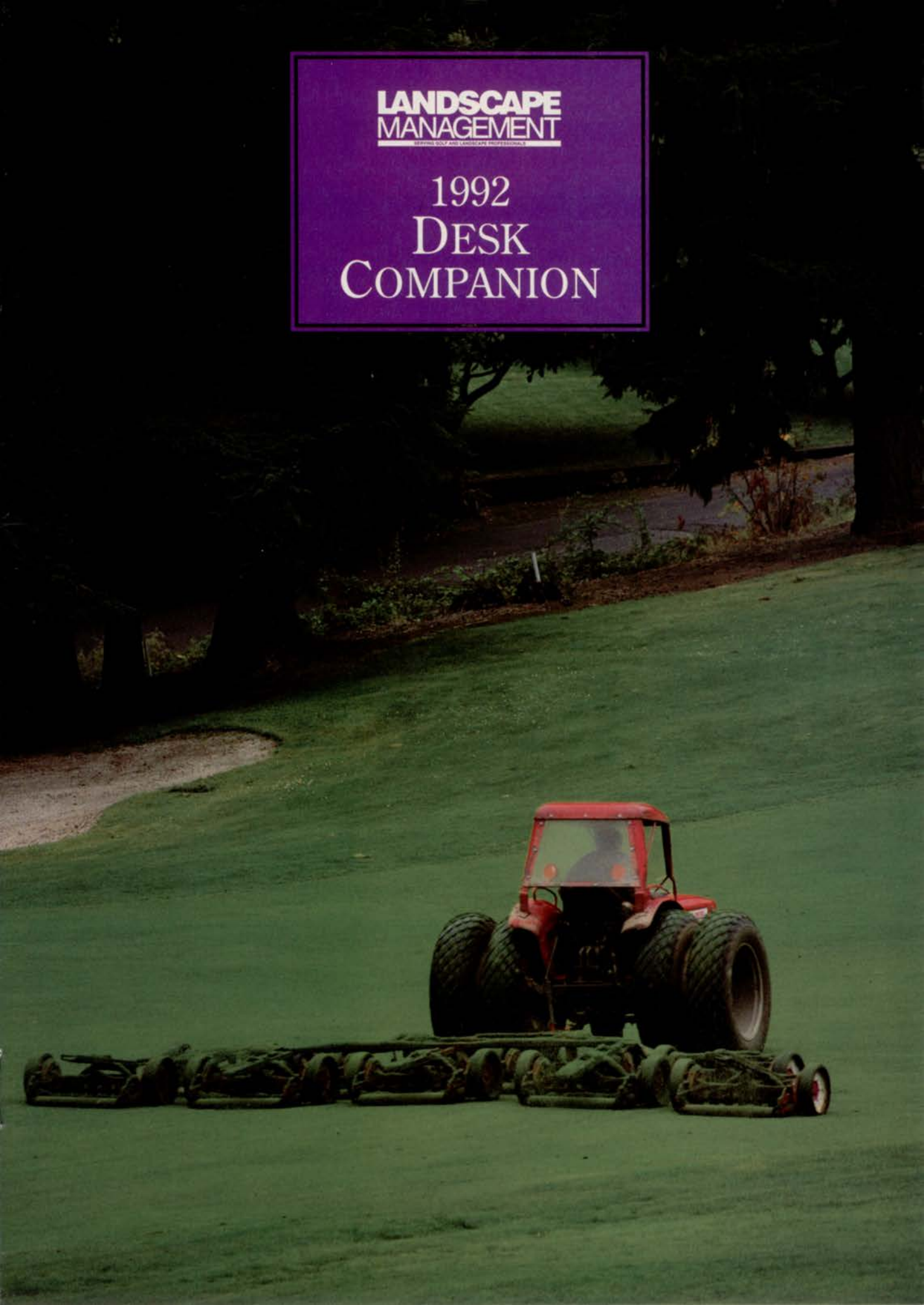


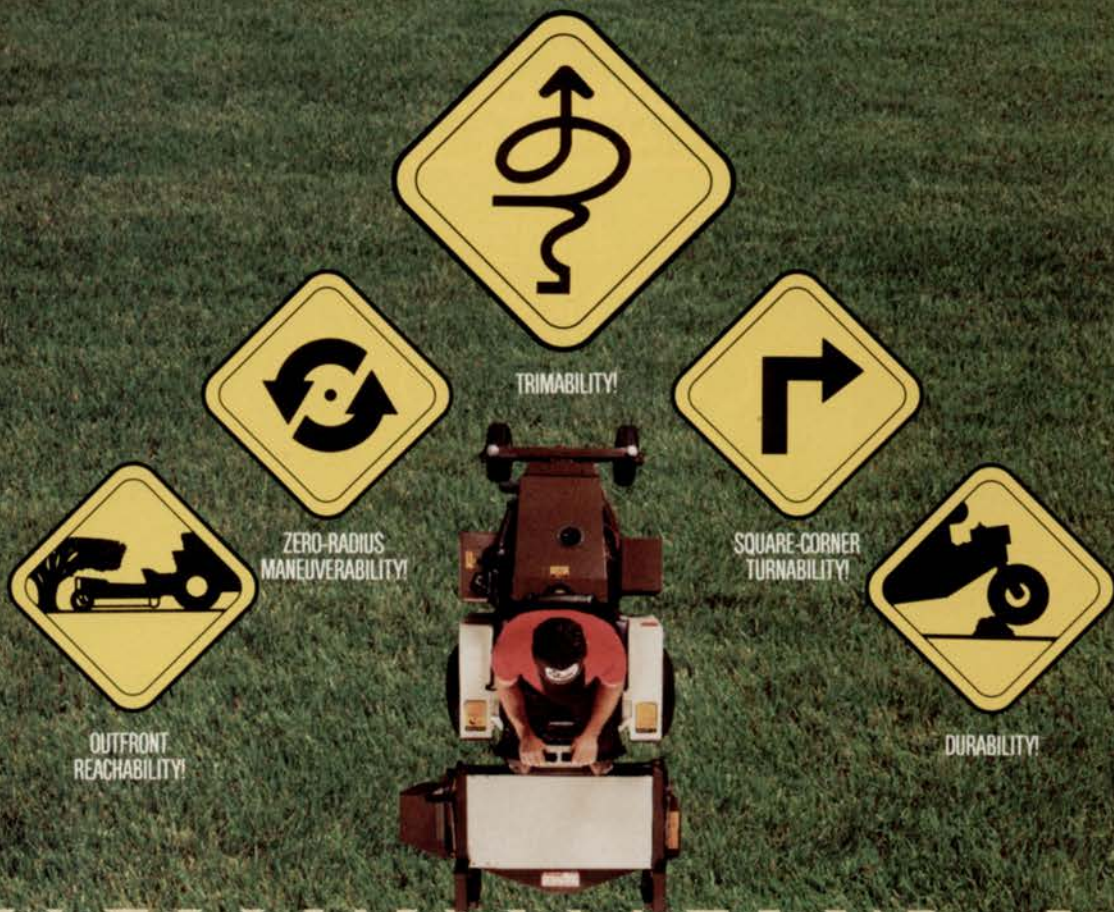
1150 SOUTH U.S. HIGHWAY ONE, JUPITER, FLORIDA 33477 • (407) 744-6006

**LANDSCAPE  
MANAGEMENT**

SERVING GOLF AND LANDSCAPE PROFESSIONALS

1992  
DESK  
COMPANION





# GRASSHOPPERABILITY!

## Make The Move That Lasts!

Once you move up to a Grasshopper, you have made a decision that will last a lifetime because you will want no other. **Grasshopperability** lets you make all the right moves for quality mowing and time-saving performance — even where other mowers can't cut it. **Comfortability** and ease of operation reduce operator fatigue. The **durability** built into each Grasshopper saves you downtime and stays with you

season after season. Advanced dual-hydrostatic direct drives, including the exclusive Gemini drive in the 700 series, require less maintenance and give extended service life. Rugged, one-piece welded unitized mainframe and heavy-duty, welded-steel deck plus fusion-bonded powder coating for a lasting finish are indicative of why Grasshopper is not only **first to finish** but **built to last**.

*The nationwide Grasshopper Dealer network offers the most complete line of front mowers in the industry. Write or call for free literature and the name of your nearest Grasshopper Dealer.*



Model 411R  
11 hp Wisconsin-Robin  
35" or 41" Deck



Models 612 & 614  
12 & 14 hp B & S  
44" - 48" Decks



Model 718  
18 hp B & S  
44" - 61" Decks



Model 719K  
18 hp Kohler  
44" - 61" Decks  
(Grasscatcher Optional)



Model 720  
20 hp Omas  
44" - 72" Decks



Model 721  
21 hp Kubota Gas  
44" - 72" Decks  
(ROPS Optional)



Model 721D  
20.9 hp Kubota Diesel  
44" - 72" Decks



Model 725  
24.5 hp Kubota Gas  
44" - 72" Decks  
(ROPS & Grasscatcher Optional)

The Grasshopper Company • One Grasshopper Trail • P.O. Box 637 • Moundridge, KS 67107 U.S.A. • Phone 316-345-8621 • FAX 316-345-2301



OUTFRONT SINCE 1970

# GRASSHOPPER®

First to Finish...Built to Last

©1991, The Grasshopper Company

Circle No. 110 on Reader Inquiry Card



# MEETING DATES 1991—1992

## 1991

- Sept. 12:** Northern California Turfgrass Council Field Day, Vallejo, Calif. (415) 516-0146 or (415) 516-1301
- Sept. 13-14:** Southwest Horticultural Trade Show, Phoenix, Ariz. (602) 966-1610
- Sept. 13-15:** Florida Nursery & Allied Trades Show (FNATS), Orlando, Fla. (407) 345-8137
- Sept. 16-19:** Northwest Turfgrass Conference, Coeur d'Alene, Ida. (206) 754-0825
- Sept. 17:** Metropolitan GCSA Field Day, Rye, N.Y. (203) 748-5069
- Sept. 17-19:** Pacific Horticultural Trade Show, San Diego, Calif. (916) 448-2881
- Sept. 20-22:** Bonsai & Orchid Expo, Raleigh, N.C. (302) 736-6781
- Sept. 23-24:** American Assn. of Nurserymen Legislative Leadership Conference, Washington, D.C. (202) 789-2900
- Oct. 3-6:** International Trade Fair for Horticulture, Frankfurt, Germany (069) 7575-6477
- Oct. 7-9:** Golf Course Europe, Wiesbaden, Germany (49-611) 527017
- Oct. 8:** Target Specialty Products Annual Fall Seminar, Riverside, Calif. (800) 352-3870 or (213) 865-9541
- Oct. 10:** Target Specialty Products Annual Fall Seminar, San Diego, Calif. (800) 237-5233 or (619) 586-1933

- Oct. 13-16:** Florida Turfgrass Annual Conference & Show, Jacksonville, Fla. (800) 882-6721 or (407) 898-6721
- Oct. 14-17:** California Association of Nurserymen Annual Convention, Santa Barbara, Calif. (916) 448-2881
- Oct. 15:** Target Specialty Products Annual Fall Seminar, Sacramento, Calif. (714) 821-9020
- Oct. 15-17:** Hawaiian Mid-Pacific Horticultural Trade Show, Hilo, Hawaii (808) 833-3369
- Oct. 15-17:** Kentucky Turfgrass Council Conference, Owensboro, Ky. (606) 622-2228
- Oct. 17-19:** American Society of Consulting Arborists Annual Meeting, Albuquerque, N.M. (303) 420-9554
- Oct. 17-21:** Congress for Recreation & Parks, Baltimore, Md. (703) 820-4940
- Oct. 19-22:** American Society of Landscape Architects Annual Meeting, Kansas City, Mo. (202) 686-2752
- Oct. 27-Nov. 1:** American Society of Agronomy, Soil Science Society of America annual meetings, Denver, Colo. (608) 273-8080
- Oct. 29-31:** Atlantic Seedsmen's Annual Convention, State College, Pa. (814) 237-0330
- Nov. 3:** American Seed Tradesmen's Lawn Seed Conference, Kansas City, Mo. (202) 233-4080
- Nov. 3-5:** Georgia Golf Course Superintendents Annual Meeting, (404) 769-4076
- Nov. 5-6:** Indiana Lawn Care Conference, Indianapolis, Ind. (317) 575-9010
- Nov. 5-7:** Clemson Turfgrass Conference, Greenville, S.C. (800) 476-4272
- Nov. 5-8:** New York State Turf and Grounds Expo, Rochester, N.Y. (800) 873-8873 or (518) 783-1229.

- Nov. 8:** Consulting Arboriculture Short Course, Denver, Colo. (303) 420-9554
- Nov. 10-13:** International Irrigation Expo, San Antonio, Tex. (703) 524-1200
- Nov. 11-13:** Penn State Golf Turf Conference, University Park, Pa. (814) 863-3475
- Nov. 12-14:** Kansas Turfgrass Conference, Topeka, Kans. (913) 532-6170
- Nov. 16-19:** Southern Turfgrass Association Conference, Memphis, Tenn. (409) 693-1656.
- Nov. 17-21:** Green Industry Expo, Tampa, Fla. (404) 973-2019
- Nov. 19-20:** Southern Grounds & Turf Maintenance Expo, Myrtle Beach, S.C. (803) 737-9355
- Nov. 19-20:** North Carolina Irrigation Conference, Raleigh, N.C. (919) 737-2675
- Dec. 2-4:** Rocky Mountain Turf Conference, Denver, Colo. (303) 688-3440
- Dec. 3-4:** North Central Turfgrass Expo, St. Charles, Ill. (312) 644-0828
- Dec. 3-5:** Missouri Lawn and Turf Conference, Columbia, Mo. (314) 882-4087
- Dec. 5-7:** Tree Care Industry Expo '91, Columbus, Ohio (603) 673-3311
- Dec. 7-11:** Texas Turfgrass Association Conference, Fort Worth, Texas (409) 693-1656
- Dec. 9-11:** Canadian Turfgrass Conference, Toronto, Ontario, Canada (416) 249-7304

## 1992

- Jan. 4-6:** Mid-Atlantic Nurserymen's Trade Show, Baltimore, Md. (301) 256-6474
- Jan. 6-8:** Nebraska Turfgrass Conference, Omaha, Neb. (402) 463-5418
- Jan. 6-8:** Turfgrass '92, Baltimore, Md. (301) 335-3700
- Jan. 7-9:** Ontario Turfgrass Symposium, Ontario, Canada (519) 824-4120
- Jan. 7-10:** Eastern Pennsylvania Turf Conference, King of Prussia, Pa. (814) 863-3475
- Jan. 8-10:** North Carolina Turfgrass Conference, Charlotte, N.C. (919) 695-1333
- Jan. 8-10:** Eastern Regional Nurserymen's Convention, Kiamesha Lake, N.Y. (203) 872-2095
- Jan. 9-10:** New Hampshire Turf Conference, Manchester, N.H. (603) 862-3202
- Jan. 9-11:** Washington State Nurserymen's Annual Convention, Seattle, Wash. (206) 863-4482 or (206) 863-6732
- Jan. 15:** Professional Turf & Landscape Conference, White Plains, N.Y. (914) 636-2875
- Jan. 15-17:** Utah Green Industry Conference, Salt Lake City, Utah (801) 487-4131
- Jan. 19-21:** Empire State Tree Conference, Albany, N.Y. (518) 783-1322
- Jan. 20-22:** Michigan Turfgrass Conference, Lansing, Mich. (517) 353-9022
- Jan. 20-22:** Iowa Turfgrass Conference, Des Moines, Ia. (515) 294-0027

- Jan. 20-23:** Central Environmental Nursery Trade Show (CENTS), Columbus, Ohio (800) 825-5062 or (614) 431-2452
- Jan. 21-23:** Midwest Regional Turf Conference, Indianapolis, Ind. (317) 494-4785
- Jan. 21-23:** National Tropical Foliage Short Course, Ft. Lauderdale, Fla. (407) 886-1036
- Jan. 21-23:** Landscape Ontario Congress '92, Hamilton, Ontario, Canada (416) 629-1184
- Jan. 24-25:** Georgia Green Industry Association Conference, College Park, Ga. (404) 492-4664
- Jan. 26-29:** Associated Landscape Contractors of America Executive Forum, Naples, Fla. (703) 241-4004
- Jan. 29-30:** Northern California Turf and Landscape Expo, Santa Clara, Calif. (415) 516-0146
- Jan. 31-Feb. 2:** National Landscape Association Management Clinic, Louisville, Ky. (202) 789-2900
- Feb. 3-5:** Mid-America Green Industry Convention (MAGIC), Kansas City, Mo. (816) 765-7616
- Feb. 4:** Target Specialty Products Annual Seminar, Fresno, Calif. (800) 827-4389 or (209) 291-7740
- Feb. 7:** Target Specialty Products Annual Seminar, San Jose, Calif. (408) 293-6032 or (800) 767-0719
- Feb. 10-13:** Pennsylvania Nurserymen's and Allied Industries Conference, Hershey, Pa. (814) 865-8301
- Feb. 10-17:** International Golf Course Conference and Show, New Orleans, La. (913) 841-2240
- Feb. 11:** Target Specialty Products Annual Seminar, Phoenix, Ariz. (800) 352-5548 or (602) 437-4642
- Feb. 13-14:** Target Specialty Products Annual Seminar, Buena Park, Calif. (800) 352-3870 or (213) 865-9541

- Feb. 18-23:** National Arborists Association Annual Meeting, Scottsdale, Ariz. (603) 673-3311
- Feb. 25-27:** Western Pennsylvania Turf Conference, Monroeville, Pa. (814) 863-3475
- Feb. 25-27:** Illinois Landscape Contractors Winter Seminar, Chicago, Ill. (708) 932-8443
- Feb. 27-28:** Colorado Landscape Industry Conference, Denver, Colo. (303) 757-5611
- Feb. 29-Mar. 1:** Tampa Bay Horticultural Trade Show, Tampa, Fla. (813) 920-4393
- May 8:** Target Specialty Products Field Day, Tempe, Ariz. (800) 352-5548 or (602) 437-4642
- March 10-13:** Missouri Parks & Recreation Conference, (314) 636-3828
- June 14-17:** American Association of Botanical Gardens & Arboreta Annual Meeting, Columbus, Ohio (216) 256-1110
- June 18:** Turf Seed Field Day, Hubbard, Ore. (503) 981-9571
- July 17-18:** New World Flora '92, Columbus, Ohio (407) 886-1036
- July 24-26:** Tree and Shrub Insect and Disease Seminar, Ithaca, N.Y. (518) 783-1322
- July 26-31:** Perennial Plant Symposium, Cleveland, Ohio (614) 771-8431
- July 31-Aug. 2:** Tree and Shrub Insect and Disease Seminar, Ithaca, N.Y. (518) 783-1322
- Aug. 7-9:** TAN-MISLARK Regional Nursery & Garden Supply Show, Houston, Tex. (512) 280-5182
- Aug. 13-15:** Northeastern New York Nursery Tour, Mass. & R.I. (518) 783-1322

# LANDSCAPE MANAGEMENT

## KEY NATIONAL PROFESSIONAL ORGANIZATIONS

# ALCA

**Associated Landscape Contractors of America**, 405 N. Washington St., Falls Church, VA 22046; (703) 241-4004. Debra Dennis, executive director.

**American Sod Producers Association**, 1855-A Hicks Rd., Rolling Meadows, IL 60008; (708) 705-9898. Douglas Fender, executive director.

**International Society of Arboriculture**, P.O. Box 908, Urbana, IL 61801; (217) 328-2032.



**Golf Course Superintendents Association of America**, 1421 Research Park Dr., Lawrence, KS 66049-3859; (913) 841-2240. John Schilling, executive director

**International Turfgrass Society**, Crop & Soil Environmental Sciences, VPI-SU, Blacksburg, VA 24061-0403; (703) 231-9796. Dr. Richard Schmidt, secretary/treasurer.

**National Arborist Association**, The Meeting Place Mall, P.O. Box 1094, Amherst, NH 03031-1094; (603) 673-3311. Robert Felix, executive director.

**National Golf Foundation**, 1150 South U.S. Highway One, Jupiter, FL 33477; (407) 744-6006. Joseph Beditz, president.

## THE WALKER TOUCH



**The Perfect Touch** Many operators are finding the mid-size Walker Mower is the perfect size for their jobs – a compact, maneuverable tractor for small areas, combined with open space productivity of a rider, saves time.

**The "Midas" Touch** Walker Mowers are moneymakers; one owner explained why he was buying a second Walker, "The first one made me money – I like to make money."

**The Finishing Touch** To please the most discriminating customer, Walker delivers a beautiful mowing job and with the exclusive GHS grass collection option, the turf is vacuumed clean and manicured.

*Ride a Walker*

### The Mid-Size Walker Line

- 3 tractor models from 11-21 HP with gas or diesel engines
- 3 mower deck sizes 36"-54" with grass collection, side discharge or mulching available
- 3 front mounted implements: snowblower, rotary broom and dozer blade
- 3 year warranty on maintenance free hydrostatic wheel drive

WALKER MFG. CO. • 5925 E. HARMONY RD., FORT COLLINS, CO 80525 • (303) 221-5614

# PGMS

**Professional Grounds Management Society**, 10402 Ridgland Rd., Suite 4, Cockeysville, MD 21030; (301) 667-1833. Allan Shulder, executive director.



**Professional Lawn Care Association of America**, 1000 Johnson Ferry Rd., NE, Suite C-135, Marietta, GA 30068-2112; (404) 977-5222. Ann McClure, executive vice-president.

**Responsible Industry for a Sound Environment**, 1155 15th St. NW, Washington, D.C. 20005; (202) 296-6085. Allen James, executive director.



**Sports Turf Managers Association**, P.O. Box 98056, Las Vegas, NV 89193-8056; (702) 739-8052. Dale Keller, executive director.

*For all your business and  
technical needs, read  
LANDSCAPE MANAGEMENT  
every month.*