

"Now is not the time to go it alone."

"If you're like so many other lawn care companies, you have more than crab-grass to contend with. Sure, your sales are up—but so are your problems. Cash flow worries. The need for more employee training. The threat of growing regulation. The exploding costs of insurance and health benefits. These are only a few of the realities of running a lawn care business in the '80s.

That's where the Professional Lawn Care Association of America can help. PLCAA is the ProSource for over 1,000 businesses, large and small. PLCAA provides the benefits and resources you need regardless of the size of your company. Find out for yourself what so many other lawn care businesses have discovered, that PLCAA membership doesn't cost—it pays!"

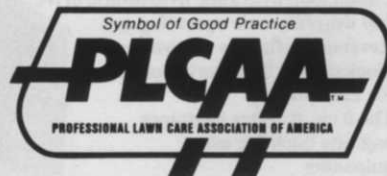
JAMES R. BROOKS

Executive Vice President,
Professional Lawn Care
Association of America

Check the PLCAA benefits...

- Technical Resource Manual**—Our 110-page resource guide for running a cost-effective, professional lawn care service.
- PLCAA Safety Manual**—A step-by-step guide for training applicators and technicians.
- Management Monograph Publications**—Booklets that cover critical business subjects like getting a loan, developing a marketing plan, hiring and firing practices, and more.
- Group insurance and health care**—PLCAA offers health and life insurance plans for companies with as few as two employees—and at attractive group rates.
- Collection services**—A results-producing collection service to help members with slow-paying accounts.
- Audio-visual training programs**—Comprehensive, inexpensive video and slide programs for in-house training of your employees. Current subjects include insect and weed identification, turf diseases, and pesticide handling, with additional topics under development.
- Regional seminars**—Each year PLCAA brings the latest in management and technical training, plus equipment demonstrations, direct to a location near you.
- Annual Conference and Show**—Exhibits, educational sessions, workshops, and an outdoor equipment demonstration are just a few features of PLCAA's popular annual gathering of lawn care professionals.
- Exclusive publications**—Stay current with *Turf Talks*, PLCAA's bi-monthly newsletter. Members also keep in touch with tax, labor, financial and regulatory information through our periodicals, the *Legal Update* and *Environmental Update* bulletins.

And that's only part of the advantages PLCAA members enjoy. If you want to know more, just drop the coupon below in the mail, or give us a call at toll-free 1-800-458-3466.



I'm interested...tell me more!

NAME _____

ADDRESS _____

CITY _____ STATE _____ ZIP _____

PHONE (____) _____

FILL OUT AND MAIL TO:

James R. Brooks
Professional Lawn Care Association of America
1225 Johnson Ferry Rd., NE, Suite B 220,
Marietta, GA 30068

Reducing liability from golf cart injuries

by James Leatzow, president, Leatzow & Associates

In this modern age it seems as though we take too many things for granted. Golf carts, as innocent as they may seem, are an example. These small, wheeled, mobile recreational vehicles hold the potential for significant lawsuits in today's litigious society.

If an accident occurs involving a cart, it's likely that the injured party will allege it was poorly maintained. Unfortunately, it's up to the owner/operator to prove that the vehicle had been properly maintained and serviced. To prove this, you must be able to provide bona fide maintenance records as well as some form of formalized procedure manual covering the scope and frequency of the work performed to the golf cart in question.

You will help your case immeasurably by requesting a cart's maintenance procedures when you buy it. You should then follow its scheduled

maintenance to the letter. However, all of this effort is of little or no value unless you document and file records showing it—which should be standard procedure for virtually all golf course equipment.

Essential maintenance

Make sure that tires have enough tread to keep the cart from sliding on a slick or wet surface. Its pedals should be equipped with a rubber pad. Routine inspections should include checking for loose bolts, sharp objects and broken or missing parts—all of which could injure someone during a sudden stop or on rough terrain. Likewise, if the cart has shock absorbers to reduce its sway or roll, follow the manufacturer's maintenance instructions carefully.

It is also very important to replace safety placards on the carts. Though these stickers will be scratched and marred over time, it's still your re-

sponsibility to make sure they can be read at all times.

There are other dangerous exposures that aren't attributable to the cart itself. For instance, a cart path that passes by a steep incline with no safety fencing may lead to an accident. It is very important to make certain that cart paths and other areas where carts may be used are safe and free from dangerous situations. Golf cart paths that are properly maintained go a long way to show that your operations meet the test of safety and care for public health and welfare.

Posting terrain

If the golf course you are designing or involved with has terrain that might be dangerous for the typical cart user, make sure they fully understand all exposures. During the rental process, have them sign a readable, printed form that states they will be the only operator of the cart, that they understand the terrain might be dangerous if the golf cart is not used properly and that alcohol and other drugs will impair their judgement and ability to operate the equipment.

Obviously, there are no foolproof precautions you can take, but you should be interested in trying to educate the routine user about the potential dangers of golf cart use.

Remember that if you are drawn into court because of an alleged injury, the burden is on you to show that your carts and environment are safe and that all common sense dangerous exposures have been addressed to prevent injury. Anything short of that can ultimately lead to a large payout against your professional or general liability policy. **LM**

The Brouwer Trash-Pik™

The Trash-Pik™ is the innovative method for picking up litter at municipal locations, theme parks, airports, shopping malls, car parks and such places.

Some outstanding features:

- 18 h.p. two cylinder Kohler gas engine
- Closed loop hydraulic hydrostatic drive
- 200 degree nozzle operating arc
- Reverse air-flow to remove hose blockages or blow leaves or litter for easy pick-up
- The 8 cu. ft. litter container bag tilts back for easy unloading
- Heavy-duty, corrosion free fibre-glass body



Solve your litter collection problems, fast, efficiently.

Call your Brouwer dealer for more information or a demonstration...TODAY.

Woodbine Ave., Keswick,
Ont., Canada L4P 3E9
Tel. (416) 476-4311
Fax. (416) 476-5867

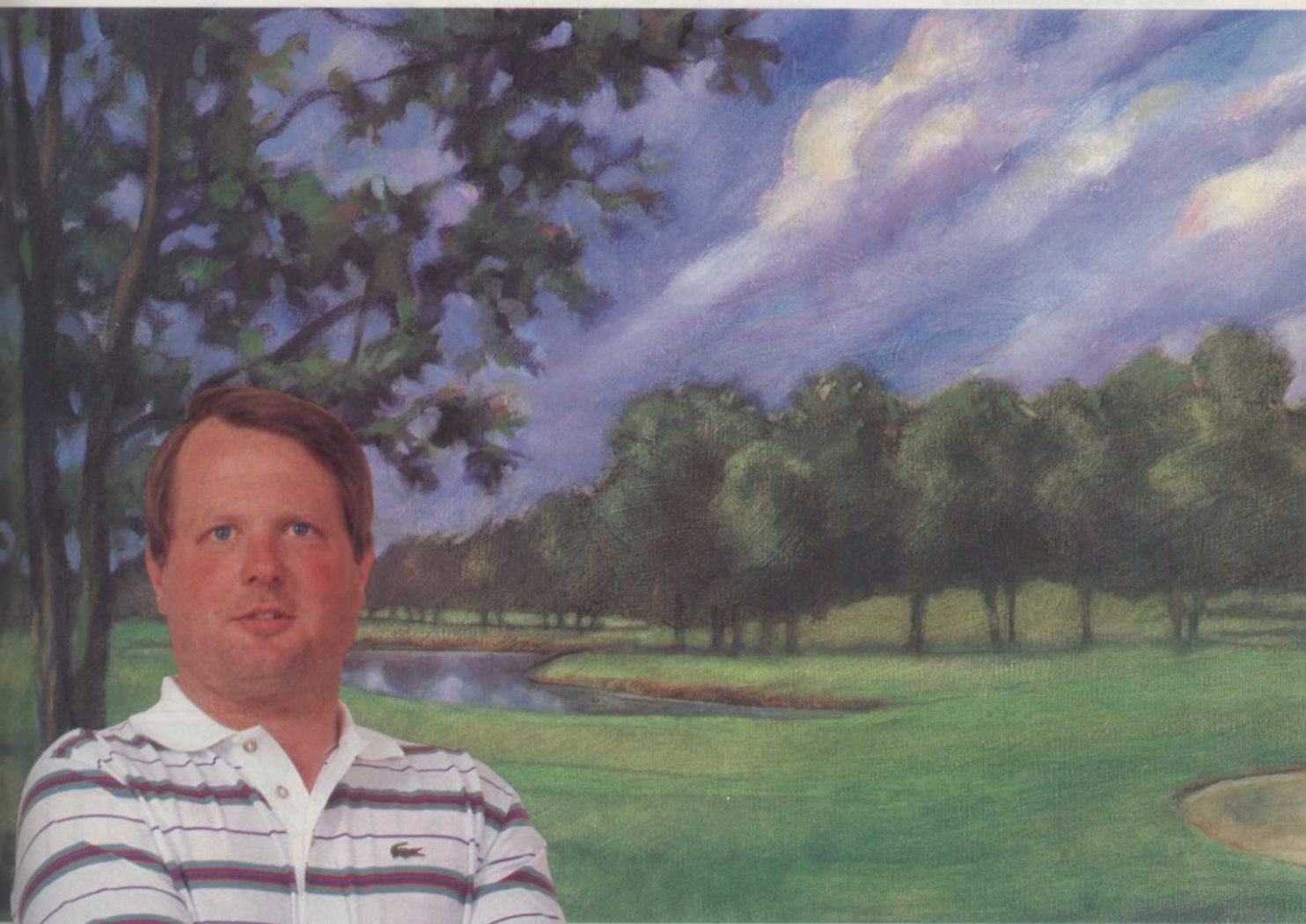
BROUWER™
TURF EQUIPMENT LIMITED
An Outboard Marine Corporation Company

7320 Haggerty Rd.,
Canton, MI. 48187
Tel. (313) 459-3700
Fax. (313) 459-8778



James Leatzow is president of Leatzow & Associates, Glen Ellyn, Ill. He specializes in green industry matters.

“On a busy day we’ll handle more than 500 golfers.
That’s when we really see the value
of Lebanon quality in action.”



The 5th Hole, Sandpiper Course, Spring Lake Golf Course, Middle Island, NY

Donald Amsler
Golf Course
Superintendent

There's no margin for error on a heavy-traffic course. Which is one reason why more golf course superintendents depend on the premium quality of Lebanon Country Club Turf Products.

Our homogeneous fertilizers are formulated with time-proven methylene ureas. So every granule delivers a constant, predictable release of plant food—giving you quick green-up, consistent growth and color *and* a residual base you can build on year after year.

For more information on our complete line of products, contact your local Lebanon distributor today. Or call our Greenline at 1-800-233-0628 or 717-273-1685.

Circle No. 139 on Reader Inquiry Card

MEMBER OF



Lebanon
TOTAL TURF CARE

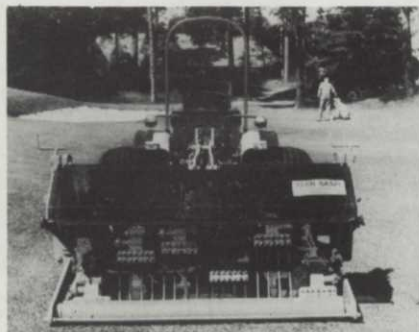
A division of Lebanon Chemical Corporation
P.O. Box 180 • Lebanon, PA 17042

PRODUCTS

Deep-tine machines debut at GCSAA

The model 105.145 Verti-Drain Deep Tined Aerator is one of three new models introduced at the recent GCSAA show. Verti-Drain reports that its deep aerators have proven successful in alleviating the most difficult soil compaction problems, going more than twice the depth than other available aerators.

The Verti-Drain units are powered by the PTO of a category 1 or 2 tractor, and are capable of aerating up to four acres a day. Verti-Drain continuously drives solid or hollow coring tines into the soil to depths ranging from two to



sixteen inches. Tines pivot back and forth, causing a "lifting" effect in the soil, and combines penetration through the soil pan for vertical drainage with the shattering effect of the compacted layers for thorough aeration.

Circle No. 200 on Reader Inquiry Card

Power-take-off mowers for quality

Brouwer reports that its new transportable PTO-driven mowers give a fine, quality cut regardless of weather conditions. The standard Brouwer mowers with fixed mowing units give reliable and economic service, and can go the distance on long, tough grass.

Brouwer says the Fairway models have a unique floating mowing unit design that delivers an outstanding, quality cut, even in wet weather. All mowers are equipped with positive height of cut adjustment and optional quick height adjusters.

They are available in three-, five- and seven-gang units, manual or hydraulic lift and a choice of four- to



eight-blade reels.

Circle No. 201 on Reader Inquiry Card

Nematode control product approved

A new product for control of plant pathogenic nematodes is called ClandoSan, from Igene Biotechnology, Inc.

ClandoSan has been given EPA unrestricted use approval for all crops, turf and ornamentals.

ClandoSan, reports Igene, is completely safe, non-toxic and non-soluble and its mode of action is indirect. ClandoSan is composed primarily of

We've got your



Sonar® covers your ponds against weeds.

Sonar cleans your ponds and lakes of problem weeds such as milfoil, duckweed, hydrilla, waterlily and pondweed for one year or longer.

And Sonar won't harm the environment. No restrictions on swimming, fishing or drinking after application. Its selective control allows desirable vegetation to establish itself as habitat for water life.

Circle No. 126 on Reader Inquiry Card



Team™ covers your course against weeds.

Team preemergence herbicide lets you take a season-long vacation from weeds with split applications. Controls tough weeds such as crabgrass, goosegrass and suppresses oxalis and spurge. Without harming your turfgrass—even sensitive bentgrass.

You can either spread it straight in granular form. Or spread it on fertilizer available from leading formulators.

Find out more. See your Elanco distributor. Or call toll-free: 1-800-352-6776.

chitin, which is derived from shellfish waste through a patented process. The chitin stimulates normal soil micro-organisms to produce enzymes, which destroy the nematodes and their eggs.

Circle No. 202 on Reader Inquiry Card.

Total turf aerator proven in field

Salsco has introduced the TTA-550 Total Turf Aerator, which brings together the proven technology of the



TTA-60-24 aerator and a comfortably efficient riding unit.

Powered by a 20-hp Kohler engine,

the TTA is described as ideal for greens, tees, fairways, sports fields and other large turf areas. Variable core spacing from one to six inches enables the TTA-550 to aerate more than 60,000 sq. ft. per hour.

Tines are raised and lowered hydraulically and are driven by Salsco's patented "Camshaft Free-Floating Tine System." Hole spacing can be adjusted without stopping the machine.

Circle No. 203 on Reader Inquiry Card

High-rotation sprinkler quick, covers lightly

Hunter Industries has introduced the I-42 sprinkler, designed "for irrigation situations where a fast, light application of water is desired."

The gear-driven model can be used for syringing golf greens and lightly irrigating clay tennis courts, skinned baseball diamonds and horse race tracks. According to Hunter, the sprinkler also works well to control frost.

Its 4-inch pop-up stroke incorpo-

rates all the standard features of Hunter's Institutional Series, including a safety-cushioned rubber cover, locking body cap, and slip clutch pro-



ected drive system. An interchangeable nozzle-stator set supplied with each sprinkler allows the discharge rate to be adjusted from 6.5 gpm to 25.8 gpm. The I-42 is available in 17

course covered.



Surflan® covers your ornamentals against weeds and grasses.

Spray Surflan directly over the top of your ornamentals. Without fear of injury.

It controls over 50 different weeds before they start, including crabgrass, oxalis, chickweed and prostrate knotweed. All season. For less than \$3.00/1,000 sq. ft. Compare that to handweeding labor costs of \$30-\$50 for the same area.



Rubigan® covers your course against dollar spot, anthracnose and patch diseases.

Fusarium blight. Necrotic ring spot. Summer patch. Take-all patch. Spring dead spot. All patch diseases are difficult to tell apart, difficult to control.

Only Rubigan is labeled to prevent and treat all five. Not to mention nine other common turfgrass fungal diseases. So why take chances controlling only part of the patch disease problem? Rubigan gets them all.

fixed arcs of coverage and a full circle.
Circle No. 204 on Reader Inquiry Card

Colorful shrubs introduced for '89

Hines Nurseries has introduced five shrub varieties for the upcoming season.

Hines Gold is a cultivar selection of the popular evergreen shrub, Gold Spot Euonymus. It features pure yellow-gold leaves bordered with dark green margins.

Moon Bay (*Nandina domestica*) is globular in form, well-groomed and bright lime green color that matures to medium green.

Hines' Brazilian fuchsia (*Justicia rizzinii*) is a herbaceous evergreen covered with drooping tubular, one-inch flowers that are bright red and tipped with yellow.

Japanese Beauty Berry is a deciduous mounded shrub with arching branches, growing to as high as six feet. Metallic-purple fruit forms in late summer and remains in fall and winter.

The Duck Plant is named for its papery, duck-like seed pods. Narrow curved flowers measure about an inch in length and bloom a bright brick red from January to June, followed by the pale green inflated seed pods.

It grows to a maximum height of six feet.

Circle No. 205 on Reader Inquiry Card

Line-striper is self-propelled

The All-Pro is a new self-propelled line striper designed exclusively for athletic field marking. Newstripe reports the product's design enables you to line your field up to four times faster than current models.

Capacity is 12 gallons, enough for an average size football field. A 3-hp, air-cooled engine powers the All-Pro along its 26" X 20" wheel base. Four



interchangeable nozzles are available. Paint flow is controlled by a spring-loaded valve and hand lever.
Circle No. 206 on Reader Inquiry Card

Foam marker now for the turf market

A.D.J.A. Industries of Salt Lake City has designed a foam marking system specifically for the turf market to avoid overlaps and misses. No pumps or compressors are involved, thanks to a pre-charged cannister.



A solid state control unit sets spacing and mark length.

Circle No. 207 on Reader Inquiry Card

Outstanding durability.

Exmark's complete line of tough 21" mowers is better by design. Like every Exmark mower, these 21's are engineered, built and tested to endure years of rigorous commercial use. They stand up to the demands of 72-hour work weeks. Exmark guarantees it — with our two-year limited warranty.* For more information or the dealer nearest you, call today: **402-223-4010**.

*Engines warranted separately.



The mark of excellence in professional turf care equipment.

When you demand durability, demand Exmark.

eXmark
MFG. CO. INC.

EXMARK MFG. CO. INC. BOX 748 BEATRICE, NE 68310

Circle No. 127 on Reader Inquiry Card

IF YOU COULD PAY TWENTY BUCKS TO LIVE TWO YEARS LONGER, WOULD YOU?

©1988, Teledyne Total Power

Of course.

Yet that's pretty much the additional cost for an engine that outlives all others of its generation.

The Wisconsin Robin.

We've designed important components, like the automatic decompression system, with fewer moving parts. And greater

size per part. Making the engine much better equipped to endure hardships, tribulations, and stresses without coming to an untimely end.

So in your search for equipment, make sure it has a Wisconsin Robin engine. And enjoy two extra years or so of productive, powerful life before you

have to shell out several hundred dollars for a new engine.

For an extra twenty bucks, it'll seem like an eternity.



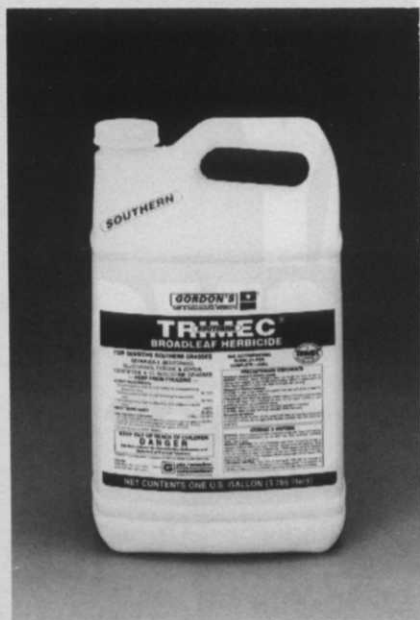
Wisconsin Robin

More power to you.

Circle No. 168 on Reader Inquiry Card

Herbicide available for many grasses

PBI/Gordon Corp. has introduced Trimec Southern, a broadleaf herbicide for use on Bermudagrass, cen-



tipede and St. Augustinegrass as well as zoysia, fescue and other turfgrasses.

The company says Trimec South-

ern is formulated as a high performance, post-emergence weed control treatment for 2,4-D sensitive grasses. At the recommended rate, one gallon covers up to eight acres of St. Augustine or centipedegrass at a material cost as low as \$4 per acre, based on 1988 end user pricing. Cost and dosage for Bermudagrass are slightly higher. **Circle No. 208 on Reader Inquiry Card**

Mower attachments can carry it all

Lawrence, Inc. has designed a new generation of rugged yet lightweight attachments for front-mount mowers



and tractors with category 1, 3-point hitches.

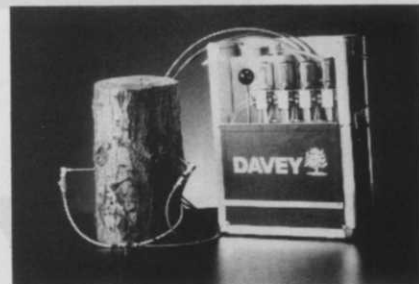
You only need five minutes to change from a tote platform for transporting shrubs or fertilizer to a 12-cubic foot Hooper for hauling bark or debris.

Additionally the line offers an aluminum Hopper, Scoop and Tool Organizer along with a steel Fork Set and Tote Platform Bracket Kit. Quick release pins make for one-man installation.

Circle No. 209 on Reader Inquiry Card

Tree injector is safe, accurate, easy-to-use

The Davey Tree Expert Co. has developed a new four-point, CO₂-powered system to inject trees. The system is presently used in the utility and municipal arborcare market for injection of tree growth regulators. The injection system and material reservoir are self-contained in one easily-transported case. Features include minimal injection time, no manual filling or measuring for each hole, a closed system, reduction of daily cleaning and immediate priming system. Cylinders are easily adjustable for dif-



ferent injection rates.

Circle No. 210 on Reader Inquiry Card

LOAD YOUR TRUCKS SUPER FAST

8-BTL MODEL MI-T-VAC® SWING-MOUNT TRUCK LOADER

- 1750 cfm (free vacuum) force
- 8 HP I/C Briggs engine
- 8-blade cast magnesium heat treated impeller
- Swings to load, unload or drop tailgate



• Venting not required



MI-T-VAC®

ATWATER STRONG

P.O. Box 1108 • Akron, OH 44309
(216) 947-2344 • FAX 1-216-633-8701

Circle No. 176 on Reader Inquiry Card

New concept for pH meter-users

Cardy is a new, compact pH meter which provides quick, digital pH readings. Soil samples are placed on a flat sensor pad, which is a glass electrode system, with three or four drops of deionized/distilled water.

The Cardy liquid crystal reads 0-14 pH with a repeatability of plus or minus 1 pH.



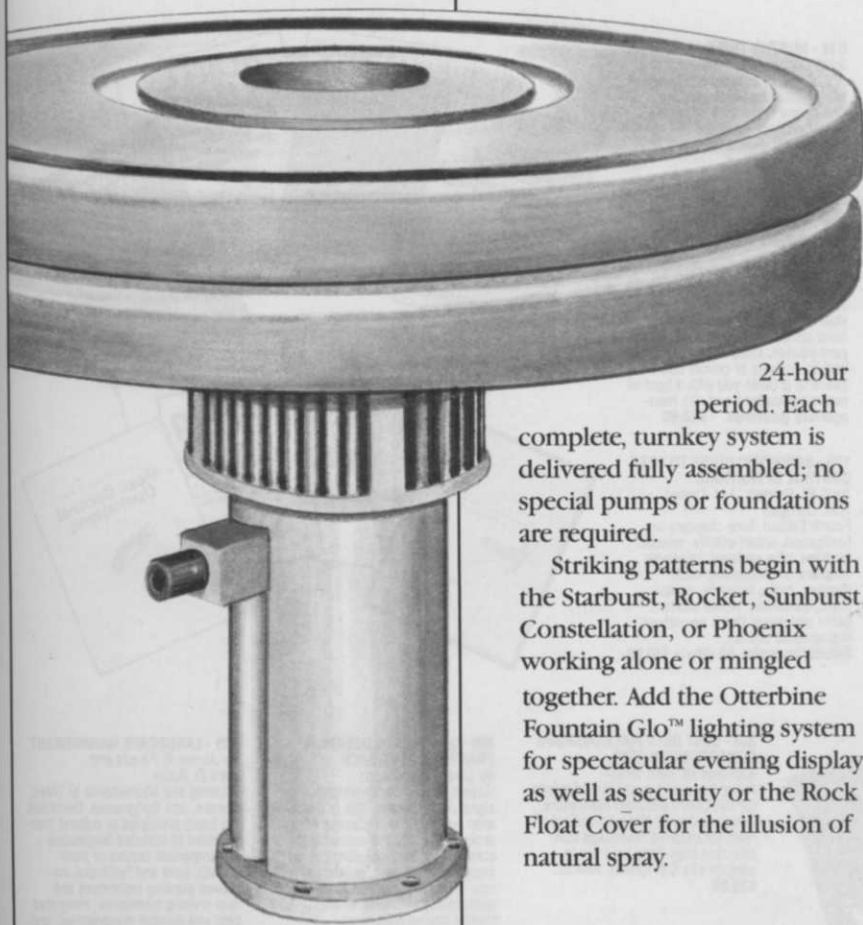
Circle No. 211 on Reader Inquiry Card

Troubled waters?

Otterbine Aerators

The prescription for troubled breathing, poor circulation, and changing temperatures in ponds and lakes is practical engineering that is esthetically pleasing.

These aerators range in power, circulating from 600,000 to 20 million gallons of water in a



24-hour period. Each

complete, turnkey system is delivered fully assembled; no special pumps or foundations are required.

Striking patterns begin with the Starburst, Rocket, Sunburst, Constellation, or Phoenix working alone or mingled together. Add the Otterbine Fountain Glo™ lighting system for spectacular evening display as well as security or the Rock Float Cover for the illusion of natural spray.

Otterbine Aerators meet the water management needs of golf courses, parks, recreational lakes, office developments, and residential condominiums. Call or write for more information:

Barebo Inc.
R.D. 2, P.O. Box 217
Emmaus, PA 18049

215/965-6018



BOOKSTORE



010 - ADVANCES IN TURFGRASS PATHOLOGY
by Joyner and Larsen
Leading U.S. turf pathologists report on turfgrass diseases, pythium blight, snow molds, fairy rings, leaf spot of Kentucky bluegrass in Minnesota, initial and field fungicide screening, turfgrass disease resistance, etc. Contains new ideas on how to combat turfgrass problems. \$27.95

235 - LAWN CARE: A HANDBOOK FOR PROFESSIONALS
by H. Decker, J. Decker
Written by turfgrass professionals, this handy guide will be invaluable for playing field managers, golf course managers, or any lawn care practitioner. Covers all aspects of turfgrass management. \$36.00

645 - MANAGEMENT OF TURFGRASS DISEASES
by J.M. Vargas
Identifies turfgrass diseases by description and illustration. Includes a holistic approach to healthy turf and lawns. Presents practical management strategies for golf courses, lawns and athletic fields. 204 pages, illustrated. \$26.70

620 - TURF MANAGEMENT HANDBOOK
by Howard Sprague
Practical guide to turf care under both healthy and poor turf conditions. Chapters cover turf in cooler and warmer regions, fertilizer use, regular turf care, weed and disease control and special turf problems. Useful seasonal schedules for management of turf areas. \$25.25

220 - CONTROLLING TURFGRASS PESTS
by Shurtleff, Fermanian, Randell
New comprehensive guide provides the most up-to-date information available on the identification, biology, control and management of every type of turfgrass pest. \$36.00

640 - TURF IRRIGATION MANUAL
by James Watkins
A guidebook for engineers, architects, designers and contractors. Keeps pace with the latest developments in turf and landscape irrigation. Specific chapters devoted to rotary sprinkler design systems. Golf course design systems and expanded engineering and reference material. \$27.25

630 - TURFGRASS: SCIENCE AND CULTURE
by James Beard
Comprehensive basic text and reference source used in many leading university turf programs. Includes findings of current research compiled from more than 12,000 sources. \$42.00

110 - TURF MANAGERS' HANDBOOK-Second Edition
by Daniel and Freeborg
ENTIRELY UPDATED. A practical guide for the turf practitioner. Chapters on grasses, growth regulators and diseases have had extensive modification. Innovations resulting from research and practice have been added to reflect the current techniques available for turf managers. \$32.95

230 - LAWNs-Third Edition
by Dr. Jonas Vengris and Dr. William A. Torello
Designed as a textbook or a practical usage manual, this book has been completely brought up-to-date. Care of lawns and turfgrass, from selection of varieties to maintenance of established grass is completely covered. \$25.95

225 - TURFGRASS MANAGEMENT
by A.J. Turgeon
Revised edition. Covers the latest developments in turfgrass science and technology. Heavily illustrated with dozens of new drawings. Provides specific recommendations for applying the newest pesticides, fertilizers and other materials to combat turfgrass problems. A valuable reference for diagnosing problems and determining their causes. \$42.00

615 - TURF MANAGEMENT FOR GOLF COURSES
by James Beard
Written by an eminent turfgrass researcher, this USGA sponsored text is an ideal reference and "how to" guide. Details all phases of golf course design and construction, turf management, course administration, irrigation, equipment and disease and pest control. Fully illustrated. \$52.75

410 - DISEASES & PESTS OF ORNAMENTAL PLANTS
by Pascal Pirone
This standard reference discusses diagnosis and treatment of diseases and organisms affecting nearly 500 varieties of ornamental plants grown outdoors, under glass or in the home. Easy to understand explanations of when and how to use the most effective fungicides, insecticides and other control methods. \$37.95

800 - THE GOLF COURSE
by Cornish and Whitten
The first book ever to give the art of golf course design its due, and golf course architects the credit and recognition they deserve. 320 pages and 150 color and black and white photographs. Traces the history and evolution of the golf course, analyzes the great courses, shows how they were designed and constructed. \$35.00

510 - HORTUS THIRD
from Cornell University
A 1,300 page concise dictionary of plants cultivated in the United States and Canada. A reference which every horticulture professional should have. \$135.00

810 - LIABILITY AND LAW IN RECREATION, PARKS AND SPORTS
by Ronald A. Kaiser, J.D.
A fact-filled reference that all recreation professionals should have to steer clear of lawsuits resulting from athletic and recreation participant injuries. Uses layman's terms and an analysis of crucial court cases to provide you with a host of recommendations and risk management guidelines. \$33.00

125 - SCIENTIFIC GUIDE TO PEST CONTROL OPERATIONS
by G.W. Bennett, J.M. Owens, R.M. Corrigan
Fourth Edition. New chapters on fumigation, urban wildlife, special facilities, plus updated, improved chapters on pesticides, cockroaches, birds, termites, equipment, sanitation, stored product pests and more. Don't be without this updated edition. \$49.95 Domestic All Others \$60.00

415 - INNOVATIVE APPROACHES TO PLANT DISEASE CONTROL
by Ian Chet
Brings together alternative approaches and methods that have potential to control diseases caused by fungi, bacteria and viruses. Major concepts of disease control discussed include biological control systems, their possible mechanisms, potential application and genetic improvement. \$52.50

690 - INSECTS THAT FEED ON TREES AND SHRUBS
by Johnson and Lyon
Essential information for identifying more than 650 insect pests and the injuries they cause. More than 200 color illustrations. \$49.95

500 - THE 1989 PESTICIDE DIRECTORY
by Lori Thomson Harvey and W.T. Thomson
A Guide to Producers and Products, Regulators, Researchers and Associations in the United States. For the person who needs to know anything in the United States pesticide industry. \$75.00



Cost Data for Landscape Construction 1989
by Kathleen W. Kerr, Editor
An updated unit cost data reference for designers and cost estimators. Developed to fill the tremendous need for detailed landscape construction cost data. Laid out in easy-to-use CSI format. Annual. \$35.00

Landscape Design
A Practical Approach
by James R. Feucht and Jack D. Butler

LANDSCAPE MANAGEMENT
Planning and Management of Trees, Shrubs, and Turfgrass
by James R. Feucht and Jack D. Butler

345 - COST DATA FOR LANDSCAPE CONSTRUCTION 1989
Kathleen W. Kerr, Editor
An updated unit cost data reference for designers and cost estimators. Developed to fill the tremendous need for detailed landscape construction cost data. Laid out in easy-to-use CSI format. Annual. \$35.00

300 - LANDSCAPE DESIGN: A PRACTICAL APPROACH
by Leroy Hannebaum
Geared for the commercial designer/salesperson, this is a one-stop guide to the landscape design process. Covers the entire highly competitive field including design analysis techniques, pointers on land forms, specialized business landscaping methods, environmental design guidelines, specifications, estimations, bids. \$41.00

305 - LANDSCAPE MANAGEMENT
by James R. Feucht and Jack D. Butler
Planting and Maintenance of Trees, Shrubs, and Turfgrasses. Describes the basic principles of cultural management of installed landscapes. The important factors of plant growth, soils and fertilizers, improved planting techniques and new pruning techniques, integrated pest and disease management, and spray-equipment calibration and care are all featured. \$29.95