

Irrigation products combine efficiency and durability

Toro's Irrigation Division has introduced new irrigation equipment designed to operate systems efficiently. The 570C-12P (pictured), the latest in Toro's 570C Fixed Spray Series, features the company's Conilip™ seal and cap configuration for improved seal and reduced flush action.

With the 570C-12P, the Conilip™ series includes three-, four-, six- and 12-inch pop-up models with 75 different nozzles.

Also, Toro has put a stainless steel sleeve around its 610 gear-driven rotary sprinkler.

The company has also introduced two Custom II series controllers available in either hydraulic or electric with a choice of eight or 12 stations.



They feature a seven-day watering cycle and up to 11 start times per day.

Circle No. 192 on Reader Inquiry Card

Aquatic herbicide in gallon containers

Rodeo aquatic herbicide from Mon-

santo is now available in one-gallon containers. Users can order by telephone for direct delivery.

"This will be very convenient for those who have just a small problem with aquatic weeds in drainage ditches or small retaining ponds," says Monsanto's Sharon Gabel. "It will be especially helpful to owners of small recreational swimming and fishing lakes who are troubled with cattails which have taken over the shoreline."

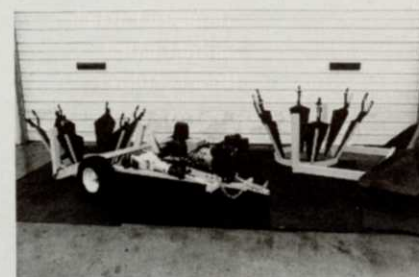


Rodeo is a broad-spectrum aquatic herbicide that provides effective control of more than 160 emerged grasses, brush and broadleaf weeds.

Circle No. 193 on Reader Inquiry Card

Tree transplanter is completely self-contained

The tree transplanter from Mid-Dakota is completely self-contained, can be towed by anything and goes anywhere a garden tractor goes without damaging lawns or underground sprinkler systems.



The size of the rootball can be set exactly for each trunk diameter through 2½ inches, making it useful for potted trees and shrubs. The towa-

continued on page 74

HOLD IT!

STAPLE

PIN

"L"

STANDARD SPECIFICATIONS:

STAPLES: Steel wire of 11 gauge (.120") diameter bent into a "U" shape, flat tops, with 1" between the two parallel legs of 6" standard length.

SOD PINS: Steel rod of 3/16" (.187") minimum diameter, sharp on one end and with a steel washer of 1½" minimum diameter captured on the opposite end.

"L" SHAPE: Steel wire of 9 gauge (.148") diameter, with the standard lengths being 4"x6" 4"x8" and 4"x12". Other Dimensions Available Per Your Specifications.

MAR-MAC®

Mar-Mac staples, sod pins and "L" shapes are made to meet all current geotextile standard installation specifications, and Mar-Mac can also make staples, pins or "L"s to meet any customer specification.

Some of the many applications of the Mar-Mac products are erosion control and foundation stabilization on golf courses, airports, strip mines, and building sites.

Toll Free 1-800-845-6962

MAR-MAC MANUFACTURING CO., INC.
P.O. Box 278, McBee, South Carolina 29101

Circle No. 126 on Reader Inquiry Card

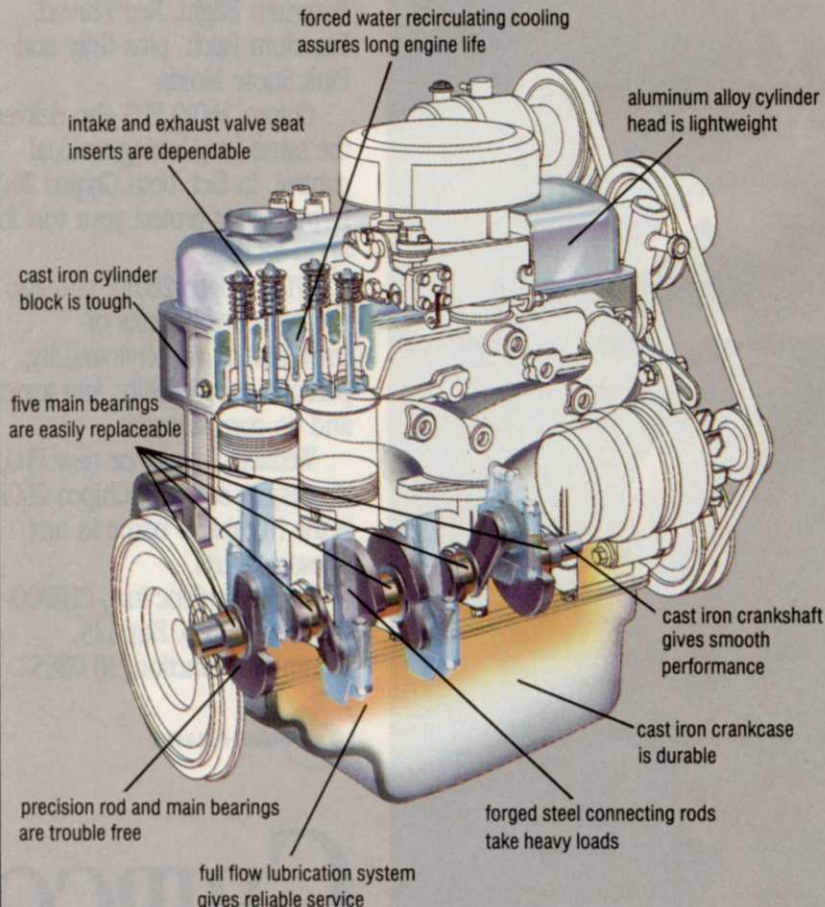
10 reasons why you should ask for a Continental R-Series engine

High performance, long life design — that's what the Continental R-Series liquid-cooled engines from Teledyne Total Power can offer you.

Take a look at the counter-weighted spheroidal cast iron crankshaft with five main bearings and forged steel connecting rods... right down to the cast iron cylinder block and crankcase, you can depend on the quality to keep up with your

equipment.

Ask for Continental R-Series engines from Teledyne Total Power, with over 5,000 distributors and service centers in over 90 countries ready to serve you. Send for your free "Reasons Why" brochure today: Teledyne Total Power, P.O. Box 181160, Memphis, TN 38181-1160, 901/365-3600, Telex: 462-1058 (ITT)



**TELEDYNE
TOTAL POWER**

3409 Democrat Road • Memphis, TN 38118
Call toll-free: 1-800-932-2858

R-11/14

PRODUCTS from page 72

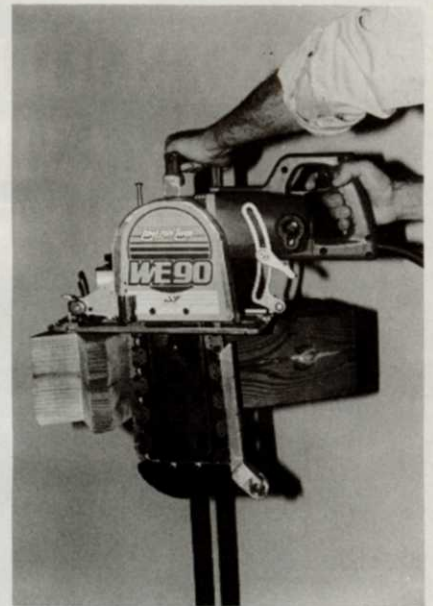
ble transplanter is \$4,500, the transplanter for mounting in a bucket or loader is \$1,500.

Circle No. 194 on Reader Inquiry Card

Power saw introduced at Landscape Expo

The Linear Link, a portable power saw from Progressive Power Tools, was unveiled at the Landscape Exposition in Chicago, March 3-5.

The saw leaves a smooth cut on landscape timbers used for building planters, decks, railings and other structures. The saw can cut notches without overcutting, has an eight-inch cutting capacity and cuts angles to 45 degrees.



Safety features include a full upper blade guard, a non-removable tip guard and rear pivoting blade guard.

Blue colorant marks path of spray application

Turf Mark, a blue color spray indicator, shows where spray is applied. The temporary colorant is a formulated concentrate that mixes easily with pesticides and fertilizers or other plant growth-regulating chemicals. Amount of colorant concentrate can be varied for more or less color intensity.

The colorant helps eliminate spray overlap, over-application, skips and drift. It can be used in spot spraying or broadcast application. The colorant comes in poly bottles with self-calibrating spouts, in one quart or one gallon sizes.

Circle No. 196 on Reader Inquiry Card

continued on page 76

FAST GREEN COVER UP

with



or with the new



HYDRAULIC MULCHING WITH CELLIN IS EASY, AND FAST, AND ECONOMICAL. SEED, FERTILIZER AND MULCH ARE MIXED INTO A SLURRY AND SPRAYED ONTO THE GROUND — IN ONE EASY STEP.

TACKLING STRAW (OR HAY) MULCHES WITH CELLIN MULCH IS EFFECTIVE, AND FAST, AND ECONOMICAL.

CELLIN MULCHES ARE DARK GREEN, COMPLETELY FREE OF WEED SEEDS AND CONTAIN NO GROWTH INHIBITING FOREIGN MATTER.

CELLIN MULCHES ARE FORMULATED TO MIX READILY WITH WATER AND TO REMAIN EVENLY DISPURSED IN THE SLURRY.

PACKAGED IN 50 lb. HEAVY DUTY POLYETHYLENE BALES — EASY TO HANDLE, STACK AND STORE.

CELLIN
MANUFACTURING INC.
800/336-3074
703/690-1195

Circle No. 104 on Reader Inquiry Card

PRODUCTS from page 74

Water absorber handles 4,000 gal./hr.

The Super Sopper has been used in Australia for more than eight years. It is now available in the United States. The Sopper, available in four sizes, can handle as much as 4,000 gallons per hour (the Whale) for heavy duty



jobs such as fairways or outfields, down to smaller jobs such as greens or tennis courts.

The Sopper works on grass, sand, concrete, asphalt and other surfaces, absorbing one inch of water on each pass. Conversely, it can also be used to wet a surface after an event to help repair damage.

Circle No. 197 on Reader Inquiry Card

Wheel loader performs with power, durability

The Coyote C8 fully articulated loader goes where skid loaders go, handling buckets from 0.75 cubic yards to 1.25 cubic yards through means of a Z-bar linkage with one double-acting lift and one double-acting bucket cylinder.

It is powered by a Duetz four-cycle, two-cylinder air-cooled diesel engine generating 38 hp. Four-wheel drive



can be activated by the operator from the cab. The loaders feature a three-year/3,000-hour full drive train warranty.

Circle No. 198 on Reader Inquiry Card