

CLASSIFIEDS

When answering ads where box number only is given, please address as follows: Box number, c/o Weeds Trees and Turf, Dorothy Lowe, Box 6951, Cleveland, Ohio 44101.

Rates: All classifications 65¢ per word. Box number, \$1. All classified ads must be received by Publisher the 5th of the month preceding publication date and be accompanied by cash or money order covering full payment. Mail ad copy to: Dorothy Lowe, Weeds, Trees & Turf, P.O. Box 6951, Cleveland, Ohio 44101.

HELP WANTED

GOLF COURSE TURF PROFESSIONALS: An opportunity to sell ProTurf® products. ProTurf Division of O.M. Scott & Sons, the nation's leading manufacturer and marketer of professional turf products, has openings for Technical Representatives in several territories. The Tech Reps selected will call on golf course superintendents, requiring a knowledge of turf management and an understanding of these professionals' needs. Applicant should have a BS degree or equivalent in one of the agronomic sciences. Excellent starting salary plus bonus, automobile, and a comprehensive benefits program at no cost to employees go along with these positions. Send resume in confidence to Dick Stahl, Director of ProTurf, O.M. Scott & Sons, Marysville, Ohio 43040. An equal opportunity employer.

SOIL-WATER and turfgrass advisor — Alameda County. Conduct an extension education and research program in urban nonfood agriculture with emphasis on informing a wide range of clientele on water use, soil management and turfgrass adaptability. Teach and develop new information; coordinate and cooperate with agencies, organizations, and other advisors. Communication skills important. M.S. in water and/or soil science, agronomy or horticulture preferred; B.S. and experience required. Closing date: September 15, 1979. Refer to No. 7920. Contact: Personnel Administrator, Cooperative Extension, University of California, Berkeley, CA 94720.

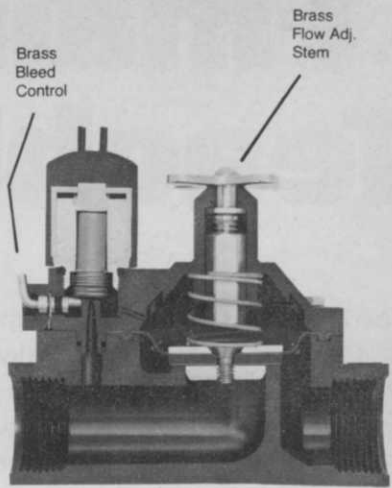
OBERLIN COLLEGE, OBERLIN, OHIO.
Position available: Grounds Supervisor. Qualifications: Training in horticulture and landscape planning, preferably with supervisory experience. Responsibilities: Working supervisor of a 9-person grounds crew in the maintenance and development of plantings on a 400-acre campus. Salary: \$13,200 to \$19,800 depending on qualifications and experience. Applicants should send a resume and arrange for three references to be sent to: D. E. Livingston, Vice President for Business & Finance, Oberlin College, Oberlin, Ohio 44074. Equal Opportunity/Affirmative Action Employer.

LOOKING FOR experienced person who has good knowledge of the fumigation business for NY metro area. Must be able to take charge of complete operation and have sales ability. Please send resume and salary requirements to Box 448, Pest Control, Box 6951, Cleveland, Ohio 44101.

LARGE PROGRESSIVE CEMETERY in New York — New Jersey area, seeks experienced and professional grounds superintendent. We have monument, memorial park, indoor — outdoor mausoleum, lawn crypts. Good opportunity for the right person. Memorial Parks, P.O. Box 706, Woodbridge, New Jersey 07095. Attention: David Shipper.

LANDSCAPE MAINTENANCE FOREMAN. Working foreman to work for landscape contracting firm. Looking for responsible individual. Applicant must be capable of personnel management, have experience in grounds maintenance, lawn care, chemical application and equipment repair. Good benefits. EOE. Please send resume to Shelton & Son Landscaping, Inc., P.O. Box 5013, Kansas City, Missouri 64132.

LANDSCAPE ARCHITECT OR EQUIVALENT. Seeking responsible person, with designing background, ideal opportunity for advancement for young,



NEW 1" NYLON VALVE

WE WROTE THE BOOK ON VALVES

Weather-matic remote control 1" nylon valve is sturdy, reliable and economical. All brass flow control stem is non-rising; operates from full open to full close. Hand operated all brass bleed control bleeds downstream; has stops for open and close positions. Body and cover are durable, high-strength glass-filled nylon.

THE TURF IRRIGATION MANUAL

A definitive reference book on landscape irrigation just published by Telsco. Copies may be ordered from the factory.



MAIL TO: Weather-matic Division Telsco Industries • Box 18205C • Dallas, Texas 75218

Please send me information on

- 1" Nylon valve
- Brass valves
- Turf Irrigation Manual
- Other

NAME _____
 COMPANY _____
 ADDRESS _____
 CITY _____
 STATE _____ ZIP _____



No need to own, load, haul and use plows, discs, rotary tillers, blades, drags or harrows to do the job. Just one implement, the Roseman Tiller-Rake does the complete job quickly, efficiently and perfectly. Adjust pitch control wheel to scarify hardest ground, to till, pulverize, grade spread and finish-rake. From rough construction sites to perfect seedbeds at tremendous savings in time, labor, equipment and cost. Thousands of satisfied users. Order yours today.

ROSEMAN TRACTOR EQUIPMENT CO., 2620 CRAWFORD AVENUE • EVANSTON, ILLINOIS, U.S.A.

aggressive landscape architect willing to prove himself. Good benefits. EOE. Please send resume and salary desired to Shelton & Son Landscaping, Inc., P.O. Box 5013, Kansas City, Missouri 64132.

FOR SALE

12 foot Dico Side-O-Matic unloading boom complete with forks. Excellent condition, \$6000. Green Valley Turf Farms, Canfield, Ohio. 216 533-4353.

73 PRINCETON 4020. Updated front end and drive wheels 172 Ford industrial. Good shape. \$12,000 or best offer. 1 509 863-1261.

VERMEER STUMP CUTTER, model 6, recently completely redone by Vermeer, \$2000. Phone 912 742-0881.

TREE SERVICE BUSINESS: Excellent reputation, prime location in San Francisco Bay area, over 34 years in business. Trucks, spray rigs, brush chipper, chain saws, wood splitters, miscellaneous tools. Priced for quick sale, owner retiring. Box 3, San Anselmo, CA. 94960.

1971 BEAN ROTOMIST BLOWER, model 91. Skyworker, 42 ft. on 1954 Ford truck, model F 700. Call 413 229-8689 or write Bill Koneazny, RD1, Box 273, Canaan, Conn. 06018.

FOR SALE established Garden Center, North Shore, Long Island. 516 261-0969.

LANDSCAPE COMPANY — Established 1974; includes excellent reputation, tools, trucks, equipment, yard with ideal location. Average gross \$145,000/year. Mail inquiries to Box 2188, Santa Barbara 93120.

NURSERY — LANDSCAPE CONTRACTING — lawn sprinkler installation business. Huntington, L.I., N.Y., large beautiful house, lathe house, 1 1/2 acres, established 1945, selling due to retirement, excellent location and reputation, 2 trucks, miscellaneous, tools and equipment rototiller, Pied Piper pipe puller, sprayer, etc. Main highway. Phone 516 692-5084. Bellini Nursery, 327 Deer Park Ave., Dix-Hills, N.Y. 11746.

USED EQUIPMENT

2 — 50' AERIAL BASKETS, brush chipper, stump cutter, 2 sprayers, small crane. Parkway Tree Service, 12026 West Cherry St., Wauwatosa, Wisconsin 53226. 414 257-1555.

STUMP GRINDERS, chippers, log splitters, sprayers, bucket trucks, all reconditioned. Let us know your needs. Essco, 5620 Old Sunrise Hwy., Massapequa, N.Y. 11758. 516 799-7619.

1-60' HI-RANGER, 2-53" Hi-Ranger, 1-Mitts Merrill chipper, 2-Prentice loaders, 1-35 g.p.m. John Bean sprayer, 1-10 ton tri-axle trailer, 2-chipper trucks. 414 255-6161 or 354-8730 eve. Allied Enterprises, Inc., W 204 N11509, Goldendale Road, Germantown, Wisc. 53022.

USED HI-RANGER and other bucket trucks, Bombardier muskegs, Asplundh chippers, 100 ft. cranes and smaller and hydro-ax's. Please call or write P. C. Gould Sales Company, Box 178, Essex, Conn. 06426. Phone 203 767-1636.

ASPLUNDH CHIPPER, 330 hours, 330 cubic inch displacement, 16 inch model, 8 cylinder gas engine with extras. \$5,500.00. Fall River, Mass. 617 678-4815.

FOR SALE: Bean sprayer, 600 gallon capacity, stainless steel tank, low hours, like new with extras. \$4,300.00. Fall River, Mass. 617 678-4815.

USED AERIAL buckets for sale or lease. Used brush chippers, 100 foot Arlo cranes, 35' national crane. Bombardier Muskey \$4,000. Call or write Jeff Gould, P. C. Gould Sales Company, Box 178, Essex, Conn. 06426. Phone 203 767-1636.

FOR SALE: Lingig Topsoil shredder, 100 yds./hr., excellent condition. Lange Top-

WOODWACKER BY DIDIER.

IT'S TIME YOU BRANCHED OUT.

Increase your profits through sales and rentals with the Didier Woodwacker.

The Woodwacker takes large, hard to dispose of branches and turns them into small, mulch-size chips...quickly and safely. The chips are then easily disposed of, burned in a wood stove or used for garden bedding.

The Didier Woodwacker. It'll turn a tidy profit for you.

For more information call or write:

DIDIER MFG.

P.O. Box 163, Dept. 700
Franksville, WI 53126
(414) 886-0525



Circle 114 on free information card

soil Co., 8750 Lapp Rd., Clarence Center, N.Y. 14032. 716 741-2861.

1970 MORBARK CHIPPER, good condition, reasonably priced. Used Hydro axes. 1971 Timberjack model 230D grapple log skidder, good condition. Used bucket trucks. Call, P.C. Gould Sales Company, Box 178, Essex, Conn. 06426. Phone 203 767-1636.

FOR SALE: 12 new 18" Ryan sod cutter blades, \$12.00 each. 20 used 18" blades, \$6.00 each. 716 434-5338.

NEARLY NEW 1978 TS-66 Vermeer tree spade mounted on 1978 Chevrolet C-65 twin screw chassis gas engine less than 400 miles. Creative Land Consultants, Inc., 10730 Pacific Street, Suite 217, Omaha, Nebraska 68114. Call 402 393-7403.

SKID MOUNTED 300 gallon fiberglass sprayer. Kohler engine, beanpump, 325 foot hose with motorized reel. Call Barry Stern 404 432-7761.

50 FT. AERIAL BASKET, 80 ft. telescopic crane, brush chipper, stump grinder, dump truck with small Foco crane, dump truck, boat and trailer for aquatic weed control. Call Poughkeepsie, New York 914 471-7700.

1968 FORD K.D. forklift. Gas, 21 foot mast, 4000 pound capacity, motor overhauled in 1978. \$5,500. Green Valley Turf Farms, Canfield, Ohio. 216 533-4353.

SEEDS

SOD QUALITY Seeds: Adelphi, Glade, Cheri, Nugget, Merion, Fylking, Majestic, Baron & Touchdown bluegrasses, also fine fescues. Manhattan ryegrass. Custom mixing available. Michigan State Seed, Grand Ledge, Michigan 48837. Phone 517 627-2164.

LAWN SEED. Wholesale. Full line of top quality grasses. Improved bluegrass varieties, fine fescues and fine bladed ryegrasses. We specialize in custom mixing. Oliger Seed Company, 2705 Wingate Avenue, Akron, Ohio 44114. Call collect 216 753-2259.

BUSINESS OPPORTUNITIES

WANT TO BUY OR SELL a golf course? Exclusively golf course transactions and appraisals. McKay Golf & Country Club Properties, 15553 N. East St., Lansing, Michigan 48906. Phone 517 484-7726.

LEARN LANDSCAPING and the Growing of Plants at home. Start a satisfying business or hobby. Free booklet. Lifetime Career Schools, Dept. A-607, 2251 Barry Avenue, Los Angeles, Ca. 90064.

VAIL, COLORADO. Nursery and landscape contracting company for sale. Year round business with snow plowing in winter. Inventory includes 7 trucks and 2 loaders. 303 476-3047.

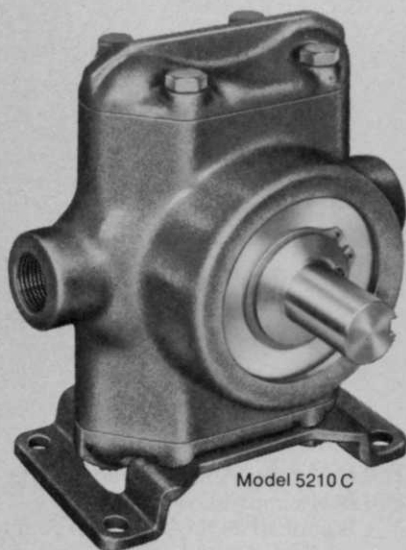
WANTED TO BUY

WANTED TO BUY: Aerial baskets, 50 ft. minimum, used chippers, 12 in., used Bombardier equipment. Contact Glenn Bennett at O. T. Corp. 313 727-7558.

WANTED spray unit, minimum 55 gpm. 1000 gallon tank mounted on truck or trailer. 616 241-0567.

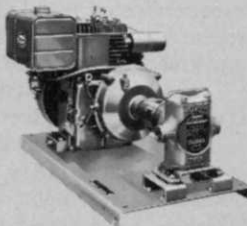
MISCELLANEOUS

KELWAY SOIL pH TESTER, used by professionals everywhere. Direct reading, longlasting, portable, lightweight, no power source. Model HB-2 reads moisture too. Sold, guaranteed and serviced by Kel Instruments Co., Inc., P.O. Box 1869, Clifton, N.J. 07015. 201 471-3954.



Model 5210 C

Also available gas engine and mounting base.



For both Volume and Pressure

Use Hypro series 5200 Big Twin piston pumps.

Here's a rugged two-cylinder piston pump that will deliver up to 10 gpm at 400 psi (600 rpm) for tree spraying, area spraying, fogging, or termiticide pretreating.

Handles many kinds of weed and pest control chemicals including wettable powder suspensions.

Available with solid shaft or with hollow shaft for direct tractor, truck, or jeep PTO mounting.

FEATURES:

- Leather or impregnated fabric piston cups.
- Heavy duty ball bearings.
- Suction & discharge ports tapped $\frac{3}{4}$ " NPT.

Hypro
A DIVISION OF LEAR SIEGLER, INC.
399 Fifth Avenue NW, St. Paul, Minnesota 55112

Circle 137 on free information card

WT&T EVENTS

TAN-Misslark Convention & Trade Show, Dallas Convention Center, Dallas, TX, **August 18-21**. Contact B.R. Fullingim, TAN, 512 East Riverside Dr., Austin, TX 78704, 512/444-7489.

Ornamentals Northwest Seminars, Memorial Coliseum, Portland, OR, **August 23-25**. Contact ONW Seminars, Extension Business Office, Oregon State University, Corvallis, OR 97331. 503/754-3311.

Tennessee Nurserymen's Association Annual Convention, Opryland Hotel, Nashville, TN, **August 23-25**. Contact Dr. Neil L. Woodiel, P.O. Box 57, McMinnville, TN 37110.

International Exhibition of Groundsmanship, University of London Athletic Ground, Motpur Par, New Malden, Surrey, England, **Sept. 11-13**. Contact Institute of Groundsmanship, 108A Chessington Rd., West Ewell, Surrey KT19 9UR, England. 01-393-8027.