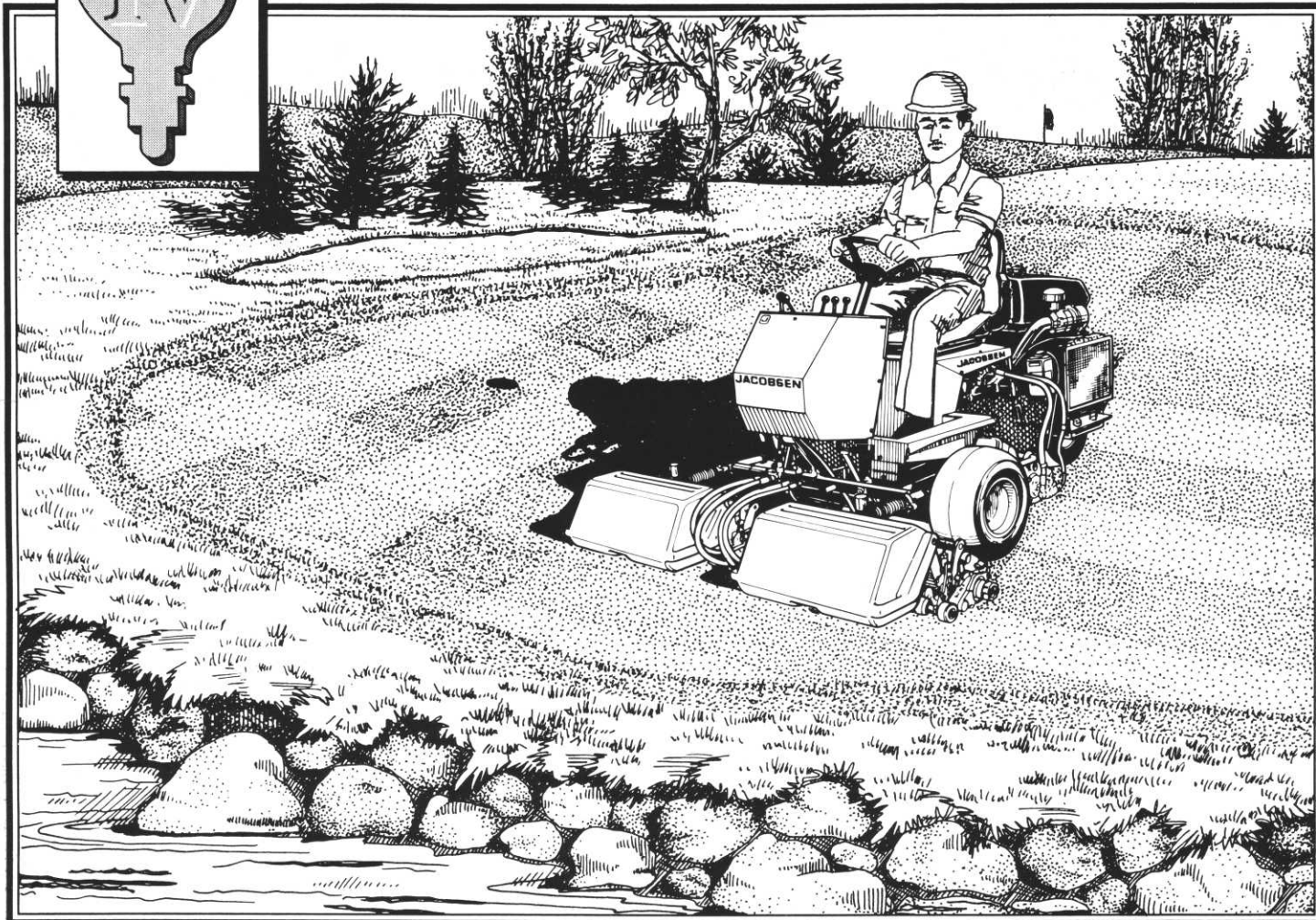
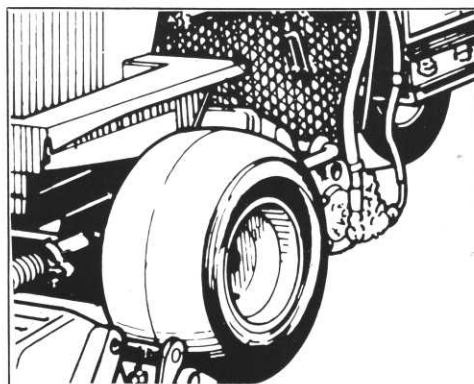
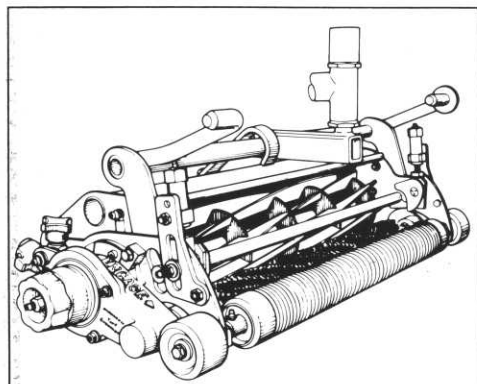


# The key to great greens



starts when you turn your key in the ignition switch of either the diesel water cooled engine **Jacobsen Greens King® IV** or the gasoline air cooled version. Either way you'll get proven performance and superior mowing!



Great greens don't just happen. The **Turf Groomer® Greens Conditioner** gently stands up horizontally growing grasses as the knives rotate through the exclusive intersecting roller, slicing the grass before it can lay down. Grass stands up for a smoother, faster, truer putting surface,

"making greens come true." In between you find exclusive features like steerable reels to help eliminate wear during perimeter cuts, built-in hydraulic backlapping, individual reel controls, single pedal operation of reels and transport speed.

# NST

NORTH STAR TURF, INC.

3080 Centerville Road  
St. Paul, MN 55117

(612) 484-8411  
(800) 592-9513

**"We Initiate Satisfaction"**

It ends with one of the lightest footprints in the industry. The **Greens King® IV** has a light footprint of only 8.5 psi, thanks to its balanced design and large pneumatic tires. That means less compaction and marking of your delicate greens.