

# GROUNDS

for

# RANSOMES!

## THE LIGHTWEIGHT LEADER THE MOTOR 180!



When professional superintendents talk of lightweight mowing they speak of the RANSOMES MOTOR 180. The lightweight leader for their mowing HANDICAPS. The reel mower that offers real maneuverability. With a low center of gravity and wide track for outstanding stability and performance on steep slopes. Precision mowing at heights from 1/4" to 2". A 71" cutting width that slices hours off the biggest mowing jobs. RANSOMES MOTOR 180. On a PAR with no other mower.

If you have the Grounds For Ransomes, then that's Grounds for calling TWIN CITIES TURF, inc. Your exclusive RANSOMES DISTRIBUTOR

\*\*\*\*\*  
\* SPECIAL \*  
\* LEASING TERMS AVAILABLE \*  
\* ON THE COMPLETE FAMILY \*  
\* OF RANSOMES PRODUCTS, \*  
\* REEL OR ROTARY. \*  
\*\*\*\*\*

# TWIN CITIES TURF, inc.

# The Motor 180. Copied, But NEVER DUPLICATED!



11300 Ilex Street N.W. • Coon Rapids, MN 55433 • (612) 754-1314

DISTRIBUTORS OF PROFESSIONAL GRASS MACHINERY

## NECROLOGY

It is with a deep sense of loss that we announce the death of Life Member Richard Ryshavy at age 81. Dick was the assistant golf course superintendent at Woodhill Country Club for forty years and a long time member of the MGCSA.

## NEW TO GCSAA

CONGRATULATIONS to the following Minnesota Golf Course Superintendents who have joined the Golf Course Superintendents Association of America: Paul G. Diegnau, Parkview Golf Club, Eagan; John . Ganske, Spooner Golf Club, Spooner, Wisconsin; Jeff Earley, Hazen Golf Club, Hazen, North Dakota. Membership in the Minnesota GCSA and the GCSAA speaks highly of one's dedication to our profession.

## FOR SALE

**\*\* BATTERIES FOR ELECTRIC GOLF CARS \*\***  
**EXIDE - THE NUMBER 1 BATTERY ON THE MARKET**  
 GC4-220 AMP Hr. \$41.50 Ea. CUSHMAN MOTOR CO.  
 2909 E. FRANKLIN AVE., MPLS (612) 333-3487

## To Keep Your Course In Classic Condition, Use These High-Quality Products from NOR-AM



### • NITROFORM® SLOW-RELEASE NITROGEN

Releases by slow bacterial action to provide consistent 38% nitrogen.

### • TURCAM® INSECTICIDE

Controls a wide range of turf and ornamental pests.

### • PROGRASS® HERBICIDE

Controls certain annual grasses and broad-leaf weeds in ornamental turf.

### • DELTIC® INSECTICIDE

Gives fast knockdown and long-term control of fleas, ticks and other pests.

### • BANOL™ TURF AND ORNAMENTAL FUNGICIDE

Controls pythium and phytophthora

### • PROXOL® 80SP INSECTICIDE

Controls white grubs, sod webworms, cutworms and armyworms in fine turf.

**NOR-AM**  
 NOR-AM CHEMICAL COMPANY  
 Weymouth, DE 19383

THE FAIRWAY CLASSICS  
 to keep your course in top condition

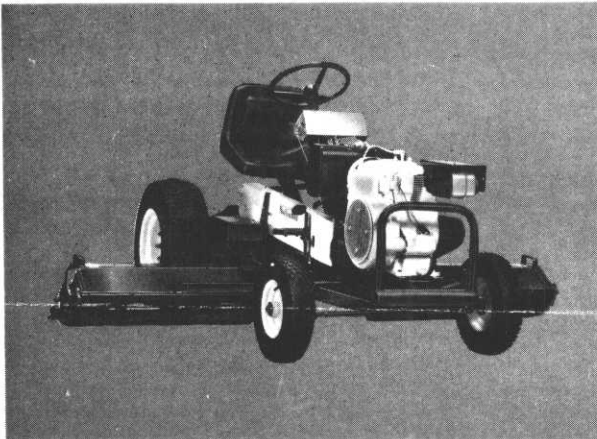
**C. Robert Staib**

Sales Representative  
 Specialty Chemicals Group

RESIDENCE:

8512 WINSTON AVENUE, DES MOINES, IA 50322 (515) 276-3390

# For more uptime you need a National!



MODEL 84



MODEL 68

■ Ask any professional, National's known for providing maximum efficiency with minimum maintenance...and a lot more!

■ **New Steering Assembly** (Model 84) for easier steering and longer service life.

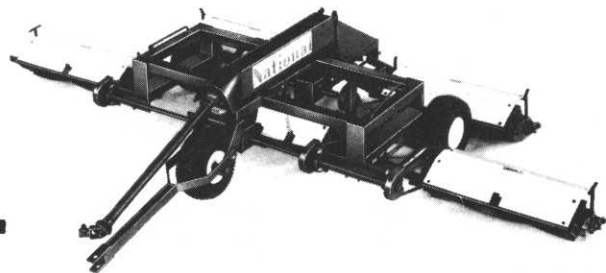
■ **B&S, I/C Heavy Duty Engine** (Model 68) for increased performance and less maintenance.

■ **Less Down Time.** Standard off-the-shelf items like belts and bearings, available from any local supplier.

■ **Greater Fuel Economy.** 44% to 62% less fuel consumption than power robbing, hydrostatic type rotary mowers.

■ **Lower Initial Cost** than that of mowers sold to do the same job.

MODEL PQ II



PARTS • SALES • SERVICE

**CUSHMAN MOTOR CO., INC.**

Jerry Commers

2909 E. FRANKLIN AVENUE • MINNEAPOLIS, MINNESOTA • PHONE (612) 333-3487

John Sniker

Tim Commers

**COME SEE THE NEW LINE OF  
EQUIPMENT FOR THE 87' SEASON**

**MINNESOTA  
GREEN INDUSTRY  
EXPO**  
87

**JUNE 16-17, 1987**

**Anoka Vocational  
Technical Institute**

**Rum River Campus**

**CO-SPONSORED BY:**

**Minnesota Park Supervisors Association  
Minnesota Street Supt. Association  
Minnesota Golf Course Supt. Association  
Minnesota Turf Association**

**Minnesota Society of Arboriculture  
Minnesota Assoc. of School Maintenance Supv.  
Grounds Supervisors of Area Colleges  
Minnesota Professional Lawn Care Association**

**Minnesota Recreation and Park Association**

**FOR MORE INFORMATION CALL 612/427-1880, 292**

☆ **NEW** ☆



THE PROFESSIONALS  
THAT KEEP YOU CUTTING.

☆ **NEW** ☆

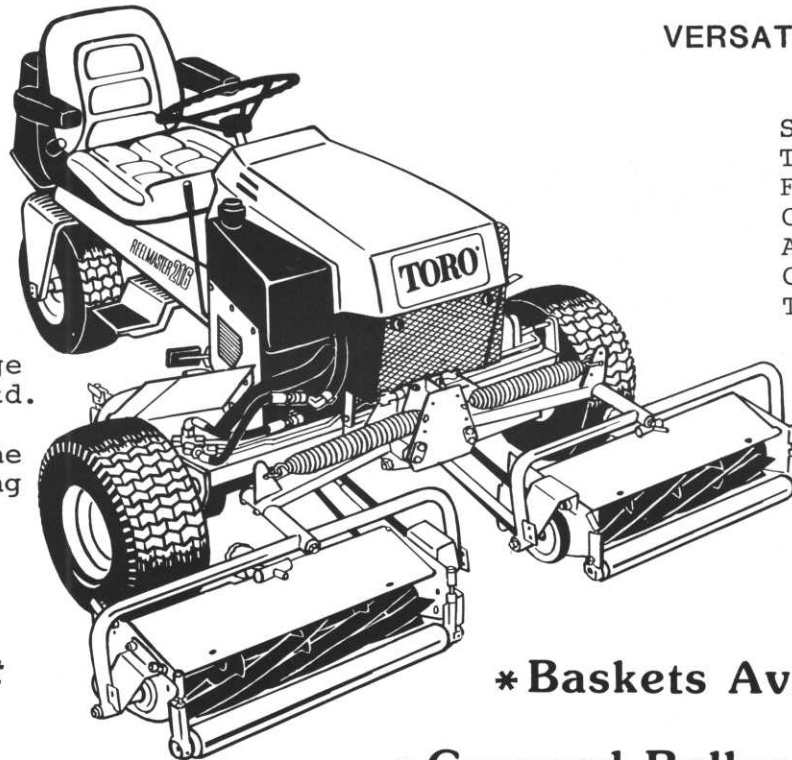
## Reelmaster<sup>®</sup> 216

### SUPERIOR FEATURES

Full Floatation  
Hydraulic Lift  
Automatic Reel  
Shut-off  
5 or 8 Blade  
Hydraulic Drive  
Lowest Height of  
Cut .25"  
Quick Height Change  
Suspension Seat-Std.  
Arm Rests-Std.  
16 hp Kohler Engine  
Automotive Steering

### VERSATILE APPLICATION

Slopes  
Tees  
Fairways  
Collars  
Aprons  
Club House Area  
Trimming



**72" Width of Cut**

**\* Baskets Available \***

**\* Grooved Rollers Available \***

The Reelmaster<sup>®</sup> 216 has all the features you need to dramatically improve your cutting efficiency. On trim areas. Formal areas.

**MTI** DISTRIBUTING CO.

**TORO**

14900 - 21st Ave. No.  
Plymouth, Minnesota 55441  
(612) 475-2200

1-800-362-3665 Minnesota  
1-800-328-3558 Out State