

**THEY'RE
HERE!**

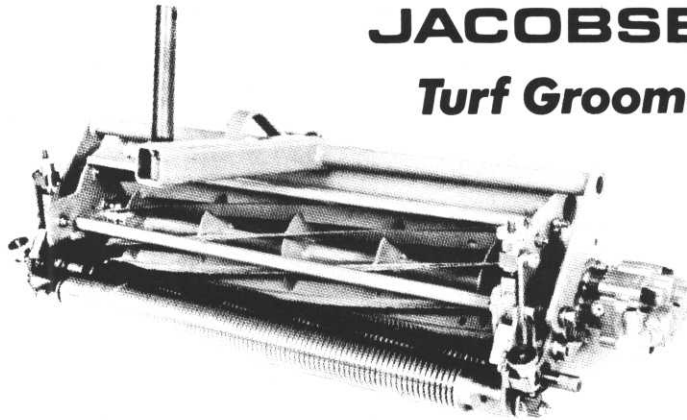
from



NOW...

YOU CAN GET HEALTHIER GREENS
AND TRUER, FASTER PUTTING
WITHOUT LOWERING HEIGHT OF CUT

JACOBSEN
Turf Groomer™



REGULAR USE OF THE **TURF GROOMER** greens conditioner will continue to increase green speed by as much as 25 percent without lowering your cutting height.

YOUR GOLFERS WILL LOVE THE IMPROVED greens consistency and faster putting surface, while you'll love the improved health of your greens.

TURF GROOMER — the most revolutionary product in greens care since the Greens King IV riding greens mower. And now the two form a team to give you a superior green surface.

CALL US TODAY (612) 484-8411



3711 Lexington Ave. No. - St. Paul, MN 55126

HOLE NOTES

OFFICIAL PUBLICATION OF THE MINNESOTA
GOLF COURSE SUPERINTENDENTS' ASSOCIATION

EDITOR: WARREN J. REBHOLZ
6550 YORK AVENUE SOUTH
SUITE 402
EDINA, MINNESOTA 55435-2383
PHONE: 612/927-4643

ASSOCIATE EDITORS: GUY R. GREEN
ROSS T. GALARNEAULT

EDITORIAL COMMITTEE CHAIRMAN:
TOM FISCHER, CGCS

MGCSA BOARD OF DIRECTORS FOR 1986-1987:

OFFICERS

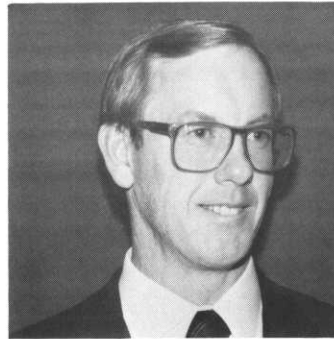
PRESIDENT DOUGLAS MAHAL, CGCS
VICE-PRESIDENT ... SCOTT HOFFMANN, CGCS
SECRETARY FRED ANDERSON, CGCS
TREASURER KEITH SCOTT
EX-OFFICIO KERRY GLADER, CGCS

DIRECTORS

TOM FISCHER, CGCS BRAD KLEIN, CGCS
RICHARD FREDERICKSEN TOM McCANN
DAN HANSON, CGCS JAMES J. NICOL, CGCS

THE FOLLOWING IS A LIST OF OFFICE
TELEPHONE NUMBERS FOR THE ENTIRE BOARD:

DOUGLAS MAHAL 612/929-1661
SCOTT HOFFMANN 218/829-2811
FRED ANDERSON 612/689-3800
KEITH SCOTT 612/938-6900
KERRY GLADER 612/253-5250
TOM FISCHER 612/424-8756
RICHARD FREDERICKSEN ... 612/478-2179
DAN HANSON 612/926-4167
BRAD KLEIN 218/847-8070
TOM McCANN 612/427-6110
JAMES NICOL 612/755-4150



FROM THE
PRESIDENT'S
DESK
DOUG MAHAL

It may have been the 78 I scored which made the day seem so enjoyable but I certainly had a great time at our July monthly meeting site, Voyager Village. Host Superintendent, Guy Lohman, had the course in magnificent condition. Many thanks to Guy and his wife Jane for helping to make the day so super for us "supers!"

Had enough heat yet? While many golf courses have received nearly adequate rainfall, there are some of us luckier folk who have gotten very little. But the heat and humidity have been there universally. Under these conditions, it's easy for both superintendent and staff to slide into mediocrity performance-wise. It is necessary to schedule moderate breaks and time off for both, in order to maintain quality workmanship and to maximize any enjoyment the job can offer during these "sticky" times of the year. Unfortunately, here in the midwest, it's during this "sticky" period that the demand for quality is at its peak and allowing time off on an already tight payroll budget is difficult. I'm of the opinion that it is the superintendent's responsibility to inform their employer of the importance of acquiring enough staff to maintain quality while maintaining a staff that enjoys getting up and coming to work each morning.

Our annual superintendent tournament is just around the corner. If you haven't had the chance to play Edinburgh USA yet, here is your opportunity. Host Tom Fischer has done an outstanding job in getting that track established under less than ideal conditions. It's a golf course that does not have to be long to make you think about your shot; every shot. Send that registration form back when you receive it and bring your most accurate swing. The day will be enjoyable. (Wait until you see the clubhouse!)

continued on page 8

NEED HELP?

USGA TURFGRASS INFORMATION FILE

The USGA Turfgrass Information File (TGIF) provides computer-based bibliographic access to published materials relating to turfgrass research and management. The file is operated as a part of the Turfgrass Information Center at the Michigan State University Libraries. This USGA research project, in cooperation with GCSAA, first became operational in August of 1984 and now includes more than 10,300 references, most of which (approximately 80%) include abstracts.

FILE PURPOSES AND USES

As a file designed to support the efficient and effective retrieval of research results, TGIF can be exploited to identify source documents discussing particular grasses (or cultivars, for that matter), cultural practices, agents, research methodologies, environmental conditions, etc., alone or in combination. It is also useful as a reference tool, for example, in tying together disease nomenclatural changes, surveying the state of knowledge on a particular insect pest (in the turf context), or quickly identifying who has conducted research on a particular concern. In many cases, the abstracts themselves can provide management guidance based on summary conclusions. It is unbeatable at identifying that, "I can remember seeing an article on that about a year or so ago..." item, and quickly, too.

FILE SCOPE AND CONTENT

To build the file, current published literature from seventy journals is selectively processed, including these kinds of sources:

RESEARCH: Agronomy Journal, Plant Disease, Phytopathology, Crop Science, Canadian Journal of Plant Science, Journal of the Sports Turf Research Institute, etc.

PROFESSIONAL: USGA Green Section Record, California Turfgrass Culture, Golf Course Management, Greenmaster, etc.

TRADE: Weeds, Trees & Turf, Grounds Maintenance, ALA, SportsTURF, etc.

In addition, online files and bibliographies from the National Agricultural Bureaux (U.K.), Biological Abstracts, etc., will be reviewed regularly to include materials from sources not usually reporting turf research.

Currently over 1200 different serial titles are represented in the database. Included are journals, conference proceedings, research annuals, newsletters, and extension bulletins in addition to the books, papers, theses, and dissertations, and special publications that make up the remainder of the file. Over 95% of the file entries have been published since 1968, reflecting the emphasis on recent materials.

Though significant results can be retrieved on most turf topics, it must be noted that the file continues to be "under construction" and cannot be considered "exhaustive" at this time. Coverage of the literature since 1980 is most complete, with the 1972-1979 period less well represented.

THE SETTING

Designed to compliment and enhance the existing O.J. Noer Memorial Turfgrass Collection at the Michigan State University Library, TGIF is but one element in a three part cooperative effort to develop a Turfgrass Information Center at MSU. The Noer Collection, based on O.J. Noer's personal library and supplemented by gifts from many others, has now grown and become recognized as one of the best in the country. The O.J. Noer Foundation continues to provide support for the purchase of historical works and further additions to the collection from a variety of sources are encouraged on a continuing basis. This collection "backs up" the online index to the literature, TGIF, sponsored by the USGA Turfgrass Research Committee. Both the collection and file are operated by the MSU Libraries, which finances and implements the collection development responsibilities.

SEARCHING THE DATABASE

The database can be searched by a variety of means, including (as examples only): the presence of a word or words in a title, abstract, or as an assigned index term; author or authors; journal which the item appeared in, time period of publication, by

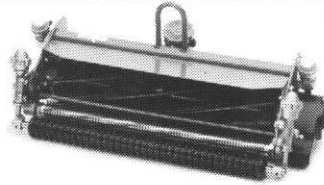
continued on page 9

**NEW
FINANCING**



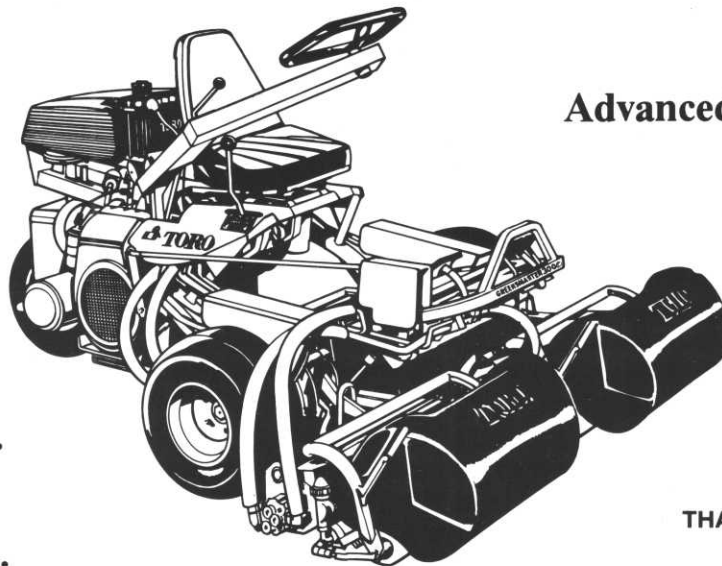
**NOW
ON SALE**

**New
11 BLADE CUTTING UNITS
Variable Speed**



**VERTI-REEL
Groomer**

**New
Backlapping
Reel Shut-Off**



Advanced Hydraulics

It's Durable.

It's Versatile.

It's Powerful.

THATCHING REEL

POWERED SPIKER

QUICK HEIGHT OF CUT

16 h.p. MAGNUM ENGINE

Our Greensmaster® 3000

MTI DISTRIBUTING CO.



14900 - 21st Ave. No.
Plymouth, Minnesota 55441
(612) 475-2200

1-800-362-3665 Minnesota
1-800-328-3558 Out State



EDITOR'S CORNER

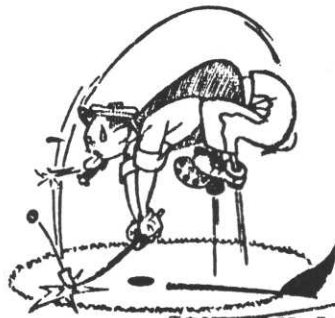
TOM FISCHER

This year we have been blessed with good weather and some great golf courses - Voyager Village being no exception. At our monthly meetings we have had excellent turnouts and wish to thank you for your support.

At the July 13 meeting, Turf Supply sponsored Dr. Mike Agnew from Iowa State University, who provided us with valuable information regarding compaction. John Deere (Carlson Lake State Equipment) exhibited two greensmowers and a truckster to introduce John Deere's turf equipment which will also include the Ransomes line of turf mowers.

Jack Kolb has given me some old issues of the Hole Notes from which I will be passing along various tidbits of information and the history behind our paper. For example, the first heading was drawn by Douglas Mattson of Normandale Golf Course and looked like this:

HOLE



NOTES

JANUARY 1963

SAVE

during the
ProTurf®
Pre-Season Sale

Call your Tech Rep today.



Mike Redmond
Executive Technical Representative

ProTurf Division
O.M. Scott & Sons

234 5th Avenue North
Hopkins, MN 55343
Telephone: 612/933-0828

The association had a newsletter prior to April 1962, but it was not called Hole Notes. Maynard Ericson of Theodore Wirth Golf Course won a \$5.00 prize for choosing Hole Notes as the title. Maynard Ericson has since retired. Douglas Mattson is a banker in Bemidji.

New to GCSAA

The following have become members of the Golf Course Superintendents' Association of America:

David J. Deem, Hazeltine National GC
Michael L. Ligday, Manitou Ridge GC

Congratulations!

It is with great pleasure we recognize the following new members of our association:

Cory Olsen, Class D, Edinburgh USA
Michael Lunzer, Class BII, Como GC
Jim Porter, Class F, John Deere Co.
Steven Gorecki, Class F, Gorecki & Co.
C.A. Hingsberger, Class F, Hingsberger Poly. Ind. LTD.

Steve Bjongaard, Class F, E-Z-Go Textron

Welcome!

GROUNDS

for

RANSOMES!

THE LIGHTWEIGHT LEADER

THE MOTOR 180!



When professional superintendents talk of lightweight mowing they speak of the RANSOMES MOTOR 180. The lightweight leader for their mowing HANDICAPS. The reel mower that offers real maneuverability. With a low center of gravity and wide track for outstanding stability and performance on steep slopes. Precision mowing at heights from 1/4" to 2". A 71" cutting width that slices hours off the biggest mowing jobs. RANSOMES MOTOR 180. On a PAR with no other mower.

If you have the Grounds For Ransomes, then that's Grounds for calling TWIN CITIES TURF, inc. Your exclusive RANSOMES DISTRIBUTOR

SPECIAL
LEASING TERMS AVAILABLE
ON THE COMPLETE FAMILY
OF RANSOMES PRODUCTS,
REEL OR ROTARY.

TWIN CITIES TURF, inc.

The Motor 180. Copied, But NEVER DUPLICATED!

11300 Ilex Street N.W. • Coon Rapids, MN 55433 • (612) 754-1314



DISTRIBUTORS OF PROFESSIONAL GRASS MACHINERY

Turf Supply Company

Minnesota can hold its head high in the realm of golf course maintenance equipment developed and patented by native Minnesotans. The list of inventors “past” is lengthy.

TURF SUPPLY COMPANY would like to pay tribute to those seldom recognized mechanics who contributed in a very significant way to golf course maintenance:

FLOYD LARSON, Minikahda, Now Retired: Although other people get credit, Floyd was the initial developer of the “hydraulic-unit lifts” on the fairway mowers (tractors).

ROGER ORTLOFF, Minneapolis Golf Club, now golf course superintendent at Bluff Creek: Roger holds no patents, but he fabricated numerous innovations for Uncle Herb Cohrs. Roger can be credited with cooperative development of the Meter-Matic Topdresser, certain brushes for the greens mowers and many other gadgets that just did not sell, or were “plagiarized”.

WALTER GUNN, Minneapolis Golf Club, semi-retired: Walt holds a patent on “sand trap trimmer” and has developed a large power aerifier for fairways. Walt knows well the heartaches of plagiarism.

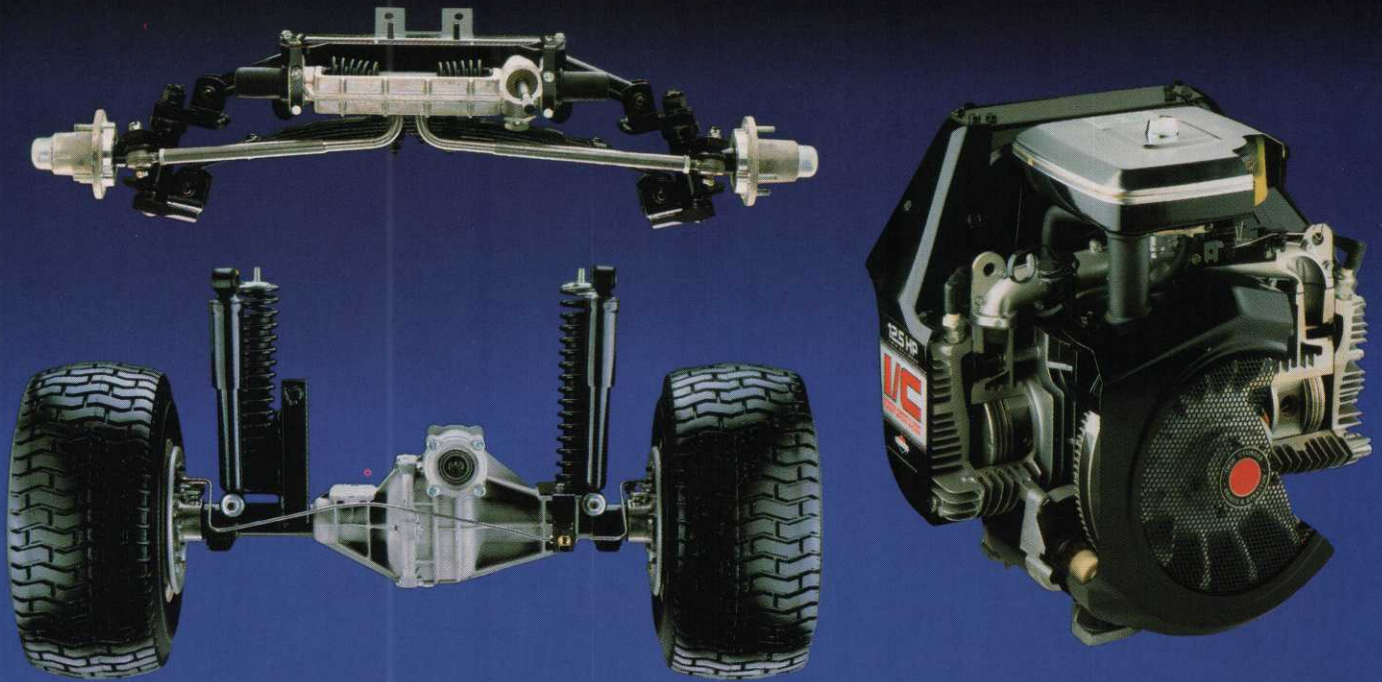
Let’s give our mechanics a well deserved pat on the back—good grooming starts with well maintained equipment.



TURF SUPPLY COMPANY
2970 DODD ROAD • ST. PAUL, MN 55121
454-3106

The closer you get, the better we look.

"SINCE 1949"
CUSHMAN MOTOR COMPANY, INC.
2909 EAST FRANKLIN AVENUE
MINNEAPOLIS, MINNESOTA 55406
612-333-3487



The Cushman Eagle® is an engineering masterpiece, combining style with a new standard of utility vehicle performance. It's specifically designed to meet the demands of the job... giving you more years of rugged use.

The Eagle's unique outfront seating design positions weight over the rear axle to carry a heavier load — up to 1,200 lbs. — with greater stability. The frame is made of heavy-duty carbon steel; the body of time-tested, 16-gauge, diamond-

plate steel, or corrosion-proof dent-resistant, RIM Polyurethane.

The result is better looking, longer lasting, and more productive.

The 3 hp. electric motor and the 8.5 or 12.5 hp., 4-cycle gasoline

engines all provide plenty of muscle to carry you up steep grades with the 44 x 39 x 9-inch cargo box filled to capacity. Independent

front suspension and the industry's only center takeoff

rack-and-pinion steering provide a smooth ride, responsive handling, and superb maneuverability. Front disc and rear drum brakes are standard on gas models.

With all the options and accessories available, nothing can come close to meeting your needs as precisely as the Cushman Eagle. It's what a true utility vehicle was meant to be.

For more information or a free test drive, contact the Cushman dealer nearest you today.



CUSHMAN®
BUILT TO LAST

NEW EVENT TAKES OFF!

The John Deere GCSAA/PGA Pro-Am Event was held at Edinburgh USA on July 27. There was a great turnout for this inaugural event. The teams were made up of the Superintendent, Golf Professional, Club President and Manager of each entered course.

The final team results were:

1. Lafayette Club
2. Mankato GC
3. Edinburgh USA
4. Lost Spur CC
5. Tartan Park GC
6. Island View CC
Madden's Resort
8. Goodrich GC
9. Interlachen CC
10. Fargo CC
11. Oak Ridge CC
12. Minneapolis GC

The Professional results were:

1. Joel Goldstrand 71
2. Ken Ellsworth 72
3. Kevin Carter 74
4. Mike Zinni 75
Jack Baldwin 75
Dave Kingsrud 75
Jim Terry 75
8. Craig Waryan 78
9. Mike Diebel 79
Bill Kidd 79
11. Rob Brown 80
12. Mike Berry 81

FIELD EVENTS

Closest to the Pin:

- #2 Superintendent-John Nylund, Braemar
- #8 Club President-Karl Donahue, Island View
- #14 PGA Professional-Bill Kidd, Interlachen
- #16 Club Manager-Tom Winters, Lost Spur

Longest Drive:

- #15 Superintendent-Jim Gardner, Rochester
- #12 Club President-Sue Gannott, Rolling Green
- #3 Club Manager-Chuck Schmidt, Elk River

MIDC
LTD.

MINNESOTA IRRIGATION
DISTRIBUTION CENTER

(612) 633-9416

Full Service Warehouse
2592 N. Cleveland Avenue
Roseville, MN 55113

*Large enough to meet your
needs . . . but small enough
to know who you are.*

STOCKING ALL THE
MAJOR MANUFACTURERS
SUPERIOR
IRRI-TROL
RICHEL
NELSON
HUNTER
NSS - SPECTRUM
FERTILIZER

continued from page 2

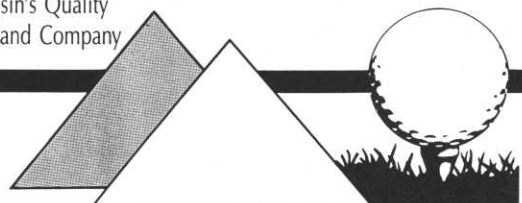
Research committee chairman, Scott Hoffman, continues to make arrangements on a Research tournament scheduled for October. The trust fund generated by this tournament will allow MGCSA to participate in important research which we are presently interested in but financially unable to support. Look for details and assist if you can.

August is here. In a month or so, we'll be on the back side of a tough season.

WAUPACA INDUSTRIAL SAND COMPANY

715-258-8566

Wisconsin's Quality
Silica Sand Company



Shipping To All Golf Courses In The Midwest
Topdressing • Bunkers • Construction Mixes
Sand • Peat • Topsoil

*Call us and find out why quality conscious golf courses
prefer doing business with us.*

year or years; referred sources only, or any combination of qualifiers. The database is constructed within the STAR database software, which features many search capabilities found only on mainframe-mounted and commercially-operated databases. This flexibility, combined with the speed of execution, makes online searching a powerful aid.

SEARCH RESULTS

Following execution of the constructed search strategy, records can be printed in a variety of formats, usually including basic bibliographic information (author, title, source, etc.), the descriptors assigned as index terms to the article, and an abstract, which usually summarizes methodology, results and conclusions. Customized output formats are also possible and can be controlled by users. Search sets are generally sorted by first-named author, though many other options are possible.

SERVICES OFFERED BY TGIC

1. Searching: To have TGIC personnel construct and execute a search, call or write the Center. Search results will be printed and mailed, normally within 48 hours.

2. Document Delivery: If a citation produced by a search contains an MSU Call Number within the record, a photocopy of the article can normally be sent out within a 48 hour period. (Limited single copies provided for private study, scholarship, or research only: if a user makes a request for, or later uses, a photocopy or reproduction for purposes in excess of "fair use," that user may be liable for copyright infringement).

3. Dial-up Access: If you are interested in searching the database remotely, please contact TGIC to receive the necessary technical details and registration forms. Dial-up access will be supported for most IBM PC or PC-compatible systems running under PC or MS-DOS with a 1200 baud auto-dial Hayes-compatible modem and the necessary terminal emulation software. An electronic mail and bulletin board system will also be supported for communications between dial-up users as well as with TGIC at MSU. Documentation to guide search

strategy construction, control output formats, and download records will be included in the subscription dial-up service. The computer will be available for access 18 hrs/day, 7 days a week.

4. Service Fees: To be determined.

WHAT THE TURFGRASS INFORMATION CENTER DOES
Acquire and hold materials relevant to turfgrass research, professional training, and turf management.

Index and Abstract materials for inclusion in the online file, including the development of a Turfgrass Thesaurus to guide indexing and searching. The Thesaurus currently contains over 11,000 terms and details interrelationships between useful search keywords. It will be available for distribution in 1987 to aid search strategy construction, and is also available online alongside TGIF.

Facilitate Access by searching the database, providing the printed bibliography resulting from a search, and supporting remote searching.

Document Delivery by providing access to source documents held in the MSU Libraries.

HOW CAN YOU HELP

Contribute materials written, edited or distributed by yourself or your institution/agency/association/corporation. The more information processed by the Center, the more that is available online. Put us on your mailing list, and send us reprints of your publications.

BEFORE YOU CALL

Identify your topic concisely, and inventory synonyms, acronyms, or closely-related terms to help in search construction.

WHO TO CONTACT:

USGA Turfgrass Information File
Turfgrass Information Center
Library W-212
Michigan State University
East Lansing, MI 48824-1048

(517)353-7209
8 am - 5 pm EST
Mon. - Fri.

BEFORE WE DEVELOPED THESE PROBLEM-SOLVING TURFGRASS MIXTURES, WE MARCHED THROUGH ACRES AND ACRES OF PROBLEMS.



Nobody knows the troubles we've seen.

Our Northrup King turf specialists and researchers have hoofed through salt problems, soil compaction, disease, starved turf, baked turf, clefted-to-shreds turf, and dormant winter turf—all depressing sights. But it was a road well worth our travels.

The result is a complete line of Medalist® turfgrass formulas that meet the demands of the professional turf manager.

If you've been staring down at a turf problem, look up your solution here. And if you think it's a turf problem we haven't seen, just let us know.

Our business is putting your problems behind us.



MEDALIST TURF PRODUCT	MAJOR AREAS OF USE	SPECIAL FEATURES
Athletic Pro and Athletic Pro II	For athletic turf.	Well suited for new seeding or overseeding. Fast establishing, traffic tolerant, rapid recovery. Both provide good footing.
Boulevard Mix	Any area with high pH (roadsides, sidewalks, boulevards, alkaline soils, etc.).	Contains 'Fults' and Dawson red fescue for beautiful salt-tolerant turf. Performs at low to high fertility levels.
Landscape Pro Mix	School grounds, cemeteries, golf course roughs, home lawns.	Establishes fast. Adapts to broad range of conditions and management levels. Low to moderate fertility needs.
Overseeder II Mix	Fairways, tees, athletic fields.	Rapid germination and establishment. Withstands heavy traffic and resists diseases. Penetrates compacted soils.
Medalist North Mix	Fairways, tees, cart paths, wear areas.	Quality turf for high traffic areas. Clean mowing and disease resistant.
Premium Sod Blend	Commercial sod production.	Exceptional dark green color. Tolerates light shade. Superior disease resistance. Rapid sod producer.
Renovator Pro Mix	Problem solver for heavy traffic areas (athletic fields, golf tees, and fairways).	Penetrates compacted soils and combats <i>Poa annua</i> . Adaptable to most geographic regions.
Medalist Brand Overseeding Products	Winter overseeding of dormant bermudagrass.	Establishes rapidly and evenly. Tolerates traffic while providing a superior putting surface. Smooth spring transition.

Ask your Northrup King distributor about Medalist Turf Products to solve your turf problems. Or write Northrup King Medalist Turf Products, P.O. Box 959, Minneapolis, MN 55440.