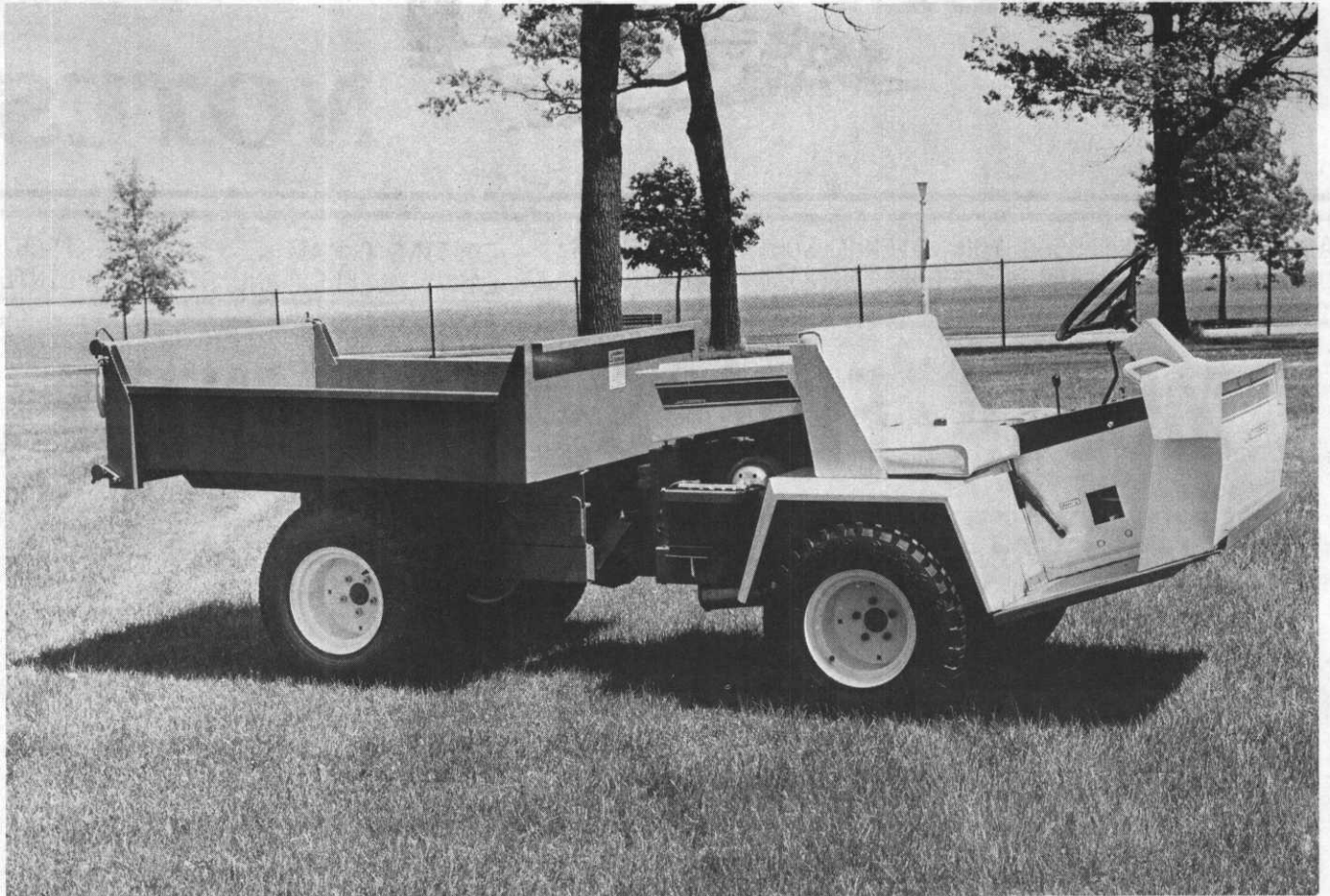


the articulated, 4-wheel drive truck that goes everywhere



The Jacobsen Model UV4 truck goes where you want to go, regardless of the terrain. So will a pack mule. However, no one's invented a pack mule that will carry two men plus 2000 pounds of equipment and get you there at 8 miles an hour. Or dump the load hydraulically and return at 20 miles an hour. And who ever heard of a mule that will go backwards at 4 miles an hour.

The Model UV4 does all of that and more. With 4-wheel drive and articulated design, this truck takes on hills, ruts and other obstacles while it's carrying a full ton of dirt, sand, fertilizer, chemicals or equipment.

Powered by a 16 HP engine, the UV4 features a

rugged torque converter transmission with two forward speeds, plus reverse, along with powerful hydraulic brakes. The box handles items 5 feet long and 4 feet wide. The tailgate hinges at the top and bottom for your choice of loading and dumping. And dumping is no problem because it's all done hydraulically with the flip of a lever.

Test drive the UV4 at Gould's or better yet, arrange a demonstration on your own obstacle course and have 2,000 pounds of something handy to take along for the ride.



R. L. GOULD & CO.
LAWN GARDEN AND TURF SUPPLIES AND EQUIPMENT
3711 LEXINGTON AVE. NO.
ST. PAUL, MINN. 55112
(612) 484-8411

Continued from Page 3

may benefit from knowing who past presidents were and problems that our association has dealt with in the past.

Research and education are prime examples of what our past generations have instilled in today's members. We have a broad base of contributors to our Research Fund. However, in the past few years the total number of contributors has never exceeded forty-five, whether they be clubs, individual members, associations or distributors.

We are the leaders in the turf industry and the research efforts aid all members in providing better turf. We can't sit back and wait for people to develop better ways of maintaining our turf. We have to take the initiative and direct and select people or institutions to conduct our research.

I hope by this time next year we have 300 contributors. Maybe some of our clubs aren't concerned but each association member should be! A five dollar contribution by each member would produce over \$1,500! We have many avenues to pursue in the research area and it is my hope that our Research Fund and the number of its contributors continue to grow.

Another concern is our active communication with the Arrowhead Turf Association, the Red River Valley Association and our many members and friends from South Dakota and Wisconsin. They have generously supported our Research Fund. If at any time these groups would like me or any of the Executive Committee members to attend one of their meetings, they should ask.

One Monday every month we have a meeting and golf, if possible. I would also like to set aside one other Monday each month for me or another board member to visit other superintendents' golf facilities. If for any reason you would like a visit, please call me.

Again it is an honor to be president of our association. It will be a lot of work but I'm ready for it.

My wife, Candy, sees it as an honor also. It's her only chance to be first lady so she calls herself the "First Lady of the Supes".

In closing, a special thank you and appreciation to John Nylund and his committee for an outstanding conference.

When we elected John as Treasurer, he had one year remaining as a Director. I have selected and the Executive Board has unanimously approved the appointment of Jim Lindblad to finish that year as Director.

Also a special welcome to Steve Young, Don Lindblad, Roger Kisch and Jerry McCann as new members to the Executive Committee. They all have accepted important committee appointments and are ready to serve the association in the coming year.

On page 4 you will find a list of committees to be active in the coming year and their chairpersons.

Happy New Year! May your year be prosperous, successful and a "disease free" year!

Sincerely,

Dick DeSplinter

STRAIGHT TALK FROM YOUR PRESIDENT

First I will introduce myself. My name is Richard DeSplinter and I have been employed by the City of New Hope for the past nine years. Prior to that I worked one season under Dick Ulrick at the Brookview Golf Course.

I was raised on a farm in southwestern Minnesota and graduated from Jasper High School, Jasper, Minnesota in 1964. I attended the Minnesota School of Business for one year, spent two years of duty '65 - '67 with the U.S. Army, one year at Worthington Junior College, three years at the University of Minnesota and graduated from there with a Bachelor of Applied Studies Degree.

I have served on the M.G.C.S.A. Board of Directors since December 1975. I have chaired the education, membership, finance and research committees.

To begin my message very simply: We must set goals in order to have something toward which to work!

My goal this year as president is to serve the organization in such ways to provide service to its members.

I believe the M.G.C.S.A. was initiated to have its members share their ideas, talk over their job related problems, develop fellowship with other members and gain education in growing better turf. We should have this association serve us as members. The dues we pay, the educational seminars we sponsor, our annual business meetings, our life, honorary and associate members are all an integral part of this association.

We have to continue to develop a good communication system. Our best way of communicating is by conversing. Some people do not want to share in the limelight or feel they are not qualified. Some feel their jobs are not as important as that of the next superintendent which is a fallacy! Each one of us has a job responsibility created by the golf industry and our employers. Our professional duty is to meet that responsibility and as an association we have a responsibility to one another.

Our second best communication device is the HOLE NOTES. Now I can't make people converse; however, I can make a healthy effort to insure that the HOLE NOTES communicates to its readers.

My main goal for the HOLE NOTES is to increase the number of articles written by the members. This should make the NOTES more enjoyable to read and it should increase the reading audience and, therefore, will also be of benefit to our advertisers.

There are a number of people in this association that I personally don't know. I may have been introduced at one time or another but for myself and many others, it's difficult to be certain that every member is receiving the full benefit of the association. Needless to say, we will have some unsatisfied members and some members who may not care, but I think for those of us who do, and especially for the members you have elected to offices and directorships, it is our duty to promote the golf superintendent and his image in the turf industry.

With the addition of electing four board members we have widened our Executive Board interaction possibilities. It would please me if members would request time and voice opinions or suggestions at any of our future Executive Committee Meetings.

Another concern that I have is that we become more aware of the association's history. It's very important to know where we have been in order to construct a road for the future. I plan to activate a Historical Committee to reflect on our past. I think we

Continued on Page 2

1980 COMMITTEE ASSIGNMENTS:

NOMINATING COMMITTEE

George Ostler

BYLAWS COMMITTEE

Jerry Bibbey

FINANCE COMMITTEE

John Nylund

MEMBERSHIP COMMITTEE

Steve Young

HOLE NOTES Committee

Roger Kisch

EDUCATION COMMITTEE

Don Lindblad

**INDUSTRIAL & PUBLIC
RELATIONS COMMITTEE**

George Ostler and

Dick DeSplinter

ARRANGEMENTS COMMITTEE

Jerry McCann

ENTERTAINMENT COMMITTEE

Jim Lindblad

TOURNAMENT COMMITTEE

Still To Be Named

**SCHOLARSHIP, ECOLOGY AND
RESEARCH COMMITTEE**

Dennis Hendrickson

ANNUAL CONFERENCE COMMITTEE
Combine Education, Arrange-
ments & Entertainment
committees

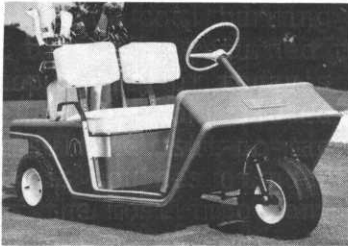
HISTORIAN

Dick DeSplinter

**ANNUAL CONFERENCE REGISTRA-
TION COMMITTEE**

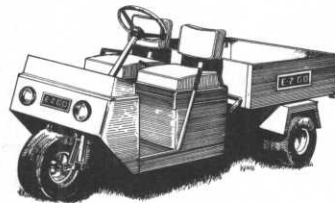
Still To Be Named

E-Z-GO

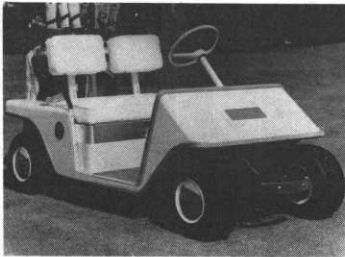


**THE E-Z-GO
MAINTENANCE
MACHINE
GT-7 TRUCK**

**E-Z-GO GOLF CAR
THREE WHEEL MODEL
GAS OR ELECTRIC**



**E-Z-GO GOLF CAR
FOUR WHEEL MODEL
GAS OR ELECTRIC**



LOWEST POSSIBLE PRICES ON ALL NEW AND
USED GOLF CARS AND GT-7 TRUCKS.

LARGEST SELECTION OF USED GAS AND ELECTRIC
THREE AND FOUR WHEEL GOLF CARS.

FOR MORE INFORMATION CALL OR WRITE

Stegner Golf Cars

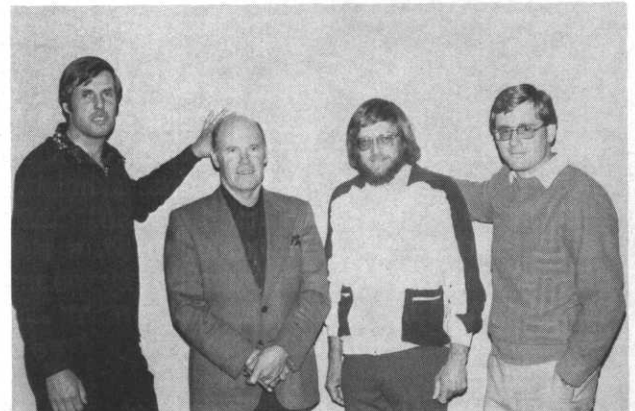
DISTRIBUTORS OF E-Z-GO

5900 University Ave. NE Rainbow Bldg. Main St.
Minneapolis, Minn. 55432 Ortonville, MN 56278
Phone 612/571-4230 Phone 612/839-2511

SALES-SERVICE-LEASING-PARTS



NEW OFFICERS. Left to right, Larry Mueller,
Secretary; Dick DeSplinter, President;
Dennis Hendrickson, Vice-President; and
John Nylund, Treasurer.



NEW DIRECTORS. Left to right, Roger Kisch,
Southview; Jerry McCann, Daytona; Don
Lindblad, Majestic Oaks; and Steve Young,
Baker Park.

ROBERTSON

TURF CARE PRODUCTS

ANOTHER QUALITY LINE!!
IS NOW AVAILABLE FROM ROBERTSON

BUNTON

COMMERCIAL LAWN-TURF EQUIPMENT



71" and 61"
FRONT ROTARY TRACTOR MOWER
19 or 30 HORSEPOWER
GAS OR DIESEL ENGINE

- FIRST TRACTOR-MOWER WITH A DIESEL
- EXCELLENT VISIBILITY
- OPTIMUM HANDLING EASE
- ZERO TURNING RADIUS
- SUPERIOR RUGGEDNESS (7 GAUGE STEEL)
- EASY ACCESS FOR SERVICING
- LOWER NOISE
- SNOWPLOW & BROOM AVAILABLE
- FOUR DIFFERENT ENGINE OPTIONS



GAS OR DIESEL
32" - 36" - 52"
AVAILABLE IN BATTERY START



BUNTON
SELF PROPELLED MOWERS

24-28-32-36-OR 52" WIDTHS
CUT ANY HILLSIDE YOU CAN WALK



VARIABLE SPEED DRIVE
FOR FINE TURF OR ROUGH AREAS
SULKY RIDER AVAILABLE



EASY EMPTY GRASS CATCHER
CHOICE OF 8 ENGINE
OPTIONS - GAS OR DIESEL

BUNTON

LAWN-TURF EQUIPMENT

RUGGEDLY BUILT
LONG LIFE
LOW DOWNTIME
SICKLE STEEL BLADES
FINGER TIP CONTROLS

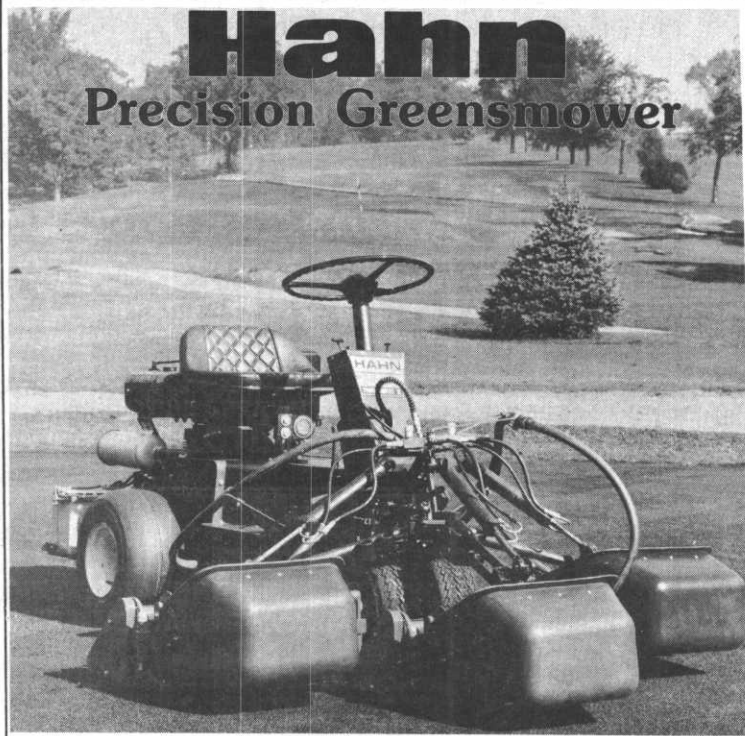


18 - 21 & 22" MOWERS
PUSH TYPE & FRONT WHEEL DRIVE
LARGE STEEL WHEELS WITH
GREASE FITTINGS

MADE IN USA

IS PROUD TO ANNOUNCE.....
 WE HAVE BEEN APPOINTED
 THE EXCLUSIVE MIDWEST
 DISTRIBUTOR FOR

HAHN
 HANSON
 BUNTON

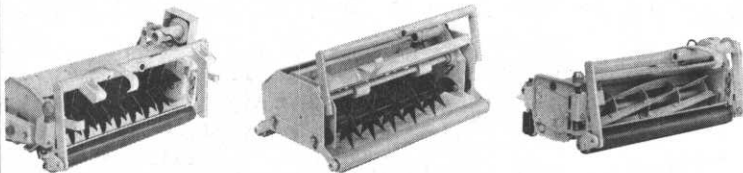


Hahn
 Precision Greensmower

Hahn Tournament 1202

NEW QUICK-ADJUST REEL: adjust reel to bed knife without disturbing height of cut.
 CABLE DRIVEN REEL: provides constant reel speed independent of ground speed. Eliminates hydraulic oil leaks.
 MOST PRECISE CUT AVAILABLE: a full 67" even in turns.

Converts in minutes to become a
VERTI-CUT®, **VIBRA-SPIKER®**, **TEE MOWER**.



...AMERICA'S LEADING SPRAYER
 MANUFACTURER

ALL THE OPTIONS TO PROVIDE SPRAYING
 TO MEET YOUR NEEDS **EXACTLY!**

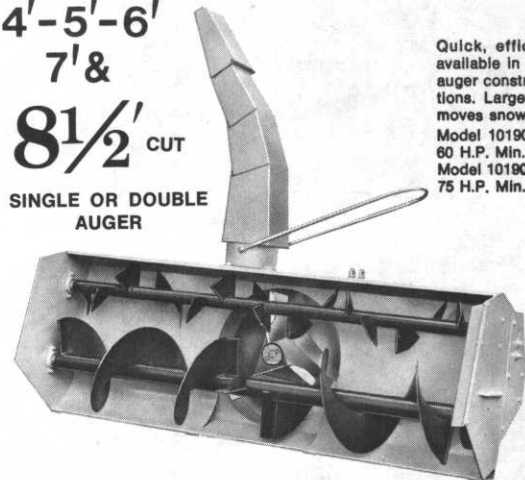
- TRAILER UNITS
- SKID UNITS
- 3 POINT SPRAYERS
- BOOMS AND HANDGUNS

HANSON SNOW BLOWERS

4'-5'-6'
 7' &

8 1/2' CUT

SINGLE OR DOUBLE
 AUGER



Quick, efficient 8 1/2' unit is available in single and double auger construction plus all options. Large 29" fan diameter moves snow from augers fast.
 Model 101908 Single Auger, 60 H.P. Min.
 Model 101909 Double Auger, 75 H.P. Min.

ROBERTSON

TURF CARE PRODUCTS

4600 Akron Avenue
 Inver Grove Hts., MN 55075
 TELEPHONE 612-455-8500

- ALSO OFFERS: COMPLETE PARTS DEPT.
- BRIGGS & STRATTON PARTS & SERVICE CENTER
 - KOHLER PARTS & SERVICE CENTER
 - ONE DAY U.P.S. SERVICE
 - FIELD SERVICE VAN
 - PROMPT, COURTEOUS, PEOPLE

CALL JOE OR ORV FOR MORE INFORMATION AND FREE CATALOG.

SULFUR - The Forgotten Turf Nutrient

by Roger A. Brown, Sales Manager
The Andersons, Lawn Fertilizer Section, Maumee, Ohio

During the years 1957 through 1962 only 10 to 13 states were listed as having a Sulfur deficiency in their soils. Today there are at least 29 states deficient in this amazing life giving element. Sulfur is essential to the healthy growth of turf as well as all plants. Here are some of Sulfur's benefits to turf: 1) Improves water penetration in soil. 2) Increases availability of iron, manganese, copper, zinc and boron to the plant. 3) Improves soil structure. 4) Builds healthy protoplasm and plant tissue to help resist drought, disease and winter damage. 5) Enhances color. 6) Promotes turf growth and density. 7) Aids the turf response when used in combination with nitrogen. 8) Helps keep alkalinity in balance. 9) Aids nitrogen release from organic matter. 10) Improves recuperation capacity.

WHY IS THERE AN INCREASED NEED FOR SULFUR NOW? Substantial amounts of sulfur used to be in the air because of coal burning industries as well as coal burning home furnances. Sulfur would be carried to the soil and plants by rain. During the '50's as much as 200 lbs. of sulfur per acre would be included in the annual rainfall in the Chicago area while the rural areas of Kentucky only received 5 or 6 lbs. of Sulfur per acre annually. Today, because of very little sulfur coal burning and environmental controls eliminating sulfur emissions the amount of sulfur returned to the soil in rainfall has been practically eliminated. Before the popularity of today's high analysis plant food, most fertilizer had a high concentration of sulfur contributed by ingredients such as ammonium sulfate, superphosphate, potassium sulfate, sul-po-mag. But because of lower costs and greater availability, higher analysis sources of nutrients are used containing little or no sulfur. As a consequence, two of the most important sources of sulfur that have been washed out of the air by rain and a normal ingredient in fertilizer have almost been eliminated. The sulfur present in the soil is eventually used up or leached out. The more nitrogen used, the more sulfur is needed for proper turf growth. Depleted sulfur must be replenished or severe turf damage can result.

Call US
for the best
in Turf Equipment,
The KROMER CO
612/472-4167



- | | |
|-------------|---|
| *MYERS | Sprayers |
| *SMITHCO | Red Rider, Trucksters, Sprayers, Trap Rakes |
| *HOWARD | 48" to 82" Rotary Mowers |
| *HECKENDORN | 36" to 88" Rotary Mowers |
| *TURF-VAC | Leaf & Debris Vacuums |
| *ROSEMAN | Gang Mowers |
| *DIADEM | Fertilizer Spreaders |
| *HEFTY | Diesel & Gas Tractors |
| *DAVIS 500 | Golf Cars |
| *KWH | Blowers & Mist Blowers |
| *TEX. REF. | Tire Seal |
| *WD-40 | Preservative |

KROMER CO

3455 County Road 44, Mound, Mn. 55364
TELEPHONE 612-472-4167

HOW MUCH SULFUR DOES TURF REQUIRE? Normally grass contains as much sulfur as phosphorous. The more nitrogen that is fed the more phosphorous, potash and sulfur needed. For example, if 4 lbs. of nitrogen were fed each thousand sq. ft. of turf it would require 1 lb. of phosphorous; 2 lbs. of potash and 1 lb. of sulfur. Sandy soils would require more sulfur because of leaching tendencies.

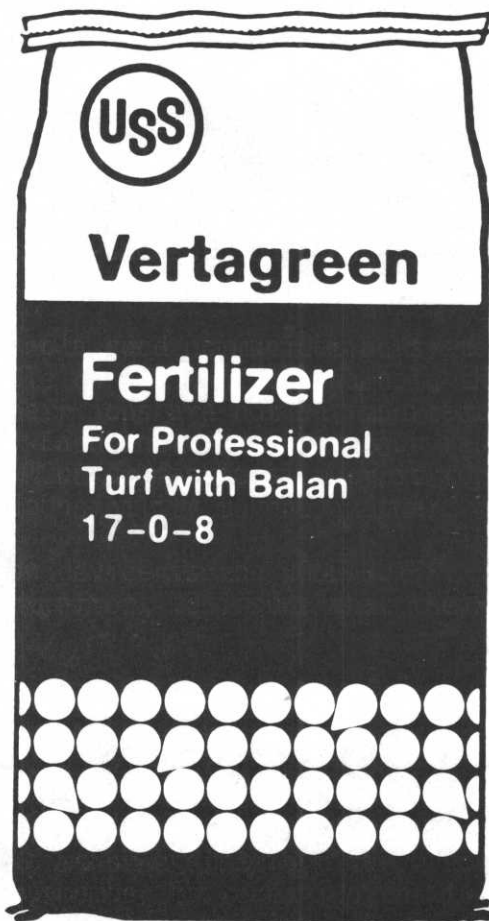
CAN SULFUR BE TOXIC TO GRASS? The major sulfur villain is sulfur dioxide usually produced by smelters. This atmospheric contamination can completely kill plants. It is rare that sulfur added to the soil will harm plants. However, in arid or poorly drained soils, high concentrations of sulfates can cause problems by making calcium unavailable.

SULFUR DEFICIENCIES. Plants deficient in sulfur have very similar symptoms to those with a nitrogen deficiency; yellowing of leaves, faint scorching of leaf tip continuously until the whole leaf withers and dies.



Vertagreen

A product for all reasons



- Balan offers pre-emergence control of Poa Annua, crabgrass, goose grass, water grass and foxtail.
- Uniform particles flow smoothly, spread evenly.
- One-fourth the nitrogen is Urea-Formaldehyde
- Contains secondary and micro-nutrients — S, B, Mn, and Zn.
- All potash derived from sulfate of potash.



Agri-Chemicals

Division of United States Steel

P.O. Box 1685,
Atlanta, Georgia 30301

Distributed By

MINNESOTA TORO, INC.

CONFERENCE BREAKS ALL RECORDS

Our 52nd Annual Conference is now history. Our association is growing rapidly which is evident from our attendance of 215 people at the conference. Several of the speakers commented to me on how attentive and considerate the audiences were during the sessions. This I agreed with and feel our association can be very proud of these comments.

I would like to thank all the speakers for their part and the U.S.G.A. and G.C.S.A.A. for their representation at our conference. I would also like to thank my committee and all associate members who gave their time to help us. Last but certainly not least, our Master of Ceremonies, Warren Rebholz, who so willingly offered his showmanship to entertain us at the banquet.

I feel the conference can be improved every year with a little input from our association. If you have any feelings on improvements, please let them be known.

Our conference is one of the oldest and considered by many as one of the best so let's keep that reputation for our association.



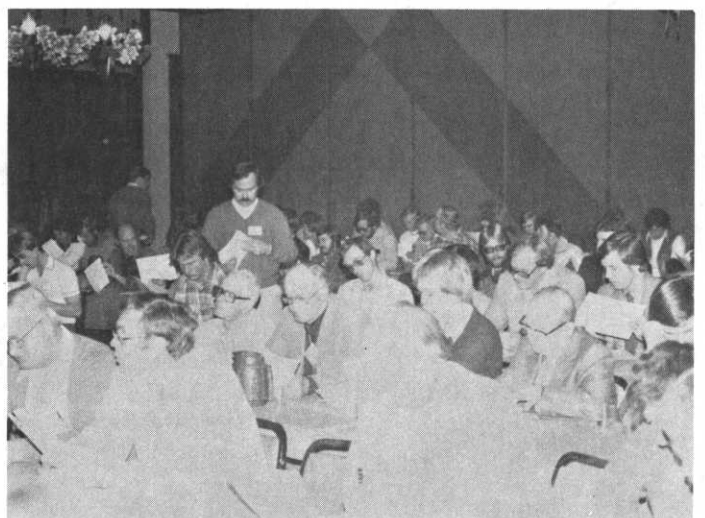
SCHOLARSHIP. George Ostler, left, and Andy Lindquist, right, admire scholarship certificate presented to Roger Bzdok, center.



WORDS OF WISDOM. Dr. Thomas Watschke speaks on Turf Grasses and Their Micro Climate.



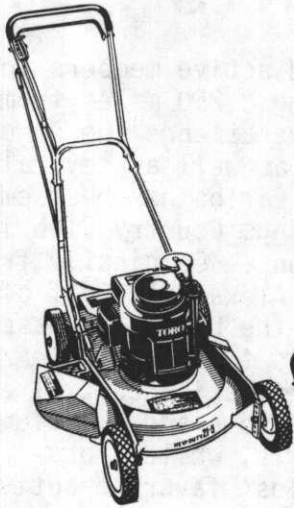
GOLF TALK. Steve Foehl of the U.S.G.A. updates members on the latest from Golf House.



CROWDED. John Nylund, center standing, passes out literature to eager participants.

TORO®

HEAVY DUTY MOWERS



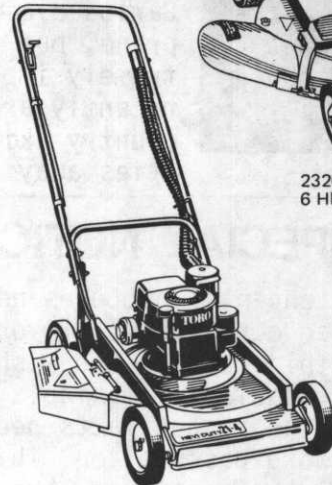
23158 HEVI DUTY
5 HP



23022 HEVI DUTY
5 HP



23370 HEVI DUTY
2 cycle



23400 HEVI DUTY
4 HP



23267 HEVI DUTY 25"
6 HP

TORO® Professional Trimmer



TORO® 21cc Trimmer.
The Professional
for high
performance
trimming.

One word describes this trimmer... **FAST.** Powerful 21cc engine drives the fixed nylon line cutting head utilizing four lines instead of just one. Smooth running ball bearing mountings and sealed gear box reduce maintenance and extend machine life.

Full loop handle for easy control. Well balanced to reduce operator fatigue.



TORO®
30cc Trimmer.
The Professional
for the really
tough jobs.

The heavy duty trimmer that delivers that extra cutting ability when the going really gets tough. The 30cc engine delivers its power smoothly through the drive shaft to the fixed nylon head. Handle bar has no-slip hand grips equipped with throttle control and a toggle type kill switch. Extra wide shoulder straps reduce operator fatigue. Optional accessories include an automatic line feed head, circular saw blade or 10" weed cutter blade to add versatility to this powerful trimmer.



MINNESOTA TORO, INC.

14900 Twenty First Avenue North Minneapolis, Minnesota 55441

Phone (612) 475-2200 G.N. Rasmussen Dan Evavold

