

Forse a force in renovations

PEABODY, Mass. — Golf course architect Ron Forse is in the midst of four renovation projects, including the Donald Ross-created Salem Country Club here.

Forse has also begun a three-year restoration and renovation of Nassau Country Club in Glen Cove, Long Island; a master redevelopment of Hanover Country Club in Abbottstown, Pa., near Gettysburg; and doing long-range improvement plan for Ozaukee Country Club in Mequon, Wis.

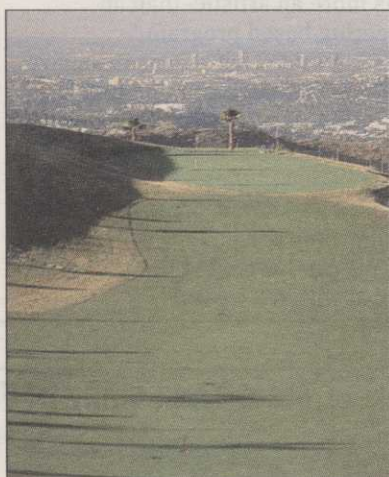
At Salem CC, ranked the Bay State's second-best course, Forse is rebuilding all 60 bunkers.

Nearly \$250,000 in work at Nassau CC, a track designed by Herbert Strong, numerous tees will be rebuilt and bunkers on seven holes will be rebuilt in phase one of the three-year project.

Hanover CC members have acquired 55 acres to allow a master construction of four new holes.

The development has been made necessary by a road that dissects four holes and which has become too busy since the course was designed by club charter member J.W. Gitt.

Forse has already rebuilt Ozaukee's 16th hole's green site, expanding its cupping areas but replicating the original putting characteristics and contours of the green. A long-range improvement plan is now underway.



A MOVING EXPERIENCE

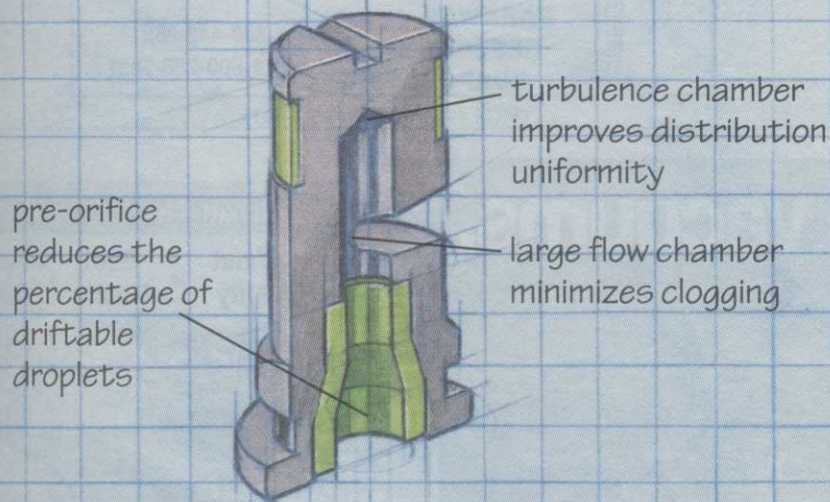
Shoal Canyon, built on a mountain-top landfill in Glendale, Calif., has opened for play. An American Golf Corp. project, built in partnership with the city of Glendale and designed by Gill & Associates, is expected to sink at rates of up to six feet per year on some portions. Twelve holes are built on the former landfill, while six are perched atop a granite knoll, with views of the Los Angeles basin. The land has no other practical use, so the city pursued the golf course project.

EXECUTIVE TRACK FIRST OF SERIES?

NEW BRAUNFELS, Texas — Construction is ongoing at Golf Parks — New Braunfels, an upscale golf practice facility with an 18-hole executive golf course. The \$2 million 85-acre facility was designed by Richmond, Va.-based golf course architect Lester George. It includes a practice range with 50 artificial turf stations, private lesson tees, practice bunkers and a 3,500-yard 18-hole executive course. The range is scheduled to open in March 1995 and the course in July 1995. The developers, Robert and Sue Puetz of Austin, plan to build other such facilities in other Texas cities.

9 'REPOSITIONED' AT GULF HARBOUR

FORT MYERS, Fla. — Gulf Harbour Yacht & Country Club recently opened the re-positioned back nine holes of its 18-hole golf course here. The holes were moved to allow access to the scenic waterfront property adjacent to the Caloosahatchee River. Landscaping will receive extra attention in 1995 in order to promote a more rapid turf establishment. New trees will be planted on the course in January. In addition to the existing 18 holes of golf, Gulf Harbour will open a 190-slip marina in February 1995, and four tennis courts and a pro shop within the next few months.



CAUSE

EFFECT

You've invested in chemicals, and you want the most out of that investment. But you need to protect your turf and sensitive florals, too. Thanks to a special turbulence chamber and pre-orifice in our Turbo FloodJet® tip, you no longer have to sacrifice effective coverage for drift control — or vice versa. The Turbo FloodJet tip. There's no better way to spray.

Free Drift Management Tool Get a specialized slide rule that helps applicators choose the right tip to manage drift for each spray situation — free! Just write to: Drift Tip Selector, Spraying Systems Co., P.O. Box 7900, Wheaton, IL 60189-7900.

 **Spraying Systems Co.**
P.O. Box 7900, Wheaton, IL 60189-7900

TeeJet®
The Drift Control Tip