



# “Welcome to the South’s next great winter golf green.”

— Howard Kaerwer, Director of Turf Research at Northrup King’s Research Center

From one of these unlikely looking clumps of ryegrass will come the next improvement in Northrup King Medalist Brand® Overseeding Mixtures. The South’s most successful blends for over a decade.

Howard Kaerwer and the Northrup King research team have devoted thirty years to developing new grasses and perfecting blends. The results are products such as Medalist 7 Brand, the rugged, dependable ryegrass blend that lets *you* control transition. And new grasses like Delray, with lower nitrogen requirements and better tillering than any other ryegrass on the market.

When Howard isn’t in the lab he’s on the links talking to superintendents, conducting field experiments and collecting new grass samples to bring back for testing.

Has Howard’s hard work paid off? Ten years after the introduction of Medalist Brand, 90% of 250 original customers were still with Northrup King. And since then, the number has grown to over 400 golf courses throughout the South.

Ask your Northrup King distributor how to make your course even better with Medalist Brand, the South’s most successful winter overseeding blends.

Or write: Medalist Turf Products, Northrup King Co., P.O. Box 370, Richardson, TX 75080 or P.O. Box 959, Minneapolis, MN 55440.



# Introducing the C·I·L line of professional turf fertilizers containing S.C.U.

## Developed for one professional, by another.

(PRILLS SHOWN ACTUAL SIZE)



(PRILLS SHOWN ACTUAL SIZE)



### FOR GREENS:

The new mini prill, specially developed for greens feeding.

### FOR FAIRWAYS:

C·I·L blended products bring you our quality S.C.U. direct.

They're the proven performance fertilizers, designed for your professional needs.



### Professional Turf Products

A Division of C·I·L CHEMICALS, INC.

Technical Sales Representative,  
Stanley J. Kleczynski, WATS (800) 241-0009

#### WOODBURY CHEMICAL COMPANY, FLORIDA DISTRIBUTOR

Princeton (305) 247-0524 FI. WATS (800) 432-3411	Boynton Beach (305) 499-4900	Tampa (813) 247-3621 FI. WATS (800) 282-2719	Mt. Dora (905) 383-2146 FI. WATS (800) 342-9234
---	---------------------------------	---	--

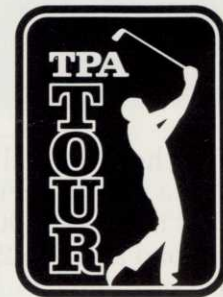
# The Palmer Overseeding Method

Arnold Palmer and Jim Ellison, Bay Hill's Superintendent, are very careful when choosing an overseeding mixture. Some of the world's top golfers have played at Bay Hill in Orlando, and they've come to expect certain standards.

To help maintain the Bay Hill image, Palmer and Ellison use Marvelgreen. And so do some other prestigious courses:

- Fairfield Harbor Country Club, NC
- Hounds Lake Golf Course, SC
- Port Royal Golf Course, SC
- Augusta Country Club, GA
- Jekyll Island Golf Course, GA
- Marshwood at the Landings, GA
- Amelia Island Plantation Golf Course, FL
- Killlearn Estates Golf Course, FL
- St. Andrews of the Gulf, MS
- Eden Isle Country Club, LA

Marvelgreen is also being used at the TPA TOUR Tournament Players Club, Ponte Vedra Beach, FL, Allan MacCurrach, Agronomist; Dave Postlethwait, Superintendent.



*Marvelgreen is a product of Lofts Seed Inc. and Great Western Seed Co., Inc., distributed through:*

**Sunbelt Seeds Inc.**  
Tucker GA 30084 ● (404) 491-1311

**Lofts/Maryland**  
Beltsville, MD  
(301) 937-9292

**Valley Seeds, Inc.**  
Phoenix, AZ  
(602) 257-1223

**Great Western Seed Co., Inc.**  
Albany, OR  
(503) 926-5892

**Harpool Seed Company**  
Denton, TX  
(817) 387-0545

**Richmond Power & Equipment**  
Richmond, VA  
(804) 353-3845

**Watson Distributing Co.**

Dallas, TX  
(214) 630-2222

**Anderson Chemical & Turf Supply**  
Westminster, CA  
(714) 897-0202

Houston, TX  
(713) 771-5771  
San Antonio, TX  
(512) 654-7065



# THE GT-7. ITS CARRYING CAPACITY IS NO EMPTY CLAIM.



No other golf utility vehicle on the market has a bigger carrying capacity than the GT-7. It'll haul a 1500 pound payload at up to 24 mph, without so much as a complaint. And its 19 cubic feet of cargo area can save you extra trips.

It's also available with a full line-up of accessories for aerating, seeding and spreading, top dressing or spraying.

The GT-7 is easier to service, has undentable fenders and a diamond steel rear bumper. Yet it

sells for about the same price as the leading competitor.



But don't just believe our claims. For a demonstration on your course, just call your E-Z-GO Branch Office or Distributor. They're in the Yellow Pages. Or call us at (612) 542-0516.

## **E-Z-GO** **TEXTRON**

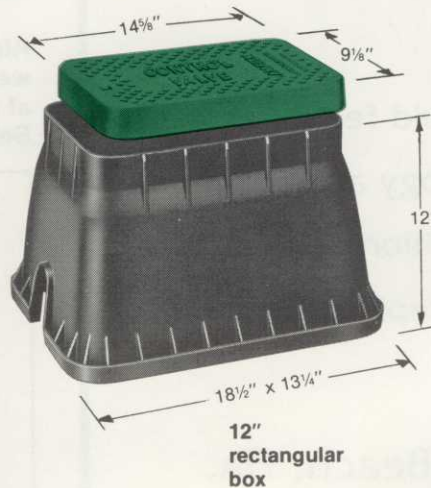
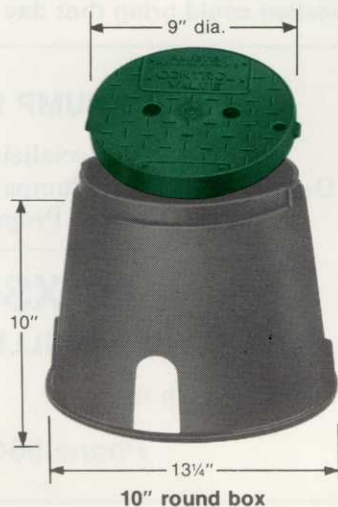
E-Z-Go Division Textron, Inc.  
P.O. Box 388 (13) • Marvin Griffin Rd.  
Augusta, Ga. 30913

# Control boxes for turf irrigation systems

Plymouth irrigation boxes are made of a strong, tough thermoplastic material especially suitable for underground use. They're lighter in weight, easier to handle and less brittle than the cast iron or concrete boxes. And, the covers feature molded-in green color to blend-in-with rather than stick-out-of your turf. Rectangular boxes have snap locking covers; 10" round boxes have twist lock covers; and 6" round boxes have snap fitting covers. All boxes nest for simplified storage. AMETEK, Plymouth Products Division, 502 Indiana Avenue, Sheboygan, WI 53081. (414) 457-9435.

**AMETEK**  
PLYMOUTH PRODUCTS DIVISION

REPRESENTED IN FLORIDA BY:  
**RICHARD DUNN  
R&D ASSOCIATES**  
502 N.W. 7th Street  
Delray Beach, FL 33444  
(305) 278-5271



Boxes stocked in Tampa for immediate delivery throughout Florida.

# get out of the water

Weeds grow all the time, even when you don't have time for them.

We specialize in aquatics. We have the people, the equipment, the know-how and the time to do it right.

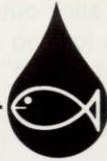
When we manage your water and shoreline areas, you spend your time on more important things. You know that your lakes are in the best possible hands.

*Serving golf courses and green spaces throughout Florida*

## FLORIDA AQUATIC

Licensed/Insured/Bonded

320 South State Road 7, Suites 3 & 4  
Fort Lauderdale, Florida 33317  
(305) 792-1500



## Permit Denial May Be Omen For Florida Golf Courses

By JAMES CALLAGHAN

The St. Johns River Water Management District has rejected the City of Sebastian's request to pump water from the Floridian Aquifer into a lake used to irrigate the city's municipal golf course. The district's main concern was that the high salt content of the Floridian water could have an adverse effect as it percolates into the shallow aquifer — the source of drinking water for many north Indian River County residents.

County Commissioner, Grover Fletcher, objected to the city's request because it was not in the public interest, nor was it a reasonable use. He further cited that the use of irrigation should not be used to foster the image of green vegetation for its own sake, be it elaborate landscaping or a golf course fairway. He said that *the game of golf should not have priority over human consumption.*

Mr. Fletcher has a valid point. And as more public officials become aware of today's water use requirements of Florida's golf courses, more water use permits may be denied. The State's denial for Sebastian's permit may indeed be an omen for golf course superintendents throughout Florida. We may have to bite the bullet and accept the fact that golf is played on grass and not the lush greenery that has become commonplace during the last two decades. And we will be responsible to educate our club's officials to this new fact of life.

The SJRWMD also noted that the city did not file a surface water management plan that shows how the golf course can be designed to trap rainwater for use in irrigation which may eliminate the need for wells. Now the newly built golf course may need to be restructured to channel surface water more effectively into irrigation lakes.

After the fallout from the recent drought, the days of high water use for golf courses in Florida may become a practice of the past. The action that the State took with the City of Sebastian could bring that day sooner than we realize. ■

## Liquid Ag Systems, Inc.

Quality Liquid Fertilizers

Metering Technology and Equipment

Turfgrass Nutrition Specialists

Total Concept Service

Pompano Beach, Fla.

(305) 971-0022

Naples, Fla.

Tampa, Fla.

### WELL AND PUMP INSTALLATION

Specializing in  
Deep Well Turbine Pumps — Service and Repair  
Maintenance Program Available

## MAXSON WELL DRILLING, INC.

3328 N. E. 11th Ave.

Oakland Park, Fla.

Phone 564-3419

you know us by the  
company we keep

**turfco** **INC.** 



**GRASS MACHINERY & ACCESSORIES**

**Hahn**



*Broyhill*

**TERRA 200**



**DX** DITCHER SAW

**FORE-PAR**



**K**  
**KOEHRING**

**ECHO**

**STANDARD**



**turfco inc.**

16300 N.W. 49th Avenue • Hialeah, Florida 33014 • Phone: (305) 621-4677

# Treasure Coast "Tide"ings

By JAMES P. CALLAGHAN  
Riomar Country Club

The unusually cold winter during the previous four years have prompted over 85% of the Golf Course Superintendents along the Treasure Coast to overseed their greens this year. The unpredictable weather patterns continued when area superintendents initiated their recent overseeding programs.

With the majority of superintendents in Martin, St. Lucie and Indian River Counties choosing the first week in December to overseed, they were confronted with a week of extremely cold weather during the germination period. In turn, the next three weeks brought unseasonably mild and humid conditions that encouraged vigorous competition from the bermudagrass and prevented a hardening off of the overseeding before the onset of the record cold temperatures that were recorded in mid-January.

By mid-February, another abnormal mild spell was into its fourth week. Many superintendents reported that since the bermudagrass was doing so well, they changed their cultural practices towards maintaining it rather than the cool season grasses.

Although the trials and tribulations induced by the weather persisted, most superintendents claimed that their overseeding programs fared relatively well. And they further commented that they would continue to overseed in the future to prevent "being caught with their pants down during cold weather."

## Ryegrasses Dominate

Most Treasure Coast superintendents rely on a blend of seed consisting predominately of perennial ryegrass in their

overseeding mixtures. Ryegrasses have proven successful in the past and many choose to stick with it. Some superintendents have incorporated bentgrasses, in part or whole, in their overseeding programs. This year they reported poor survival due to the hot and humid conditions, but stated that the bentgrasses resulted in superior putting conditions in years past.

However, the plurality of supers in this area bank on ryegrass to magnetize the golfer's eye to their greens. Today's golfer has been programed to see green and the ryegrasses seem to be the best species to transfer that actuality to his eye. Because of its extensive leaf area, adaptibility to close mowing, and disease resistance, ryegrasses have demonstrated desirable characteristics needed to insure success in overseeded greens. Ryegrasses also provide better wear properties that are not found in other cool season varieties.

## Similar Methods But Different Choices

Almost all superintendents in the Martin, St. Lucie, and Indian River County area utilize the same methods to execute their overseeding program. Greens are verticut lightly, seed is dispersed, topdressing applied, and incorporation of seed into soil profile by dragging. The first mowing takes place after the seedlings have reached better than 1/4" in height.

Although most superintendents practice the same methods in planting their overseeding, just as many have different choices when it comes to exactly what type or species of cool season grasses to use. Ross Saylor, superintendent of Stuart Yacht & Country Club reported that he applied Penncross at the rate of 4 lbs./1,000 ft.<sup>2</sup> in early November. He verticut and topdressed his greens one week prior to overseeding. Application of seed was made with no further topdressing. Greens were mowed for one full week without catching, resulting in smooth transition.

Both Sid Saloman IV of Indian Pines and Lonnie Stubbs of Sandpiper Bay Resort chose Lesco's CBS blend using 30 lbs. and reported favorable results. Lonnie overseeded two weeks earlier, around November 15, and stated germination was good since he beat December's cold snap.

Another favorable report was from Dodgertown where Bill Moolenar went with a blend of Jamestown (fescue) and Yorktown (perennial rye). Bill stated that there was good germination even during the cooler weather and is sold on the blend's outstanding appearance characteristics.

(Continued on Page 29)



## SPREAD—RITE, INC.

Custom Spreading

DOLOMITE  
FERTILIZER  
SULPHUR

P.O. BOX 25527  
Tamarac, Fla. 33320

PHONE  
(305) 482-7224



# Standard . . . the only name you need to know in golf course accessories!

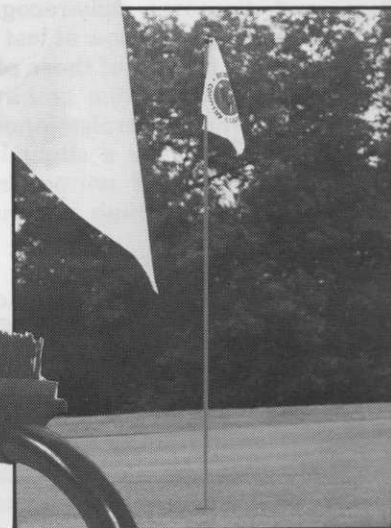
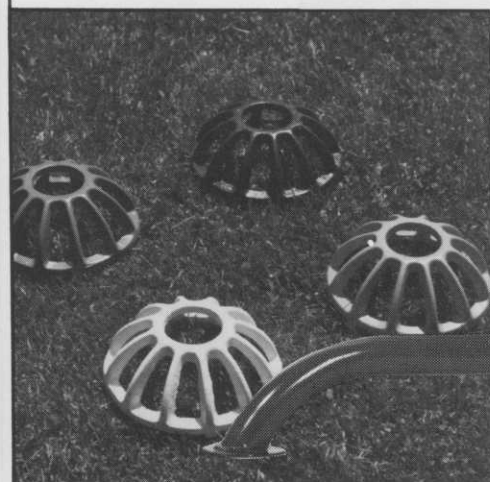
Ball washers, Tee Consoles, sand bunker rakes, regular and personalized flags, tee markers, putting cups, flag poles . . . you name it, Standard Golf Co. has it. Every item built to give you

long service and beautiful course decor! Call or write today. Our distributors can give you instant service.

## ***STANDARD GOLF***

***Pro-Line***

220 East Fourth St.  
Cedar Falls, Iowa 50613  
Phone 319-266-2638



# OUR GAME IS IMPROVING YOUR TURF



**FERTILIZERS-CHEMICALS-FUMIGANTS**

**See your Superior Golf Course Specialist**

LAMAR "SUNNY" SMITH	ED HAITHCOCK	DARRYL REJKO
Mobile: 305/832-0451	Mobile: 305/581-6123	305/746-0667
Unit 636	Unit 2425	305/747-3541

PLANTS IN TAMPA AND FT. PIERCE

## Study Shows Phenoxies Are Healthy

If you want to know what effects a chemical has on humans, doesn't it make sense to study a large group of people who have had close contact with that chemical for a long time?

That's exactly what has now been done to answer questions about the effects of 2,4,5-T and 2,4-D on human reproduction. Thanks to the cooperation of members of the National Agricultural Aviation Association, and members of their families, and to some fully-recognized scientists who conducted the study, we know at last that heavy, long-term exposure to either or both of those phenoxies has no effect on the incidence of abortion or birth defects. All of the details of this complete, professional study are now available. They actually show a slight improvement on both scores — live birth and normal babies — among the persons with long-term high exposure to phenoxy herbicides.

This exhaustive, scientific study stands in sharp contrast to the idiotic "investigations" at Alsea, Oregon, on which EPA based its 2,4,5-T action.

This new study has messages for all of us, the most important being: Rescind the ban on 2,4,5-T, fire anybody who had anything to do with the promotion of the Alsea fiction, especially those in EPA, and base future regulatory actions only on fact and science.

## ARBOR

**TREE & LANDSCAPE CO.**  
SERVING ALL OF FLORIDA



Specializing in Commercial  
Tree & Stump Removal

"We Keep Your Golf Course  
in Excellent Condition!!"

LICENSED & BONDED  
P.O. BOX 1387  
BOYNTON BEACH, FL 33435  
CALL COLLECT (305) 499-4461  
FOR FREE ESTIMATES

## LANTANA PEAT & SOIL

1123 State Road 441  
Boynton Beach, Fla.

Call "Ted" Collect

**1-305-732-4116**

### STERILIZED SOILS

TOP DRESSING ■ TOP SOIL

KEEPING GOLF COURSES GREEN