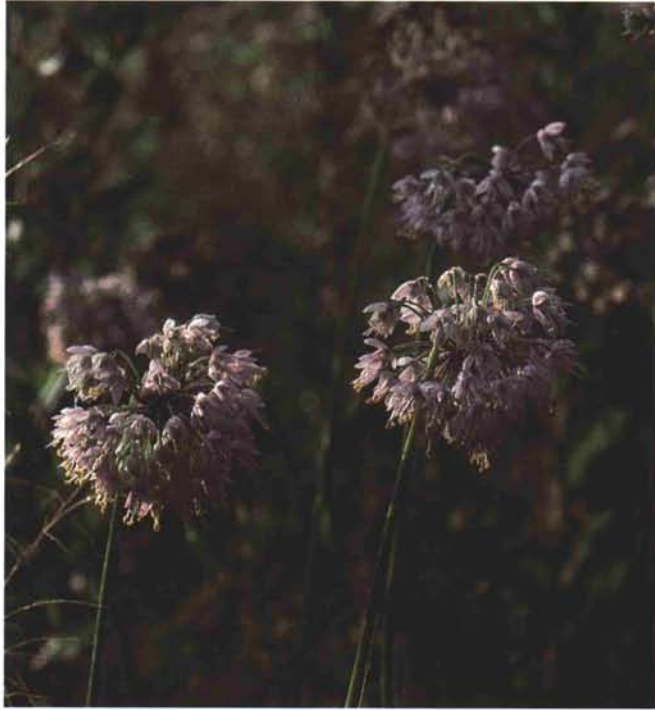


**Full Sun to Open Shade**




**Nodding wild onion (*Allium cernuum*)**

This showy native grows to 1 to 2 feet tall and forms drooping white-pink flowers in July and August. It is a native of woodlands, flood plains, and disturbed prairies.



**New England aster (*Aster novae-angliae*)**

This member of the aster family grows in a variety of locations and may reach to 5 feet tall. It has purple or blue ray flowers surrounding the gold-yellow disk flowers. It can be invasive, spreading by seed, and it normally occurs in moist prairies, meadows, and prairie remnants. 



**Tufted Hair Grass**

(*Deschampsia caespitosa*)

A cosmopolitan plant, this cool season grass can grow in sun or light shade. Deep green foliage grows at the plant's base, while the 3-foot-tall airy panicles are found in late spring and early summer. As the mature, the inflorescences become golden brown. It is a native of moist areas.



- Supplier and installer of quality large caliper Shade, Ornamental and Evergreen trees.
- Reduced pricing on select stock due to future development plans of our nursery.
- Perfect for instant shade, windbreaks, screening and beauty.
- Contact us for a tour of the nursery, current availability and/or pricing.
- (847) 949-6667  
(847) 949-6668 fax



*Poul's Landscaping  
& Nursery, Inc.*

6754 W. Indian Creek Road  
Long Grove, Illinois 60047



## FULL SERVICE GROUND WATER SPECIALISTS



# Meadow Equipment Sales & Service, Inc.

Well Drilling Contractors / Pump Service  
27 W. 021 St. Charles Road  
Carol Stream, IL 60188

- Water Well Drilling
- Pump Sales and Service
- Water Well Sealing & Capping
- Complete Waterwell Systems
- Large Selection of Pumps  
Line Shaft / Submersible
- Well Rehab & Chlorinations
- Maintenance Programs
- 24 Hour Emergency Service



**Authorized Sales and Service for  
Leading Pump Manufacturers**

**WHEATON:** (630) 231-6250  
**ST. CHARLES:** (630) 584-6210  
**TOLL FREE:** (800) 704-2415

*"Where Meadow Goes,  
the Water Flows"*

## *Introducing Landpride Multi Injection Systems*



The Only Unit On The Market  
To Inject Dry Or Liquids  
To The Root Of The Problem.  
And Introducing The Star Of  
The 1998 Masters - **SubAir**  
**Control The Root Zone  
Through Science**

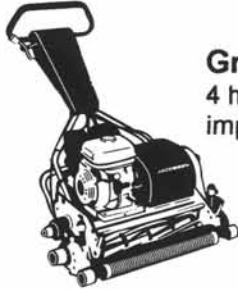


**Give Your Roots Some Air  
With SubAir Precision  
Injection Of Dry Or Liquid  
Amendments With LandPride  
Exclusively Distributed  
By: Lewis Equipment  
55 E. Palatine Rd.  
Prospect Heights IL 60070  
(847)537-6110 fax:(847)537-5736  
Represented By: John Berarducci  
Call The Bear:(847)367-7728  
mobile:(847)347-5105**

# Take another look at the most complete selection of **Jacobsen *World Class* Greens Mowing Equipment**

## **Greens King V diesel**

19.9hp Kubota engine, comfortable, tight wheel base, light balanced design 11 or 7 bld *Flash-Attach* reels, 2 or 3 wheel drive. A versatile machine!



## **Greens King 522**

4 hp Honda engine, loop handle, improved drive train, integral OPC

## **Greens King V gas**

same as above, with a quiet 18 hp Vanguard gasoline engine

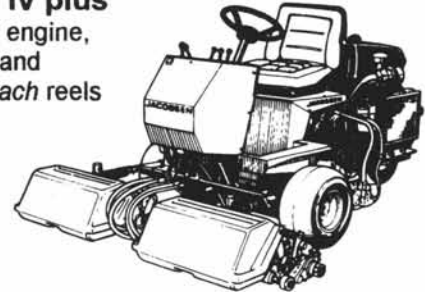
## **Greens King 522T**

same as above with a "T" handle for superior balance and maneuverability



## **Greens King IV plus**

18 hp Vanguard engine, power steering, and 11 bld *Flash-Attach* reels

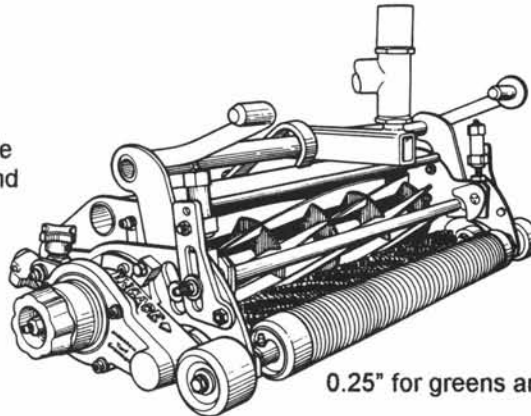


## **Greens King 518**

for authentic recreation of the surface that the course architect envisioned

## **Greens King 526**

H.D. 7 bld reels provide superior cut for tees and approaches



## **Greens King IV**

proven performer, 16 hp Vanguard, back lapping, 11 bld reels and a new price

## **Turf Groomer® Greens Conditioner**

0.25" for greens and 0.50" for bent grass tees and fairways

THE PROFESSIONAL'S CHOICE ON TURF.

**JACOBSEN**  
**TEXTRON**

Jacobsen Division of Textron Inc.

and



**illinois lawn  
equipment inc.**

800-942-8610

*120 Years of Combined Experience!*