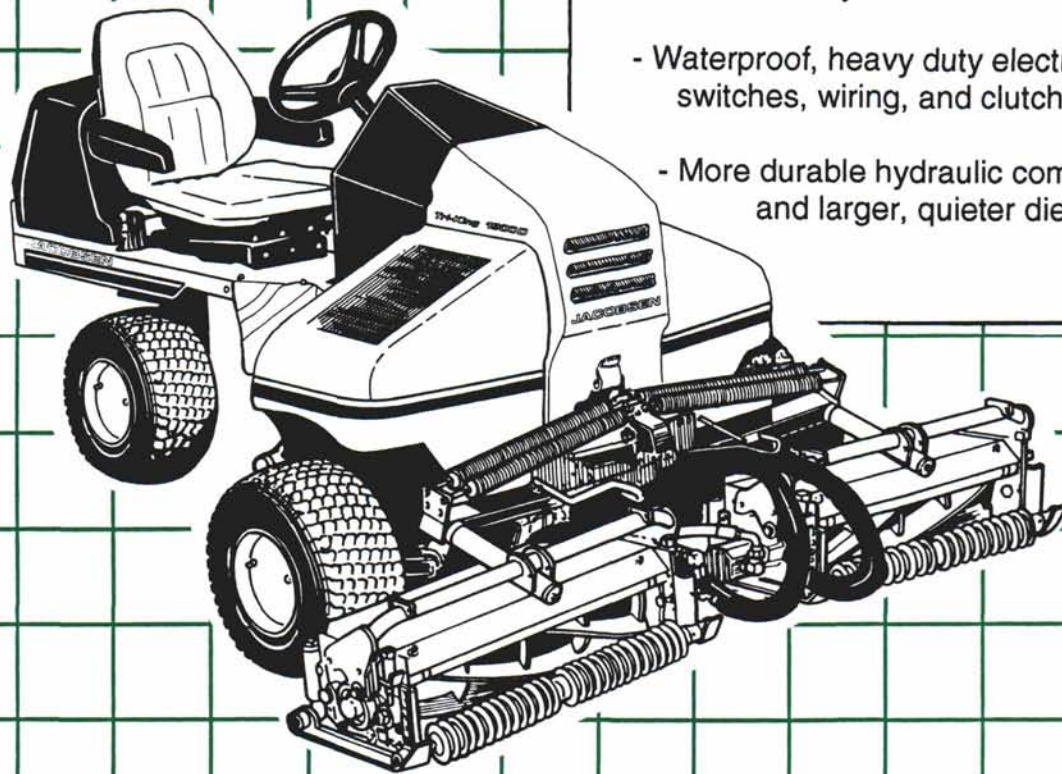


**Product Profile :**  
**Tri-King 1900 D**

**NEW**



**The 1900D - a completely new machine with five major improvements.**

- Hydraulic power steering and automatic three wheel drive
- Three piece hood for a no tools, easy access to all components
- Easy to adjust, positive height and reel to bed knife adjusters
- Waterproof, heavy duty electrical switches, wiring, and clutch
- More durable hydraulic components and larger, quieter diesel engine



**Illinois lawn equipment, inc.**

16450 South 104th Avenue • Orland Park Illinois 60462

708-349-8484



**Technology Backed By Tradition**

# Synopsis of the CDGA Green Seminar

Fred Opperman

The CDGA Green Seminar goes into the book as another excellent program Randy had to scramble at the last minute to fill the space when Frank Hannigan, the former USGA executive director, had to drop out due to illness. But between the USGA and the Ph.Ds of the University of Illinois, the space was filled very well.

Jerry Maatman, attorney, talked on "Liability Issues on the Golf Course." His main points were: 1. Make sure the club has adequate insurance coverage. 2. Pre-employment interviews need to follow some very strict guide-

*(continued on page 30)*



CDGA Green Seminar audience.



## Construction Services to the Golf Industry

*Your source for Golf Course Construction, Reconstruction & Improvement.*

*You have the Projects, Ideas & Needs. We have the Experience & Equipment to do the job Right the First time.*

Many Trucks  
Equipped with  
High Floatation  
Tires to  
Minimize  
Damage to your  
Golf Course



- New Construction
- Remodelling
- Irrigation
- Drainage
- Feature Shaping
- Trap Sand Replacement

- Water Control Structures •
- Pond Cleaning •
- New Ponds •
- Pond Lining •
- Cart Paths •



Specialized  
Equipment  
suited to  
Cleaning your  
existing Golf  
Course  
Water  
Features.

**CALL US TODAY!!**

**Lee Bruce**

**(608) 836-7041**

**Dave Weber**

Established 1953

**TRANSPLANTING**

# TREE Specialists

*"Plant a tree . . .  
create a legacy"*

- SPECIMEN LANDSCAPE MATERIAL
- CUSTOM DIGGING
- SHREDDED BARK MULCH



**HORTICULTURAL ENTERPRISES, INC.**

14440 MARENGO ROAD • UNION, ILLINOIS 60180

**847-669-8658 • FAX 847-669-8662**

Formerly known as WILLIAMSON NURSERY & ASSOC., INC.



**HALLORAN &  
YAUCH, INC.**

**IRRIGATION  
SYSTEMS**

2040 Lehigh Avenue  
Glenview, IL 60025  
Telephone 847.724.8660  
Fax 847.724.8659

- Irrigation Design & Installation
- Drainage Systems
- Pump Station Work & Consultation
- Irrigation Pipe & Supplies



## FULL SERVICE GROUND WATER SPECIALISTS



### Meadow Equipment Sales & Service, Inc.

Well Drilling Contractors / Pump Service  
27 W. 021 St. Charles Road  
Carol Stream, IL 60188

- Water Well Drilling
- Pump Sales and Service
- Water Well Sealing & Capping
- Complete Waterwell Systems
- Large Selection of Pumps  
Line Shaft / Submersible
- Well Rehab & Chlorinations
- Maintenance Programs
- 24 Hour Emergency Service

**Authorized Sales and Service for  
Leading Pump Manufacturers**

**WHEATON: (708) 231-6250  
ST. CHARLES: (708) 584-6210  
BENSENVILLE: (708) 766-1906**



*"Where Meadow Goes,  
the Water Flows"*

# 1995 Honeylocust Pest Complex

one- or two-year-old twigs, usually around the nodes. During a typical year, the eggs hatch about one or two weeks following bud break. During 1995, however, egg hatch coincided with the flush of new growth. Large numbers of nymphs were present, and their feeding activities resulted in quick and severe curling of the new shoots. Often, the damage was so severe that homeowners were convinced their honeylocusts had died over the winter because they were not leafing out.

*Rex Bastion, PhD*

**D**uring the spring of 1995, many honeylocust trees across the Midwest were severely injured by a complex of sap sucking insects. The term "complex" is used when several different insects are present at the same time on a host and cause similar injury. In this case, both the

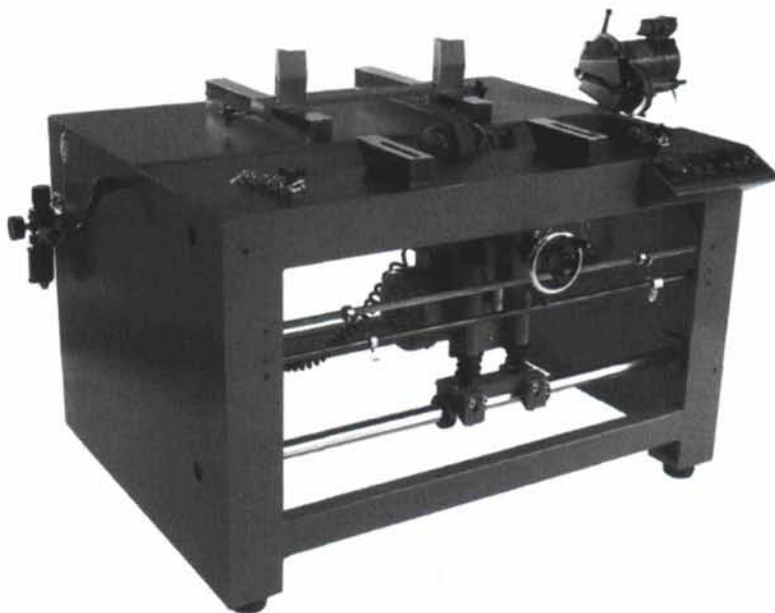
honeylocust plant bug and honeylocust leaf hopper were involved.

On many trees, both insect species were involved. On others, only one of the two. The biology of both insects is similar. Each overwinters in the egg stage. The eggs are typically inserted into

Nymphs of both species continue to feed as they mature, favoring developing foliage. Development is completed by late June, when clouds of flying adults can be dislodged by a simple tap on a branch. Mating occurs and the females insert their eggs into young twigs. These eggs will hatch the following spring. By the end of June, the vast majority of the plant bugs and leafhoppers

*(continued on page 34)*

## PEERLESS 2000



- > Quick Setup
- > Spin Grind
- > Relief Grind
- > Auto Traverse
- > Variable Spin

SIMPLEX-IDEAL-PEERLESS  
WE CARRY THE FULL LINE

**MIDWEST**  
TURF & TRACTOR

708-301-8500 or 815-469-8500

# PUT YOUR MONEY WHERE YOUR DOLLAR SPOTS IS

A lot of different turf products suggest using them as your "cornerstone."

Problem is, few tell you why. But with **CHIPCO® 26019** the reasons are clear. You see, **CHIPCO® 26019** offers you the dual action of both a contact fungicide *and* a local systemic fungicide.

So whether you tankmix or rotate, you can count on season-long control of Dollar Spot, Leaf Spot, Brown Patch, Fusarium Blight, Necrotic Ring Spot, even Pink and Gray Snow Molds. And *that's* what we call a cornerstone.

**CHIPCO® 26019**

KERRY ANDERSON

815-923-1323

Fax 815-923-1323

Car 815-592-3948

P.O. Box 21

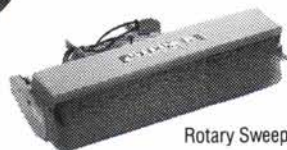
Union, IL 60180

**RHÔNE-POULENC** Rhône-Poulenc Ag Company, 2 T.W. Alexander Drive, Research Triangle Park, NC 27709. For further product information, please call 1-800-334-9745. As with any crop protection chemical, always read and follow instructions on the label. CHIPCO is a registered trademark of Rhône-Poulenc. ©1995 Rhône-Poulenc Ag Company.

## It's easy to get attached to



Looking to move up to the quality of a Steiner? You'll find the same quality Steiner engineering – with many of the capabilities of our most powerful models – in our four-wheel drive 410. It's designed for



Rotary Sweeper



Power Angle Blade

dirt and snow, edge, blow, chip, aerate and more – in minutes. Find out why the 410 is so easy to get attached to. See your authorized Steiner dealer today.

smooth handling with our unique articulated frame, low center of gravity, high flotation tires and responsive power steering. Best of all, thanks to its "Quick-Hitch" attachments, you're ready to mow, move



Tiller

**STEINER**

### THE STEINER

A TURF TRACTOR WITH A DIFFERENT TWIST

**ROSEMAN TRACTOR EQUIPMENT CO. INC.**

2620 Crawford Avenue

Evanston, IL 60201

847-864-1842 FAX 847-864-1938

### **Pythium root and crown rot**

Root and crown rots caused by *Pythium* spp. are oftentimes very distinctive from other root and crown diseases and can be diagnosed readily by an experienced pathologist. Individual plant symptoms include yellow to light brown discoloration of roots, stolons and tissues in the crown region. This light brown rot is very different than the dark brown to black root and crown rot caused by ectotrophic patch disease fungi such as *Magnaporthe* (summer patch) and *Gaeumannomyces* (take-all patch).

Field symptoms on putting green turf are not always as distinctive. Frequently, there are light green to yellow circular patches of turf that may first appear around the edge of a green or follow swales and drainage patterns where water

moves. However, in some cases, there is a more general thinning over a large expanse of a green with no distinct patches or streaks.

In the Chicago area, we have found distinctive *Pythium* root and crown rot only a few times (four to five); and, in most cases, it was on newly constructed bentgrass greens or tees with high sand content rootzones. *Pythium* root rot on *Poa annua* appears to be rare in the Chicago area, although it has been found more frequently in New York and other northeastern states.

Control of *Pythium* root rots with fungicides is difficult at best, which is typical of most root diseases. Once a positive diagnosis is made, a drench application of one of the labeled *Pythium* fungicides is recommended, and repeat applications may be required. Aliette, Banol and Koban have been the most consistent performers in the Northeast.

### **Pythium root dysfunction**

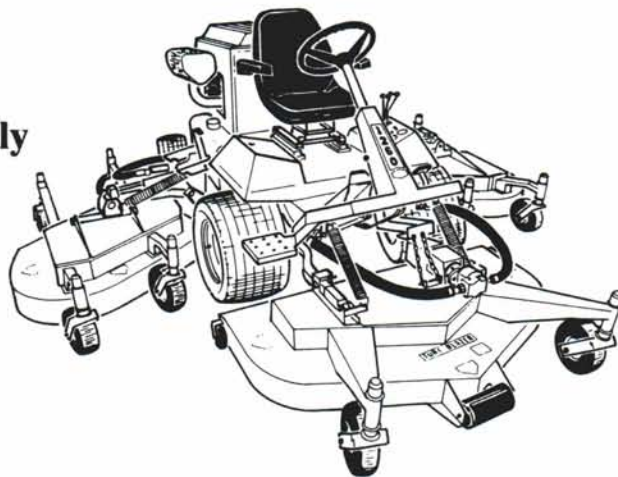
Another rarely-occurring problem that has been observed on new bent greens is *Pythium* root dysfunction (described by C.F. Hodges, Iowa State University). This differs from "typical" *Pythium* root rot in several important ways. First, this problem has been found only on immature bentgrass greens constructed with sand rootzone mixes that are less than 2 years old. Once the plants mature and the soil/root environment stabilizes, this problem gradually disappears. Also, *Pythium* root dysfunction usually occurs during renovation on an existing golf course and has been observed less often on new golf courses.

Second, there are no distinctive root or crown rot symptoms (browning or discoloration), only a noticeable loss of root depth and mass. Foliar symptoms are also

(continued on page 24)

## **"THE PRODUCTION MACHINE"**

- ✓ **High Capacity**
- ✓ **High Floatation**
- ✓ **Economical**
- ✓ **Cutting Units Operated Individually**  
(use 1, 2, or all 3 units)
- ✓ **40 H.P. Diesel**
- ✓ **126" Cut**
- ✓ **2 or 4 Wheel Drive**
- ✓ **Up to 5 years lease available.**



### **CALL:**

**BILL MORGAN  
TOM RALPH  
PAYLINE WEST  
225 N. RANDALL RD.  
ST. CHARLES, IL 60174**

**708/584-8700  
FAX 708/584-4453**



Scotts Introduces...



Triaform™ Technology is a superior alternative to any traditional fertilizer you've ever used. It's patented, environmentally sound process dramatically improves the physical characteristics of a homogeneous fertilizer granule while delivering excellent agronomic performance and handling. Triaform technology offers better methylene urea (MU) nitrogen distribution to deliver more available nitrogen to the plant.

An innovation you'd expect from a name you can trust.



For details, call your ProTurf Tech Rep

or 1-800-543-0006 today.

Premiere Soils

Top Dressing  
Construction Mixes  
Custom Blending  
Black Dirt  
Peat  
Dozer Work



[708]

534-8700

# Specializing in Golf Course Renovations

- Tees • Greens • Traps • Fairways
- Hydroseeding • Plant Installation •

company, inc.  
**don fiore**

landscape contractors & architects  
golf course contractors

28846 Nagel Court  
Lake Bluff, Illinois 60044  
708-234-0020  
Fax 708-234-0922

Certified Member: American Society of Landscape Architects  
Midwest Association of Golf Course Superintendents



## Our Greens Grade Fertilizers with Dimension® Keep You Tops In Your Class

For weed control and fertilization in a single application, you can't beat the high performance, uniformity and results you'll get out of our TeeTime combination products.

Find out more about how you can help your greens make the grade.

Call Craig Filley at 1-800-825-8639.

the professional's partner®



# the Bull Sheet

## DATES TO REMEMBER

April 29 — MAGCS monthly meeting at Klein Creek G.C.

May 6 — ITF combined golf day at Panther Creek C.C. and Illini C.C. in Springfield, IL.

June 11 — MAGCS monthly meeting at Odyssey G.C.

July 16 — MAGCS monthly meeting at Heritage Bluffs.

July 22 — 1996 John Deere Team Championship at Bull Valley G.C.

July 30 — Midwest Regional Turf Field Day at West Lafayette.

August 12 — MAGCS monthly meeting at Fox Run Golf Links.

August 21 — University of Illinois Field Day, Urbana.

August 23 — Family picnic and Kane County Cougars baseball.

September — MAGCS monthly meeting at Skokie C.C.

October 8 — MAGCS monthly meeting at Bryn Mawr C.C.

November 19-21 — Three-day Turfgrass and Ornamental Seminar at Purdue.

Jim McNair of Orchard Valley had a nice little project in late March. An outside landscape crew was hired to dig around his 1,800 trees on the course and place a

6- to 8-foot ring of shredded bark mulch around the trees. It took this crew about 7 working days to complete the task. The crew also planted 65 new trees.

Kathy and Mike Sauls are the proud parents of a baby boy. Thomas Michael was born February 27, 1996, and weighed in at 7 lbs. 10 oz.

Assistant needed at Kankakee C.C. Call Greg Coyne at 815-933-2548.

Congratulations to Dan Nielsen who is the new superintendent at the Golf Club of Illinois. Dan was the assistant to Brad Anderson at Midlane G.C.

Assistant needed now at Midlane, C.C., Wadsworth, IL. Send resume to Brad Anderson, Midlane C.C., 14565 Yorkhouse Rd., Wadsworth, IL 60083.

Laura and Gary Schweber, along with Josh, age 4, welcomed baby sister, Nicole Caitlin, into their family on March 19, 1996. Nicole weighed 7 lbs. 7 oz. and was 21 in. long.

Illinois Department of Agriculture, Bureau of Environmental Programs, has been calling on some courses to see if they have rinsesate pads and where and how their chemicals are stored. Plus licenses are asked to be seen.

For Sale: 1992 Brower 3-gang. Asking \$3,000 with some spare parts available. Call Bob Rigney at 708-739-8050.

Congratulations to Mike Mumper, the new superintendent at Ravisloe C.C. Mike was the assistant to Don Cross at Skokie C.C.

The newest certified superintendent is Kevin Knudson of Settlers Hill G.C. Kevin has been the superintendent at Settlers Hill since 1991. Congratulations!

A very nice PR piece was in the Chicago Tribune on Monday, April 1, 1996, on the local golf courses that have been certified with the Audubon Society. The article written by LeAnn Spencer went on to mention Aurora C.C., Cantigny G.C., Countryside G.C., Ivanhoe Club, Olympia Fields C.C., and Village Links of Glen Ellyn. The article had a color picture of Eric Foerster of Ivanhoe Club doing a control burn and one of Rich Niemi building birdhouses. The article was somewhat misquoted in stating that the Ivanhoe Club cut their pesticide use by 90%. It should have read that they cut their insecticide use by 90%. Good article.

For Sale: Sixteen #808 Impact sprinklers @ \$40 ea.; five Buckner part circle sprinklers @ \$120 ea.; eighty-four Weather Matic K70F; twenty Lesco green ball washers @ \$20 ea.; two 50 HP Jacuzzi Pumps, \$1,500 ea., rebuilt 2 years ago; two 6" Ames valves @ \$800 ea., used two seasons; four Lesco Triplex with Kohler 18 HP Magum and numerous Lesco and Jacobson eight-blade reels and rollers. For prices for the last items, call Bob or Merl at 708-672-4390 or fax at 708-672-6660.

I've noticed some vanity plates on the cars and trucks in our industry. Please send me yours, and in a later issue, I'll list them. At the present, I have seen:

(continued on page 28)





60"



40"

# JOIN THE REVOLUTION.

The New Aercore™ Aerators Have Arrived

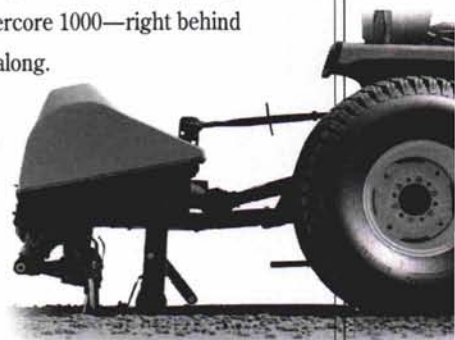
Revolutionary ideas often take simple forms. Consider John Deere's latest revolutionary products—the Aercore 1000 and Aercore 1500. The first tractor-mounted aerators that deliver high productivity without sacrificing hole quality, durability, or ease of service.

A quick look inside reveals the clean, simple logic of the Aercore designs. Easily accessible Kevlar® belts, instead of chains, power the systems. Making them quieter, more forgiving, and easier to maintain. Plus, mounting geometry and "flexi-link"



supporting arms ensure the tines stay perpendicular to the ground longer for a cleaner hole. The bottom line—the Aercore 1500 can punch up to 900,000 high-quality 4-inch holes an hour. The Aercore 1000—right behind at 600,000. They move right along.

Compare the John Deere Aercore 1000 and 1500 to the aerators you're using now. Then, call us today for a first-hand look.



NOTHING RUNS LIKE A DEERE®

## J.W. Turf, Inc.

14N937 U.S. Hwy 20  
Phone: 847/683-4653



Hampshire, IL 60140  
Fax: 847/683-3978

NOTHING RUNS LIKE A DEERE®

# RECOVERING FROM "THE SUMMER OF '95"

*Dave Blomquist, CGCS  
Naperville Country Club*

**A**s we embark upon a new year, hope springs eternal. Visions of pristine, lush, green playing conditions are dancing through everyone's heads. The absolute last thing anyone wants to think about now is "The Summer of '95." Maybe that was all a bad dream and golfers will show up this spring with a clean slate, oblivious to last season's problems and inconveniences. Well, I somehow don't think it will be that easy. As we know, when it comes to things like this, golfers have really good memories.

The underlying question from the golfers last year is WHAT HAPPENED? This season, if you haven't heard it



*Some clubs will be seeing these guys more often!*



*Usually a dreaded process – in 1995 most of us couldn't wait until it was time to aerify.*

already, the \$64,000 Question will be, What have we done to our courses, and/or management programs, so it won't happen again? I'm reasonably sure that everyone by now has found God and will reply to the aforementioned question by saying they are praying for a mild summer. After all, it wasn't our fault—right? We've never seen that kind of extended heat. Mother Nature threw a curve at us! We all know that it will probably take a little more than prayer to restore our courses back to pre-1995 conditions. A quick phone/modem poll of area superintendents has revealed some obvious, and not so obvious, replies to the \$64,000 Question:

*(continued on page 22)*