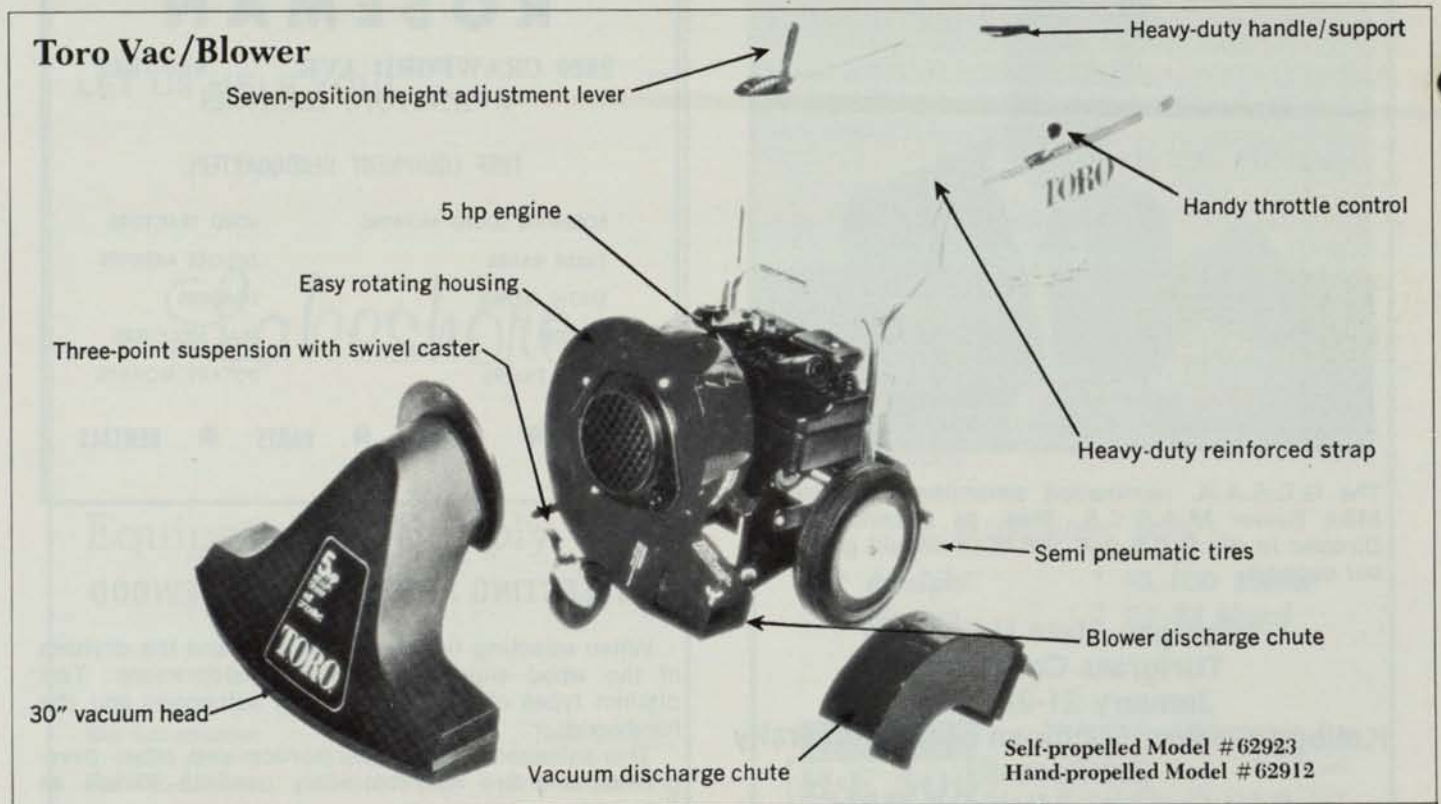


Toro Debris-Handling Equipment for 1976



Toro Vacuum-Blower: Toro has equipment that helps you *gather* debris quickly and easily. You can pick a Toro Vacuum-Blower that is hand-propelled or one that is self-propelled. Both convert from vacuum to leaf *blower* in less than five minutes without costly optional equipment or tools. Each holds up to seven bushels of leaves; has fittings for an optional extension hose that gets even the most stubborn bits of debris out of bushes, hedges, window casements and other tough places.

But that's just the beginning. You can use it as a vacuum to clean out your garage, or the inside of your car (with the optional hose attachment). Or to tidy up trash and garbage areas that habitually collect papers, cans, bottles and other refuse. Use it to clear off clippings and debris from sidewalks, driveways, patios and terraces, too. It even shreds leaves for composting, due to its powerful vacuum system. Converted to a blower, this machine can easily and quickly clean up leaves on the largest and hilliest of lawns.



Toro Leaf Blower: This powerful machine sets up a 100-plus mile an hour gust, blows leaves into a big pile quickly. An optional bagging kit and hose extension convert the blower into an efficient vacuum that gets leaves out of hard-to-get-at places.



TORO DISTRIBUTING (Chicago)
731 District Drive
Itasca, Illinois 60143
773-2110