

# Computer Stuff

Dan Dinelli  
North Shore C.C.

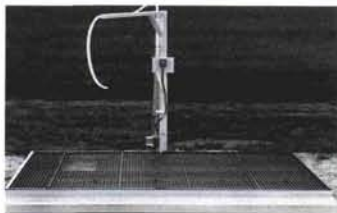
The computer is becoming more and more useful in the turf industry. It has become an information mecca. Many hours can go by as one explores the Internet. The February 1997 issue of *Grounds Maintenance*, page 82, lists many useful Web sites. The May 1996 issue of *Golf Course News*, pages 30 and 31, also has a list, as well as *Golf Course Management*, December 1996.

A fun site for the kids by the National Wildlife Federation is Animal Tracks at <http://www.nwf.org/nwf>. The Biosolids Association has a free bulletin

(continued on page 20)

## THE FOLLOWING ARE SOME SITES I HAVE FOUND USEFUL:

Turfgrass Disease Diagnostic Lab, University of Wisconsin—Madison at <http://www.wisc.edu/plhealthser>  
 GCSAA at <http://www.gcsaa.org/gcsaa>  
 Turfnet at <http://www.turfnet.com>  
 Cornell University, home and garden insects fact sheets at <http://www.cce.cornell.edu>  
 Biological Control Institute, Auburn University at <http://www.ag.auburn.edu/bci/bci.html>  
 USDA Biocontrol of Plant Diseases at <http://www.ars-grin.gov/ars/beltsville/barc/psi/bpdl/bpdl.html>  
 Cornell University Web Biological Control at <http://www.nysaes.cornell.edu/ent/biocontrol>  
 National IPM network at [http://ipm\\_www.ncsv.edu/biocontrol/biocontrol.html](http://ipm_www.ncsv.edu/biocontrol/biocontrol.html)  
 (This website can take you to 100+ different sites.)  
 The USGA's home page is <http://www.usga.org>  
 National Gardening Association e-mail at [nga@together.org](mailto:nga@together.org)  
 National Arborist Association at <http://newwww.com/org/naa>  
 Cornell University at <http://www.cce.cornell.edu>  
 Purdue University at <http://www.purdue.edu>  
 Garden Net at <http://www.olympus.net/gardens/welcome.html>  
 Turf Mangers Information at <http://www.realtime.net>  
 Turf Tech at <http://www.turftech.com>  
 Turfgrass Articles at <http://www.scgt.oz.au>  
 Turfgrass Links at <http://www.uoguelph.ca>



Our units are delivered ready for use after simple connection of utilities.



Computerized pump system keeps fluids within 1/4 inch depth, stainless steel removable screens filter large debris.

**EAGLE CONTAINER CORPORATION**  
 4214 Rome West Rd.  
 Chillicothe, IL 61523  
 Tel. (309) 274-5273  
 Fax (309) 274-4765

## “Rinse, Reclaim, Recycle” An innovative pollution solution

Approved by the  
State of Illinois Dept. of Agriculture



Environmentally correct process to reclaim tainted rinse water. Can be located anywhere

Continuous welded, solid steel construction will not crack like concrete. Each unit is coated with a chemical and UV-resistant paint. With 16 standard sizes available ranging from 8' wide x 8' long to 12' wide x 20' long. We can meet your needs.

Call for your  
state compliance sizing for your equipment

RINSATE PAD

### Computer Stuff

(continued from page 18)

board for those interested in using organic materials as soil amendments. To connect by modem, call 206-685-9985. The Turfgrass Information Center is at <http://www.lib.msu.edu:8000/coll/main/tgif/htm>. Also, the Turfgrass Information File has a GREAT new software that runs in Windows and makes doing searches simple and fun. For information on how to subscribe, call 1-800-446-TGIF.

There are helpful CD-ROMs worth obtaining. The Garden Problem Solver by Sunset is a great source to help golfers with their gardening questions. Most screens have a print mode, enabling one to print and distribute information. For more information, call 1-800-955-4541.

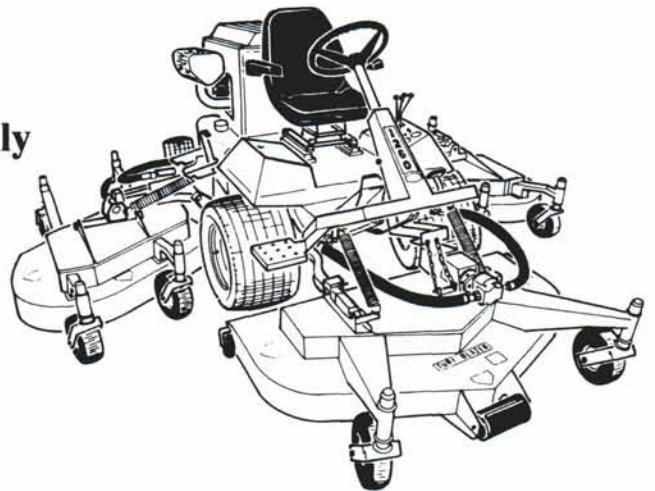
Another CD-ROM well worth having is Turfgrass Diseases Diagnosis and Management by Gail Schumann and James MacDonald. This CD-ROM alone makes getting a CD-ROM drive worthwhile. Turfgrass Diseases Diagnosis and Management is a multi-layered program offering a powerful tool as a reference and teaching aid. The images are excellent with close-up views to help identify diseases with the aid of a hand lens or microscope. It is very user-friendly. It is packed full of useful information on identifying turf species, diseases (both non-infectious and infectious), and controls (both chemical and biological teamed with cultural practices). This one program can replace half the books on my shelf! For more information, call 1-800-328-7560.

There are many search engines to use; <http://www.excite.com> usually does well for science-related topics. Yahoo at <http://www.yahoo.com> or Lycos at <http://www.lycos.com> are two others that are useful. The World Wide Web Virtual Library is a good general database.

It does not take long to build a resource list. Most software programs have a way to "bookmark" addresses for ease of future use. Note that addresses never include blank spaces and must be typed exactly to work correctly. It is recommended you run an anti-virus program if downloading files off the Internet. ■

## "THE PRODUCTION MACHINE"

- ✓ High Capacity
- ✓ High Floatation
- ✓ Economical
- ✓ Cutting Units Operated Individually  
(use 1, 2, or all 3 units)
- ✓ 52 H.P. Diesel
- ✓ 126" Cut
- ✓ 2 or 4 Wheel Drive
- ✓ Up to 5 years lease available.



### CALL:

**BILL MORGAN  
TOM RALPH  
PAYLINE WEST  
225 N. RANDALL RD.  
ST. CHARLES, IL 60174**

**630/584-8700  
FAX 630/584-4453**

