

# A BETTER START ... A BETTER FINISH



- Quality
- Reliability
- Service

Nothing performs like a Brouwer Fairway mower, even in the early morning dew.



Hydraulic Lift



Track Removal Brush



Floating Head

## Some outstanding features:

- Low cost purchase, low cost operation.
- Unique design for successful mowing even in the wet.
- Small tractor low h.p. requirement, less fuel, light weight, less compaction.
- Floating heads that follow the contours.
- P.T.O. driven, excellent maneuverability flexibility and transportability.
- Variable frequency of cut ensures the highest quality of cut.
- Tractor track removal brush available as an option.
- Available in 5 or 7 gang models with a choice of 5,6,7 or 8 bladed reels.

*Other models are available to meet your requirements for mowing the roughs.*

# TurfLand

## TurfLand Professional Equipment Ltd

Red House Farm, Dutton,  
Warrington, Cheshire. WA4 4LL

Telesales: 09286 340/336/272/261

84-47

Visit us on Stand D50-53

## DIY Soil Sterilising

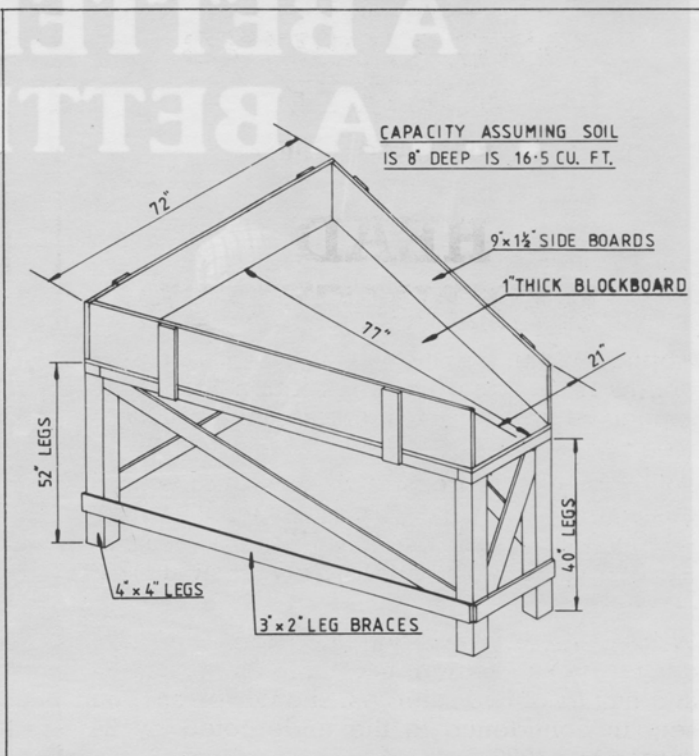
With the purchase of a Royer Shredder, it occurred to me that a properly designed table for use with the shredder would make sterilising soil a much easier operation.

A diagram of this very effective table, complete with measurements, is shown here. The table holds 16.5 cubic feet of soil. The bucket on the front loader holds 13 cubic feet struck or 16 cubic feet heaped.

After a full bucket of soil is placed on the table, I spread 3oz of Basamid over the material before putting it through the shredder. As soon as this mixture has been processed through the shredder, it can then be transported to a suitable storage area, covered with polythene and left for three to four weeks, after which the soil is re-shredded, adding sand as required at the same time. I then test the soil as recommended by the manufacturers.

At all times, care should be taken to follow the instructions on the Basamid container.

**Roy Vernon, Head Greenkeeper, Frinton GC, Essex.**



Below: treated soil is passed through the Royer Shredder.  
 Right (top): loading up the table with soil for treatment.  
 Right (bottom): Roy Vernon, wearing a cap, measures 3oz of Basamid to mix with a full bucketful of soil.



## **CRAIL GOLFING SOCIETY**

(Instituted 1786)

requires a

## **HEAD GREENKEEPER**

Applicants should, desirably, be qualified greenkeepers and well experienced in all aspects of course management, with ability to motivate staff.

Following the retirement of our long serving greenkeeper, we seek to maintain the high standard for which the Balcomie Golf Course has become known. It is attractively situated at Fifeness.

Written applications, with full details of age, qualifications, experience, present position and names of two referees, should, please, be sent in confidence to the undernoted by 24 September 1986.

**Secretary  
Crail Golfing Society  
Balcomie Clubhouse  
Crail  
Fife KY10 3XN**

## **THETFORD GOLF CLUB**

require a

## **HEAD GREENKEEPER**

Applications are invited from suitably qualified persons with experience in all aspects of Golf Course Management, with a proven ability to direct and motivate staff.

Salary by negotiation - no accommodation.

Written applications only, stating age, qualifications and work experience, to:

**The Secretary  
Thetford Golf Club  
Brandon Road  
Thetford  
Norfolk IP24 3ND**

## **HOCKLEY GOLF CLUB**

invite applications for the post of

## **HEAD GREENKEEPER**

Applications are invited from suitably qualified greenkeepers with experience in all aspects of golf course management.

Hockley is a downland course with an excellent reputation for its greens, and regularly hosts County events for Hampshire.

Salary and terms of employment by negotiation.

Applicants should apply in writing with c.v. to:

**The Secretary/Manager,  
Hockley Golf Club,  
Twyford, Winchester,  
SO21 1PL**

## **COTTESMORE GOLF AND COUNTRY CLUB**

require an

## **ASSISTANT GREENKEEPER**

Applicants should be suitably qualified and have a knowledge of machinery.

Cottesmore is a 36-hole Course expanding to 45.

**Apply in writing, with C.V., to:  
The Course Manager,  
Cottesmore Golf And Country Club,  
Horsham Road,  
Pease Pottage,  
Crawley,  
West Sussex RH11 9AT.**





**GREAT PLAY**

**LOUSY CAST**

Everyone is a critic if their play is hampered by wormcasts. And rightly so. Whether it is on a golf green, cricket table, bowling green, golf fairway or other turf area, no-one appreciates their appearance. Nor the uneven surface, weed seeds and smothering of grass which they bring.

But thank goodness for Tornado\* from ICI. Based on carbaryl it gives economical, effective and long-lasting worm control. Because it works by contact and ingestion it gives quick results with good residual activity. The special liquid formulation is easy to mix and simple to apply.

And on application, it leaves no harsh odour – so as soon as the grass is dry, play can continue. Now that's what we call a star performer.

**New Tornado.**



**Professional Products**

ICI Professional Products, Woolmead House East, Woolmead Walk, Farnham, Surrey GU9 7UB. Tel: (0252) 724525.

\* Tornado is a registered trademark of Imperial Chemical Industries PLC.



# TORO®

WINDSOR SHOW  
STANDS F1-10 and F25-31

## does it so much better

### ...ask our competitors...

*if you dare!*

Honesty is the best policy therefore you owe it to yourself to enquire about other equipment. We know that you will quickly make the right decision when you go TORO! All TORO grass management equipment from the smallest domestic rotary to the 'big-boys', TORO are in a class of their own.

Not only are they superbly engineered but they achieve results that are envied by everyone. Isn't it time you found out more about these truly exceptional machines, we're only a phone call away better still why not pop the coupon in the post.

UK DISTRIBUTORS:

**LELY (UK) LTD** STATION ROAD, ST NEOTS, HUNTINGDON,  
CAMBS PE19 1QH Tel (0480) 76971 Telex 32523

**TORO** Please send details as ticked  
Literature  Nearest Dealer  Trial/Demo

Name .....

Address .....

.....

.....

Telephone ..... G/9/86

## **SHREWSBURY GOLF CLUB**

Applications are invited for the post of

### **HEAD GREENKEEPER**

From persons of proven ability with suitable qualifications and experience in all aspects of course maintenance, who have a thorough knowledge of machinery maintenance and also the ability to direct and motivate staff.

Salary negotiable, no accommodation.

**Commencing date 1st February 1987.**

Applicants should apply in writing with full details, by 31st October 1986, to:

**The Secretary, Shrewsbury Golf Club, Condover, Shropshire SY5 7BL.**

## **HEAD GREENKEEPER**

A fully experienced Greenkeeper is required to take charge of the maintenance of a long established 18 hole parkland golf course in the London area. The successful applicant must be self motivated and possess proven course and man management ability at the highest level.

Candidates should be able to demonstrate a sound understanding of the planning of golf course resources and expenditure and a positive and purposeful attitude towards the recruitment and motivation of suitable staff, including their tuition.

A salary appropriate to this challenging and permanent appointment will be negotiated.

Comfortable family accommodation will be provided and consideration may be given to full or part-time employment within the Golf Club for the applicant's spouse.

**Written applications are required, giving full career and salary details to date, to:  
Box No. 1016, Greenkeeper, 121-123 High St, Dovercourt, Harwich, Essex CO12 3AP.**

## **HADLEY WOOD GOLF CLUB**

require a

### **HEAD GREENKEEPER**

An experienced greenkeeper is required to maintain and improve this outstanding 18 hole golf course situated on the outskirts of North London.

The successful applicant should have a sound and practical knowledge of greenkeeping including irrigation systems and the maintenance of machinery.

Salary is by negotiation and short term accommodation is available if required.

Please reply in writing, giving details and experience, to:

**The Captain,  
Hadley Wood Golf Club, Beech Hill,  
Barnet, Herts EN4 0JJ**

## **TANDRIDGE GOLF CLUB**

require an

### **ASSISTANT GREENKEEPER**

Applicants should be suitably qualified in greenkeeping with knowledge of the operation and maintenance of modern equipment.

Salary negotiable. Pension Scheme.  
House provided.

**Apply in writing to:  
The Secretary  
Tandridge Golf Club  
Oxted  
Surrey RH8 9NQ**

# Buyers' Guide

## BARK AND BARK BASED PRODUCTS

**Camland Products Ltd.,**  
36 Regent Street,  
Cambridge. CB2 1DB  
Tel: 0223 68780 Telex: 81254

**Melcourt Industries Limited,**  
Three Cups House,  
5 Church Street,  
Tetbury, Glos. GL8 8JG  
Tel: 0666 52711 or 53919 Telex: 43144

## BRITISH ASSOCIATION GOLF COURSE ARCHITECTS

**Full**  
**J. Hamilton Stutt – Hamilton Stutt & Co.,**  
12 Bingham Avenue, Poole.  
Dorset BW14 8NE  
Tel: 0202 708406

**Donald Harradine,**  
CH 6987. Caslano, Switzerland.  
Tel: 091 711561

**Fred Hawtree,**  
**Martin Hawtree – Hawtree & Son,**  
5 Oxford Street, Woodstock,  
Oxford OX7 1TQ  
Tel: 0993 811976

**Donald Steel – Cotton, Pennink,  
Steel & Partners**  
5 Buckingham Place. London SW1E 6HR  
Tel: 01-630 5252

**Tom McAuley,**  
38 Moira Drive, Bangor, Co. Down,  
N. Ireland BT20 4RW  
Tel: 0247 465953

**Peter Harradine,**  
P.O. Box 1165. SHARJAH,  
United Arab Emirates.  
Tel: 009716 356446

**Provisional**  
**Alistair Rae,**  
26 Tannoch Road, Uplawmoor Road,  
Glasgow G78 4AD  
Tel: 050 585 371

**Cameron Sinclair – Cotton, Pennink,  
Steel & Partners**  
5 Buckingham Place. London SW1E 6HR  
Tel: 01-630 5252

**Simon Gidman – Hawtree & Son,**  
5 Oxford Street, Woodstock,  
Oxford OX7 1TQ  
Tel: 0993 811976

**Overseas (Full)**  
**Eddie Hackett,**  
28 Ailesbury Drive, Dublin 4, Eire  
Tel: Dublin 691592

**Joan Dudok Van Heel,**  
Benkenlaan 4, 1640, St Genesius,  
Rode, Nr Brussels, Belgium  
Tel: 358 5518

**Pier Mancinelli,**  
21 Via Achille Papa 00195  
Rome, Italy  
Tel: 06 36036 35

**Jan Sederholm,** S 252 34 Helsingborg,  
K. Kristoffersg 3A Sweden  
Tel: 042 371 84

**Overseas (Provisional)**  
**Kurt Roßknecht,**  
Dennenmoos 5a, 8990 Lindau-Bad,  
Schachen, Germany  
Tel: 08382 230 05

**R. Berthet,**  
57-59 Rue Lhomond, 75005,  
Paris, France  
Tel: (1) 336 77 50

**Senior Member**  
**Fraser Middleton**  
15 Kilmarnock Crescent, Cupar,  
Fife KY15 4DS, Scotland

**BRITISH ASSOCIATION OF GOLF  
COURSE CONSTRUCTORS**

**Chipman Limited,**  
Horsham, Sussex RH12 2NR  
Tel: 0403 60341

**Eccles Contracting Ltd.,**  
Brickfield Street, Hadfield, Hyde,  
Cheshire SK14 7DZ  
Tel: 04574 63425

**Golf Landscapes Ltd.,**  
Ashwells Road, Bentley, Brentwood,  
Essex CM15 9SR  
Tel: 0277 73720

**Land Unit Construction Ltd.,**  
Folly Farm, Hanslope, Milton Keynes,  
Bucks. MK19 7BX  
Tel: 0908 510414

**Brian D. Pierson (Contractors) Ltd.,**  
27 Vicarage Road, Verwood, Wimbourne,  
Dorset BH12 6DR  
Tel: 0202 822372

**Southern Golf & Landscapes Ltd.,**  
85 West Street, Warwick, Warwickshire  
Tel: 0926 492898

## COMPOST

**Bord na Mona,**  
36 King Street, Bristol BS1 4DP  
Tel: 0272 211666

**FENCING (Timber all types)**  
**Wicksteed Leisure,**  
Digby Street, Kettering, Northamptonshire  
NN16 8YJ  
Tel: Kettering 0536 517028 Telex: 34395

**FERTILISERS**  
**Bentley, Joseph Ltd.,**  
Barrow-on-Humber,  
South Humberside  
Tel: Barrow-on-Humberside 30501

**FERTILISERS AND TOP DRESSING**  
**D.O. Hunt Ltd.,**  
14 Fairfax Road, Heathfield,  
Newton Abbot, Devon TQ12 6UD  
Tel: 0626 834499

**GOLF COURSE ACCESSORIES**  
**Bridges Pennants,**  
68 Southchurch Avenue,  
Southend-on-Sea, Essex SS1 2RR  
Tel: 0702 612344

Contact: Mr. A. Elvin  
**H. Pattison & Co. Ltd.,**  
342 Selbourne Road,  
Luton, Beds LU4 8NU  
Tel: 0582 597262 Telex: 887916

**GOLF COURSE EQUIPMENT**  
**Clan Marketing Co.,**  
Milton House, Loddington,  
Nr. Kettering, NN14 1JZ

**GRASS CUTTING EQUIPMENT**  
**Ransomes Sims & Jefferies PLC,**  
Nacton Works, Nacton Road, Ipswich,  
Suffolk IP3 9QG  
Tel: (0473) 712222 Telex: 98174

Contact: J.F.R. Wilson/R. Bishop  
**Watkins Naylor & Co. Ltd.,**  
Friar Street, Hereford  
Tel: Hereford (0432) 274361

Telex: 35302 W. Naylor or contact  
your dealer

**GRASS SEED**  
**British Seed Houses Ltd.,**  
Bewsey Ind. Est., Pitt Street,  
Warrington, Cheshire.  
Tel: (0925) 54411

Contact: Roger Saunders  
Portview Road, Avonmouth, Bristol  
BS11 9JH  
Tel: (0272) 823691

Contact: Michael Warne  
Camp Road, Swinderby, Lincoln  
Tel: (0522) 86714

Contact: Philip Adams  
**Mommersteeg International,**  
Station Road, Finedon,  
Wellingborough, Northamptonshire  
NN9 5NT  
Tel: (0933) 680674

Contact: Michael Perkins  
**IRRIGATION**  
**CAMERON**

**a division of Wright Rain Limited,**  
Head Office, Harwood Ind. Est.,  
Littlehampton, West Sussex BN17 7BA  
Tel: Littlehampton (0903) 713985

Evesham, Worcs.  
Tel: Evesham (0386) 49348

Ringwood, Hants.  
Tel: Ringwood (04254) 2251

Spalding, Lincs.  
Tel: Spalding (0775) 3764

Norwich, Norfolk  
Tel: Swainsthorpe (0508) 470402

Edinburgh, Scotland  
Tel: (031) 453 4789

Bridgnorth, Shropshire  
Tel: Bridgnorth (07462) 61762

Wetherby, Yorks  
Tel: Boston Spa (0937) 845788

**Watkins Naylor & Co. Ltd.,**  
Friar Street, Hereford  
Tel: Hereford (0432) 274361

Telex: 35302 W. Naylor or contact  
your dealer

**IRRIGATION EQUIPMENT**  
**British Overhead Irrigation Ltd.,**  
The Green, Upper Halliford,  
Shepperton, Middlesex TW17 8RY  
Tel: 09327 88301 Telex: 928767

Contact Sales Department  
**Toro Irrigation Ltd.,**  
Unit 7, Millstream Trading Estate,  
Ringwood, Hampshire BH24 3SD  
Tel: Ringwood (04254) 6261

**Sports Ground Irrigation Co.**  
Hereward Lodge, Paget Road,  
Lubenham, Market Harborough,  
Leics. Tel: (0858) 63153

**Waterment Ltd.,**  
Monument Way, E. Woking,  
Surrey GU21 5LY  
Tel: Woking 70303 Telex: 859224

**LANDSCAPE CONTRACTORS**  
**Gavin Jones Limited,**  
Station Road, Motpur Park,  
New Malden, Surrey KT3 6JH  
Tel: 01-942 0055

**LIME FREE SANDS**  
**Buckland Sand & Silica Co. Ltd.,**  
Reigate Heath, Reigate, Surrey  
Tel: 07372 40151

**LITTER BASKETS**  
**Wire Products (Wales) Ltd.,**  
Treforest Ind. Est.,  
Prontypridd, Glam.  
Tel: Treforest (044 385) 2501

**LOAM**  
**C.H. Binder Ltd.,**  
Embleys Farm, Moreton, Ongar,  
Essex CM5 0HY  
Tel: Moreton 246 & 320

**LIQUID ORGANIC FERTILISER**  
**Farmura Ltd.,**  
Stone Hill, Egerton, Nr Ashford,  
Kent  
Tel: Egerton (023376) 241

**RANSOMES DISTRIBUTORS**  
**Henton & Chattell Ltd.,**  
London Road, Nottingham  
Tel: Nottingham (0602) 862161

Contact: Christopher Bryden  
**Wilcocks,**  
Walker Street, Preston, Lancs.  
Tel: Preston 53068

**PEAT**  
**Bord na Mona,**  
36 King Street, Bristol BS1 4DP  
Tel: 0272 211666

**PEAT IN BULK**  
**Bord na Mona,**  
36 King Street, Bristol BS1 4DP  
Tel: 0272 211666

**SAND**  
**Martin Bros.,**  
1A Clifton Street, Alderley Edge,  
Cheshire SK9 7NN  
Tel: Alderley Edge (0625) 584571

Contact: Nick Gray  
**Wettern Brothers PLC,**  
Rochester Road, Aylesford,  
Maidstone, Kent ME20 7DX  
Tel: 0622 70431

Contact: J.F. Hoan  
**SANDS – HORTICULTURAL AND  
LAWN**

**Buckland Sand & Silica Co. Ltd.,**  
Reigate Heath, Reigate, Surrey  
Tel: 07372 40151

**SCREENED TOP SOIL**  
**C.H. Binder Ltd.,**  
Embleys Farm, Moreton, Ongar,  
Essex CM5 0HY  
Tel: Moreton 246 & 320

**SEATS**  
**Barlow Tyrie Ltd.,**  
Springwood Ind. Est., Rayne Road,  
Braintree, Essex CM7 7RN  
Tel: Braintree (0376) 22505 Telex: 98173

(Brochure available)  
**Wicksteed Leisure,**  
Digby Street, Kettering,  
Northamptonshire NN16 8YJ  
Tel: Kettering (0536) 517028 Telex: 34395

**SEATS PLAQUES**  
**Wicksteed Leisure,**  
Digby Street, Kettering,  
Northamptonshire NN16 8YJ  
Tel: Kettering (0536) 517028 Telex: 34395

**SEAWEED FERTILISERS**  
**Seamac,**  
Foundry Lane, Chippenham, Wilts.  
Tel: (0249) 652811

**SEMI MATURE TREES**  
**Eastcote Nurseries (Solihull) Ltd.,**  
Wood Lane, Barston, Solihull,  
West Midlands B92 0JL  
Tel: 06755 2033/4

Contact: Stephen or Michael Fisher  
**SEMI MATURE TREE PLANTING  
(EQUIPMENT FOR HIRE)**

**Eastcote Nurseries (Solihull) Ltd.,**  
Wood Lane, Barston, Solihull,  
West Midlands B92 0JL  
Tel: 06755 2033/4

Contact: Stephen or Michael Fisher  
**SOIL CONDITIONERS**  
**Soilife: Liquid Enzymes,**  
Romit Marketing for your local supplier  
North Wyke Farm, Guildford Road,  
Normandy, Surrey GU3 2AN  
Tel: Guildford (0483) 811933

**TEE MATS**  
**Carpetition Ltd.,**  
6 Kaffir Road, Edgerton,  
Huddersfield HD2 2AN  
Tel: 0484 28777

("Tuftturf" – Synthetic Grass Backed  
Rubber – Porous)

**Charles Lawrence UK Ltd.,**  
153A Farndon Road, Newark,  
Notts. NG24 4SP  
Tel: 0636 76218 Telex: 37668

(Synthetic Grass Backed with Rubber)

**TREE GUARDS**  
**Lenvale Products Ltd.,**  
Chart Mill, Chart Sutton, Maidstone  
Tel: (0622) 890909

**TREE TIES**  
**J. Toms Ltd.,**  
Wheeler Street, Headcorn, Ashford,  
Kent TN27 9SH  
Tel: Maidstone 891111

**TREES & SHRUBS**  
**Eastcote Nurseries (Solihull) Ltd.,**  
Wood Lane, Barston, Solihull,  
West Midlands B92 0JL  
Tel: 06755 2033/4

Contact: Stephen or Michael Fisher  
**Notcutts Nurseries Ltd.,**  
Woodbridge, Suffolk IP12 4AF  
Tel: 03943 3344

(Incorporating Waterers Nurseries,  
Bagshot, Surrey)

**TOP SOIL**  
**C.H. Binder Ltd.,**  
Embleys Farm, Moreton, Ongar,  
Essex CM5 0HY  
Tel: Moreton 246 & 320

**TRENCHERS**  
**L.D. Bourgein Oxford Ltd.,**  
South Hinksey, Oxford OX1 5AZ  
Tel: (0865) 735420 Telex: 83147

Att. Trenchers, Sales, Service, Hire  
**TRENCHING MACHINES**  
**A.F. Trenchers Ltd.,**  
Gosbecks Road, Colchester, Essex  
CO2 9JL  
Tel: 0206 44411

Contact: W.D. Baker  
**TURF (SPECIALITY)**  
**Rolawn (Turf Growers) Ltd.,**  
Elvington, Yorks YO4 5AR  
Tel: (0904) 85661 Telex: 57796

Rowlawn G  
Fine Purpose grown sports & amenity turf

**VERTI-DRAIN HIRE**  
**Aeration & Drainage Services,**  
10 Oxendeau Gardens, Lower Willington,  
Eastbourne, East Sussex

**Brian D. Pierson (Contractors) Ltd.,**  
27 Vicarage Road, Verwood,  
Dorset BH21 6DR  
Tel: 0202 822372

**SCC Lands Maintenance Ltd.,**  
12 Foxburrow Close, Haverhill, Suffolk  
Tel: 0440 62369

**Worth Draining,**  
Cornbecks, Inrham, Grantham,  
Lincs. NG33 4JQ  
Tel: 0476 84266

**Scotland**  
**Sports Turf Services,**  
Newbridge Industrial Estate, Newbridge,  
Midlothian EH28 8LE  
Tel: 031 333 2345

## SECOND-HAND MOWERS

*SPECIALISTS IN RANSOME  
MOTOR TRIPLES*

## SHAFTESBURY PLANT

Shaftesbury, Briar Road,  
Great Bromley, Colchester,  
Essex. CO7 7XD

**TEL.: (0206) 230442**