

R

and

K

* The letters that represent
the highest ever standards
of mower selection and
service

(No wonder — the showrooms are packed with top-name machinery.)

RELF AND KENDALL

406 BRIGHTON ROAD, SOUTH CROYDON, SURREY CR0 0578

11 STATION ROAD, NEW BARNET. BARNET 8228



THE BRITISH GOLF

GREENKEEPER

HON. EDITOR: F. W. HAWTREE



FOUNDED 1912

PUBLISHED MONTHLY FOR THE
BENEFIT OF GREENKEEPERS,
GREENKEEPING AND THE GAME
OF GOLF BY THE BRITISH GOLF
GREENKEEPERS ASSOCIATION

President:

CARL BRETHERTON

Vice-Presidents:

SIR WILLIAM CARR

R. B. DAWSON, O.B.E. M.S.C.,

F.L.S.

GORDON WRIGHT

F W HAWTREE

S. NORGATE

I. G. NICHOLLS

F V SOUTHGATE

P. HAZELL

W. KINSEY

R. C. AINSWORTH

Chairman:

J SIMPSON

Ponteland G.C.

98 Hedley Street

Gosforth, Newcastle on Tyne, 3

Vice-Chairman:

F CASHMORE

Hon. Secretary & Treasurer:

C. H. DIX

Addington Court G.C.

Featherbed Lane

Addington, Croydon, Surrey

Executive Committee:

Carl Bretherton (President),

G. Herrington, J G. Bryan

E. H. Benbow S. T. McNeice,

J Parker J Simpson,

A. A. Cockfield, H. M. Walsh,

E. W. Folkes, D. G. Lord

Hon. Auditors:

Messrs. SMALLFIELD RAWLINS AND

Co., Candlewick House, 116/126

Cannon Street, London, E.C.4

Hon. Solicitor:

R. A. BECK

21 Lime Street, London, E.C.3

The Association is affiliated to the
English and Welsh Golf Unions.

No. 252 New Series

MARCH 1966

WHAT LUCK

Perfect timing it seems to me

When you're getting anxious to score

some,

Is arriving at that initial tee,

Ahead of a female foursome

—STEPHEN SCHLITZER.

MARCH

CONTENTS

Page	3	TEE SHOTS
	4	EDITOR WRITES
	6	VISTAVISION OF THE FUTURE
	10	SPECIAL OCCASIONS
	12	SITUATIONS VACANT
	13	SECTION NOTES
	16	HON. SECRETARY'S NOTES
	18	S.G.G.A. NEWS
	20	MRS GREENKEEPER

EDITORIAL AND ADVERTISEMENT OFFICES: Addington Court Golf Club, Featherbed Lane, Addington, Croydon, Surrey. Telephone: SANDerstead 0281. SUBSCRIPTION RATE: 14/ for 12 issues post paid. Published during the first week of each month. LATEST COPY DATE: 8th of month prior to insertion. All rights reserved. Reproduction of original articles and photographs in whole or in part is prohibited. This Magazine shall not, without the written consent of the Publishers first given, be re-sold, lent, hired out, or otherwise disposed of. *Contributions and photographs of interest are invited.*

TO INSERT A CLASSIFIED ADVERTISEMENT, write to the Advertisement Manager at the above address. The rate is 6d. per word (minimum 15 words). Box Number, 1/6 extra. Remittance must be sent with order. Please state number of insertions required and write advertisement in block letters. Advertisements will be inserted in the first available issue.

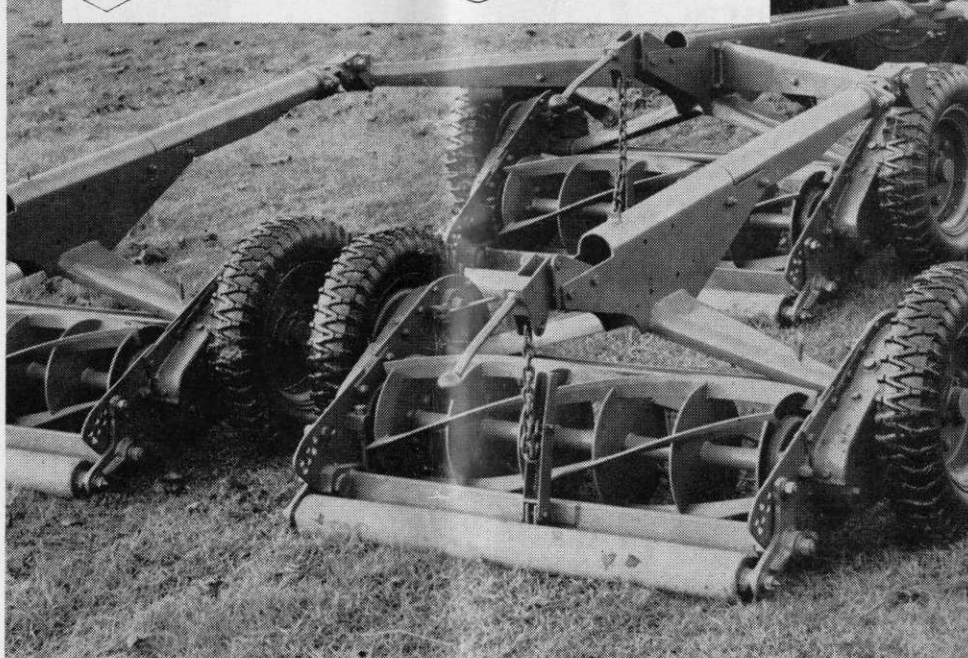
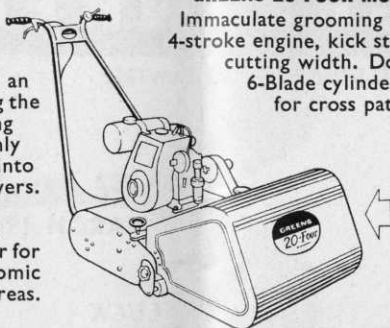
**GREENS
RANGER Mk 3
GANG
MOWERS**

Up to 11½ acres an hour! - Hugging the ground, cropping closely and evenly
Can be ganged into 3,5 or 7-unit mowers.
Greens Ranger Mowers are the complete answer for quick and economic cutting of large areas.



GREENS 20 FOUR MOTOR MOWERS

Immaculate grooming for big lawns. 4-stroke engine, kick starter, 20 inch cutting width. Dog clutch puts 6-Blade cylinder out of drive for cross paths. Drop out cutting unit.



A SHORT CUT TO PERFECTION



HAWKER SIDDELEY

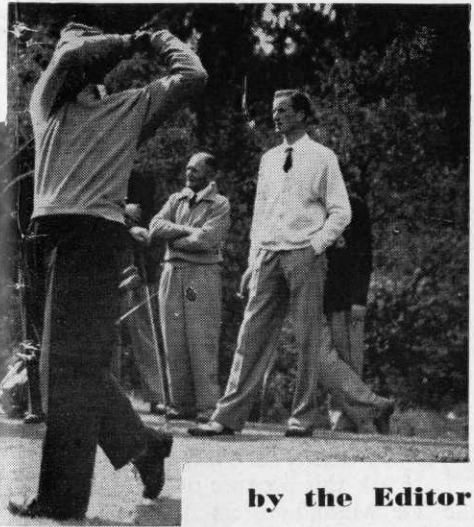
GREENS MOWERS

THOMAS GREEN & SON LTD., NORTH STREET, LEEDS 2

Telephone: Leeds 20357

Hawker Siddeley Group supplies mechanical, electrical and aerospace capital equipment with world-wide sales and service.

TEE SHOTS



by the Editor

New courses continue to attract the attention of the Irish Tourist Board. Schemes on the West Coast and near Dublin are in the planning stages. The site on the West Coast has all the makings of a tourist attraction with sea and mountain views and championship length.

* * *

The East Kilbride Golf Club, which recently had its application to remain on its present site turned down, is now actively engaged in purchasing a new one. There is even talk of a municipal course in this growing New Town and the Burgh Council consider that there will be demand for three eighteens when the 100,000 population is reached.

* * *

The Marston Green municipal course in Birmingham, which has been suffering for some time from work on the Elmdon Airport extension, can now look forward to a new site on which work seems likely to start this spring. The new course is on the opposite side of the Airport and will be rather more accessible.

* * *

The Lullingstone Park Golf Course is now rapidly taking shape under its Head Greenkeeper, Paul French. He is looking forward to opening in the early summer and with the second nine holes under construction at the same time, will have his hands full for the next year or so.

KNOT FOR SALE

An invitation to the

smarter greenkeeper

DO you wear your Association tie?

I ask this because on 4th February the Tie Manufacturers Association announced the Top Ten tie men and I was disappointed to find no greenkeeper amongst them. Something is obviously wrong.

The Duke of Windsor got an honourable mention for having invented the Windsor knot. But I worked this one out for myself years ago. Weary of standing knee-deep in discarded neckties searching for one not irretrievably crushed by the pre-Windsor or Hanoverian knot, I found that the double circuit of the thin or static end by the rotating or broad one distinctly prolonged the life of all tie-types. But I never put my name up to the selection committee. I assumed that they would be more interested in tie-consumption than tie-conservation. Something is wrong here too.

In fact, the whole business seems upside down. The inclusion of Mr Heath in the list made me suspect that plain, sober neckwear might provide a short-cut to the top. But the Chairman of the Tie Manufacturers' Association added the

comment "There's nothing Conservative about Mr Heath's choice of tie. He gives the same flair to them as he does to his music. I have not had the pleasure of hearing Mr Heath play the organ or conduct a choir, but "flair" is generally defined as "instinctive discernment" and everyone reckons he has this when he reaches for the day's appropriate tie.

The principles underlying a good selection remain obscure. A meeting of the Greenkeepers' Association presents no problem. The Association tie requires no flair and puts its own seal on the occasion. Beyond that we can only deal in terms like harmony and contrast which leave the field wide open to personal interpretation.

Tomorrow morning perhaps you will analyse your emotions as you make your choice and let us know what happens. Is there one at the end of the line which somebody gave you for Christmas and which has never been touched? What is wrong with it? Perhaps the plain green background with the red, white and yellow stripes is safest after all. (Obtainable from the Hon. Secretary at 10s. 6d. a time. —Adv't.)

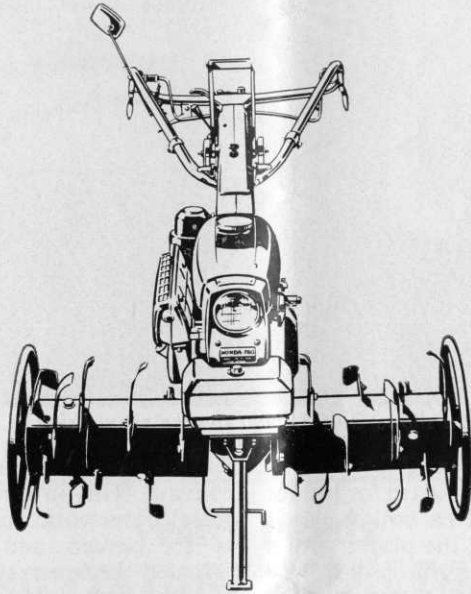
Spreading the Load

Chesterfield Council have passed a rule that a person may play only one round on a Saturday so that more players can get a game.

Footing the Bill

Brentwood U.D.C.'s first nine holes (municipal) cost £14,500. They estimate annual running cost, greenkeeper, pro., ground staff, upkeep and loan charges at £7,300.

NEW POWERFUL PARTNERSHIP



HONDA

AND

RELF AND KENDALL

406 BRIGHTON ROAD, SOUTH CROYDON, SURREY CRO 0578

11 STATION ROAD, NEW BARNET BARNET 8228



AGENTS FOR HONDA TRACTORS AND CULTIVATORS

VISTAVISION OF THE FUTURE

“HEAD GREENKEEPER REQUIRED for 18 hole course 1 1/2th acre. Must be fully experienced in the maintenance of Wilton Carpet and expert with a vacuum cleaner Some knowledge of electronics an advantage”

- This could be the type of advertisement that the manufacturers of “Vistagolf” Indoor Golf Equipment and their sole agents, Messrs T Parker & Sons (Turf Management) Ltd., would like to see frequently in this Journal during the next few months.



Photograph shows Golfer about to take second shot to green.

THE equipment designed by “Vistagolf” sets a new standard for Indoor Golf. Simulation of actual course play is achieved by presenting the player with a series of automatically projected fairway views (approx. 8 ft. square) starting at the “tee” and progressing through the player’s drive, woods and irons to the green and final putt.

Each fairway view presented indicates Hole No./Par for Hole/Yards to Green/Yards from Tee—automatically adjusted in relation to the distance the player’s ball has travelled.

Out of Bounds, Hooked and Sliced shots are indicated and consequently penalized.

Covering an approximate floor area of 12 ft. by 18 ft. the equipment consists of a green Wilton carpet completely covering the above area into which at the tee off and play position is embedded two nylon brush surfaces giving a fairway tee lie and a rough lie in sections.

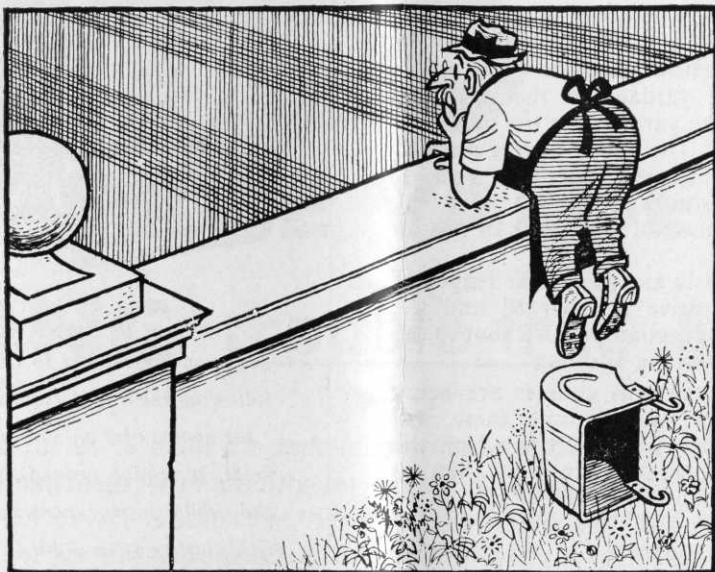
Facing down the fairway 15 ft. from the play position a projected full coloured 8 ft. square view of the hole in play is presented to the participant.

This target area is enclosed by duck canvas. This in turn is supported by a metal framework, suspended from which is the screen and ball return area. Situated between the screen and play position is the putting green containing the putting cup.

Again on the putting area from any one of three marked positions, the participant is directed to putt out. Attached to the metal framework are lighted legends depicting any penalty incurred by the shot played, i.e., a blue-lighted panel indicates a sliced or pushed shot instructing a rough lie for the following shot, a green panel indicating hooked or pulled shots incurring a similar penalty and finally a red panel for out of bounds.

Independently supported and working in conjunction with the legend panel are the drum type projectors situated behind the player. Housed within the equipment and easily accessible is the patented “Vistagolf” computer unit, harnessed-wired to the screen and projector and also sensitising the play area and legend panels within the same circuit. The principle on which the computer operates

**When the grass
on the other side
looks greener**



**yours needs
SPORTSTURF VELVETONE!**

I.T.P. Sportsturf Velvetone is the organic lawn conditioner proved in action on the royal lawns at Ascot and the grass courts at Wimbledon.

For less than £15 an acre, the autumn/winter formula of Sportsturf Velvetone will condition your fine turf areas beautifully. Forty per cent organic, it contains trace elements and carefully balanced lawn foods exactly suited to the finer grasses.

It assists root action all winter long but doesn't encourage vigorous top growth until spring. (If you're a greenkeeper who hasn't the time or labour to apply turf dressing during the playing season, you'll find Sportsturf Velvetone extremely useful.)

For less-fine turf—I.T.P. Winter Outfield Fertilizer Seventy-four per cent organic, this high-grade fertilizer costs less than £10 an acre. It's excellent for cricket outfields, golf fairways, football grounds and other large sports areas. Good for construction of new grass surfaces too. (Also available with selective weedkiller.)

Order now from your local merchant or Fisons representative.



VELVETONE

is to measure the speed of the ball from the play position to the screen, therefore the shorter time a ball takes to travel from the play position to the screen the farther it will have travelled in actual course play. Having timed the speed of the shot the computer then transfers this information to the projector. The projectors then move up the fairway with a series of pictures, finally coming to rest at the position the ball would have finished.

The picture now presented to the player indicates the yardage of the shot just played and the yardage for the next shot to the green. The player having reached the green is instructed to putt from one of the three positions dependent upon the accuracy of his final chip, pitch or run up to the pin.

As previously mentioned the length of the player's drive is recorded and the yardage of the second or third shot to the green as may be, in addition.

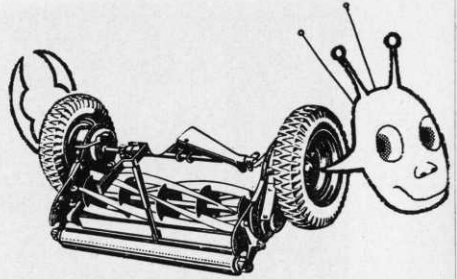
At present various courses are being photographed and in time these will comprise a film library from which the "Vistagolf" operator can draw film to replace the one at present in use in his existing projectors. The courses already photographed include the old course at Walton Heath.

The manufacturers of the electronic apparatus instal their equipment with a three years guarantee. The Managing Director of this Company states that this is possible due to exhaustive testing and the reliable components used throughout. However, following the three year guarantee period a small service charge is made which includes two free filmed course changes per annum.

This equipment, tried and tested by British Ryder Cup Golf Professionals whose assistance was invaluable and comments noted, has brought about a golf game that not only simulates all types of shots played on the course but is authentic with its accuracy. Two and four-ball matches can be played as on a course with each player playing out from the tee to the green and noting his putting position and the hole is then completed with all four putting out together.

A further advantage of "Vistagolf" is its adaptability to fit into all types of buildings, rooms, bars and lounges and its pre-fabricated construction facilitates

THE CUTTERPILLAR



Has an attachment to tractors, following them tirelessly in groups (or gangs) of 2 or 3 on playing fields, recreation grounds, fairways and similar large expanses of grass. Highly active from April to October, the Cutterpillar is thought by some groundsmen to have self-restorative powers during hibernation, but this is not so. To ensure a successful spring re-appearance careful nurturing is called for during the winter months and this is best left to experts.

Keep you grass cutting machinery in peak condition with regular Gibbs servicing. Hand, motor or gang mowers re grind, emergency repair or complete overhaul. Gibbs specialist engineers are equipped to handle them all quickly expertly

Get on to GIBBS

FOR MOWER SERVICING

J. GIBBS LTD. Bedford, Middlesex. Feltham 5071

Specialized Distributors and Authorised Repair

Agents for **Ransomes** Lawn Mowers



By appointment
to Her Majesty
Queen Elizabeth II
Suppliers of
Agricultural Machinery
and implements,
and Motor vehicles



Two well-used phrases sum up

ATCO Mowers:

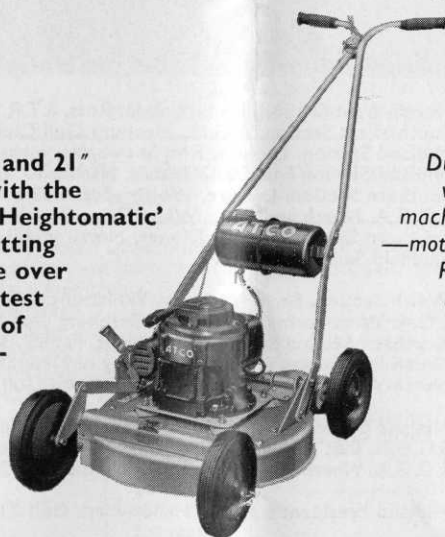
TRUE VALUE

LONG trouble-free LIFE

No need for us to extol the individual virtues of our mowers ATCO has been synonymous with quality for over forty years All this experience and all our advice is yours for the asking Our wide range of grass-cutting equipment for every purpose is matched only by ATCO's unique nationwide servicing arrangements

May we suggest a demonstration on your own turf?

The solidly built 18" and 21" Rotaries are fitted with the outstanding ATCO 'Heightomatic' height control permitting instantaneous change over from longest to shortest cut on a wide range of surfaces not demanding a high finish. Prices from £32.



During the next few months, we shall show all our large machines in our advertisements —motor mowers from 20" to 34", Rotaries and Gang Mowers. If you can't wait that long we will gladly supply full details on request.

removal from one site to another conveniently. The manufacturers also supply as an extra a pre-fabricated cedar wood building, modern in style and attractively finished.

Finally, as an optional extra, a coin rejector box may be fitted controlling the equipment. Therefore no supervision is necessary and "Vistagolf" may be used by the public in the same manner that they would use a snooker room, i.e., a 2s. 6d. coin giving a set time for play allowed by the operator making it completely automatic.

Sole Agents for Golf Clubs, Sports Clubs, etc:—

T Parker & Sons (Turf Management) Ltd.,

Worcester Park, Surrey
DERwent 7791

Contact G P Simpson, Sales Manager

Export and other enquiries:—

Four Square Enterprises Ltd.,
4 Crosby Square, London, E.C.3.
LONDON WALL 4872.

Contact M. A. Thompson, Sales Director



EDINBURGH

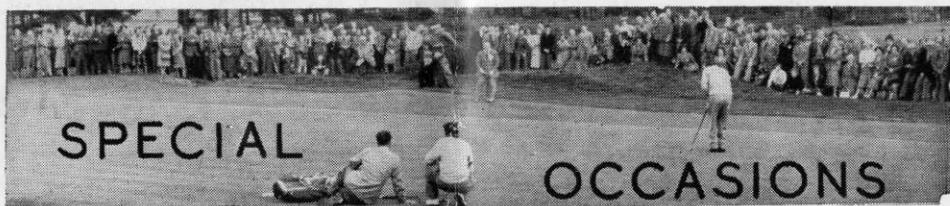
**FIBREGLASS FLAGSTAFFS
GRASS COMBS
GOLF FLAGS
AND SWITCHES**

NEW TURF SWITCH 'St Andrew'

*Metal Shaft, Fibre Glass Tip,
Length Adjustable*

£4 15s. each

**STEWART & CO.,
SEEDSMEN LTD.
EDINBURGH, 2**



MARCH	1st	North-West Section, Lecture, J. D. Ross, S.T.R.I., Bingley
	9th	South-West Section, A.G.M., Henbury Golf Club, 7.30 p.m.
	15th	Midland Section, Lecture, Film Show, Warwickshire County Ground.
	16th	Midland Section Four Ball Alliance, Harborne Golf Club.
	16th	Southern Section, Lecture, Whitbreads, 6.30 p.m.
	19th	S.G.G.A. North and Mid. Whist Drive Social.
MARCH	25th	Southern Section, Annual Dinner, North Middlesex Golf Club.
	31st	Sheffield Section Lecture.
APRIL	13th	Welsh Section, Spring Meeting, Whitchurch Golf Club.
	21st	S.G.A. West Spring Meeting, St Cuthbert Golf Club.
	26th	Northern Section Spring Tournament, Pannal Golf Club.
	28th	North-East Spring Competition, City of Newcastle Golf Club.
	28th	North-West Spring Tournament, Wallasey Golf Club.
MAY	5th	Midland Section Spring Tournament, Kidderminster Golf Club.
	12th	S.G.G.A. East Annual Competition, Royal Burgess Golf Club.
	26th	S.G.G.A. North and Mid Annual Tournament, Deeside Golf Club.
JUNE	28th	Midland President's Match, Handsworth Golf Club.
AUGUST	8th	Annual Tournament, Little Aston Golf Club.
	9th	
	10th	