

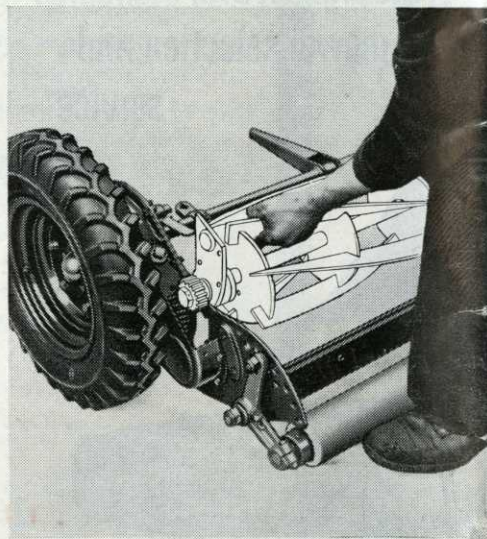
MARCH
1966 1/-

The British Golf

Greenkeeper



U.S.G.A. GREEN SECTION	
FERGUSON	
CHEESMAN	
S...	



Easily removable
cutting cylinders
on Ransomes
Gang Mowers
save service time
—add cutting time



Ask your Ransomes Area Sales
and Service Distributor for
a demonstration or write



RANSOMES

RANSOMES SIMS & JEFFERIES LTD • IPSWICH • Phone IPSWICH 54711 Telex 18176

R

and

K

* The letters that represent
the highest ever standards
of mower selection and
service

(No wonder — the showrooms are packed with top-name machinery.)

RELF AND KENDALL

406 BRIGHTON ROAD, SOUTH CROYDON, SURREY CR0 0578

11 STATION ROAD, NEW BARNET. BARNET 8228



THE BRITISH GOLF

GREENKEEPER

HON. EDITOR: F. W. HAWTREE



FOUNDED 1912

PUBLISHED MONTHLY FOR THE
BENEFIT OF GREENKEEPERS,
GREENKEEPING AND THE GAME
OF GOLF BY THE BRITISH GOLF
GREENKEEPERS ASSOCIATION

President:

CARL BRETHERTON

Vice-Presidents:

SIR WILLIAM CARR

R. B. DAWSON, O.B.E. M.S.C.,

F.L.S.

GORDON WRIGHT

F W HAWTREE

S. NORGATE

I. G. NICHOLLS

F V SOUTHGATE

P. HAZELL

W. KINSEY

R. C. AINSWORTH

Chairman:

J SIMPSON

Ponteland G.C.

98 Hedley Street

Gosforth, Newcastle on Tyne, 3

Vice-Chairman:

F CASHMORE

Hon. Secretary & Treasurer:

C. H. DIX

Addington Court G.C.

Featherbed Lane

Addington, Croydon, Surrey

Executive Committee:

Carl Bretherton (President),

G. Herrington, J G. Bryan

E. H. Benbow S. T. McNeice,

J Parker J Simpson,

A. A. Cockfield, H. M. Walsh,

E. W. Folkes, D. G. Lord

Hon. Auditors:

Messrs. SMALLFIELD RAWLINS AND

Co., Candlewick House, 116/126

Cannon Street, London, E.C.4

Hon. Solicitor:

R. A. BECK

21 Lime Street, London, E.C.3

The Association is affiliated to the
English and Welsh Golf Unions.

No. 252 New Series

MARCH 1966

WHAT LUCK

Perfect timing it seems to me

When you're getting anxious to score

some,

Is arriving at that initial tee,

Ahead of a female foursome

—STEPHEN SCHLITZER.

MARCH

CONTENTS

Page	3	TEE SHOTS
	4	EDITOR WRITES
	6	VISTAVISION OF THE FUTURE
	10	SPECIAL OCCASIONS
	12	SITUATIONS VACANT
	13	SECTION NOTES
	16	HON. SECRETARY'S NOTES
	18	S.G.G.A. NEWS
	20	MRS GREENKEEPER

EDITORIAL AND ADVERTISEMENT OFFICES: Addington Court Golf Club, Featherbed Lane, Addington, Croydon, Surrey. Telephone: SANDerstead 0281. SUBSCRIPTION RATE: 14/ for 12 issues post paid. Published during the first week of each month. LATEST COPY DATE: 8th of month prior to insertion. All rights reserved. Reproduction of original articles and photographs in whole or in part is prohibited. This Magazine shall not, without the written consent of the Publishers first given, be re-sold, lent, hired out, or otherwise disposed of. *Contributions and photographs of interest are invited.*

TO INSERT A CLASSIFIED ADVERTISEMENT, write to the Advertisement Manager at the above address. The rate is 6d. per word (minimum 15 words). Box Number, 1/6 extra. Remittance must be sent with order. Please state number of insertions required and write advertisement in block letters. Advertisements will be inserted in the first available issue.

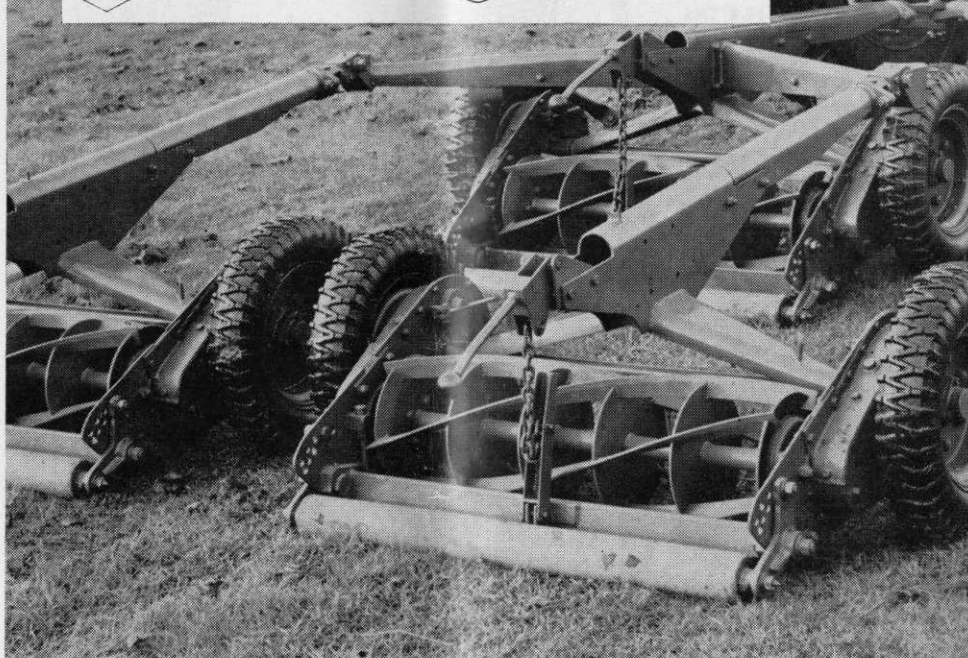
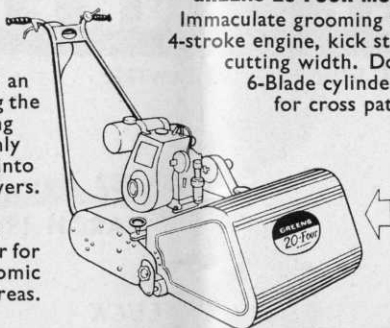
**GREENS
RANGER Mk 3
GANG
MOWERS**

Up to 11½ acres an hour! - Hugging the ground, cropping closely and evenly
Can be ganged into 3,5 or 7-unit mowers.
Greens Ranger Mowers are the complete answer for quick and economic cutting of large areas.



GREENS 20 FOUR MOTOR MOWERS

Immaculate grooming for big lawns. 4-stroke engine, kick starter, 20 inch cutting width. Dog clutch puts 6-Blade cylinder out of drive for cross paths. Drop out cutting unit.



A SHORT CUT TO PERFECTION



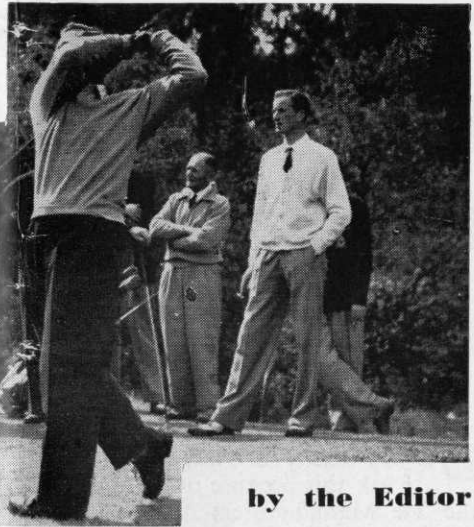
HAWKER SIDDELEY

GREENS MOWERS

THOMAS GREEN & SON LTD., NORTH STREET, LEEDS 2 Telephone: Leeds 20357

Hawker Siddeley Group supplies mechanical, electrical and aerospace capital equipment with world-wide sales and service.

TEE SHOTS



by the Editor

New courses continue to attract the attention of the Irish Tourist Board. Schemes on the West Coast and near Dublin are in the planning stages. The site on the West Coast has all the makings of a tourist attraction with sea and mountain views and championship length.

* * *

The East Kilbride Golf Club, which recently had its application to remain on its present site turned down, is now actively engaged in purchasing a new one. There is even talk of a municipal course in this growing New Town and the Burgh Council consider that there will be demand for three eighteens when the 100,000 population is reached.

* * *

The Marston Green municipal course in Birmingham, which has been suffering for some time from work on the Elmdon Airport extension, can now look forward to a new site on which work seems likely to start this spring. The new course is on the opposite side of the Airport and will be rather more accessible.

* * *

The Lullingstone Park Golf Course is now rapidly taking shape under its Head Greenkeeper, Paul French. He is looking forward to opening in the early summer and with the second nine holes under construction at the same time, will have his hands full for the next year or so.

KNOT FOR SALE

An invitation to the

smarter greenkeeper

DO you wear your Association tie?

I ask this because on 4th February the Tie Manufacturers Association announced the Top Ten tie men and I was disappointed to find no greenkeeper amongst them. Something is obviously wrong.

The Duke of Windsor got an honourable mention for having invented the Windsor knot. But I worked this one out for myself years ago. Weary of standing knee-deep in discarded neckties searching for one not irretrievably crushed by the pre-Windsor or Hanoverian knot, I found that the double circuit of the thin or static end by the rotating or broad one distinctly prolonged the life of all tie-types. But I never put my name up to the selection committee. I assumed that they would be more interested in tie-consumption than tie-conservation. Something is wrong here too.

In fact, the whole business seems upside down. The inclusion of Mr Heath in the list made me suspect that plain, sober neckwear might provide a short-cut to the top. But the Chairman of the Tie Manufacturers' Association added the

comment "There's nothing Conservative about Mr Heath's choice of tie. He gives the same flair to them as he does to his music. I have not had the pleasure of hearing Mr Heath play the organ or conduct a choir, but "flair" is generally defined as "instinctive discernment" and everyone reckons he has this when he reaches for the day's appropriate tie.

The principles underlying a good selection remain obscure. A meeting of the Greenkeepers' Association presents no problem. The Association tie requires no flair and puts its own seal on the occasion. Beyond that we can only deal in terms like harmony and contrast which leave the field wide open to personal interpretation.

Tomorrow morning perhaps you will analyse your emotions as you make your choice and let us know what happens. Is there one at the end of the line which somebody gave you for Christmas and which has never been touched? What is wrong with it? Perhaps the plain green background with the red, white and yellow stripes is safest after all. (Obtainable from the Hon. Secretary at 10s. 6d. a time. —Adv't.)

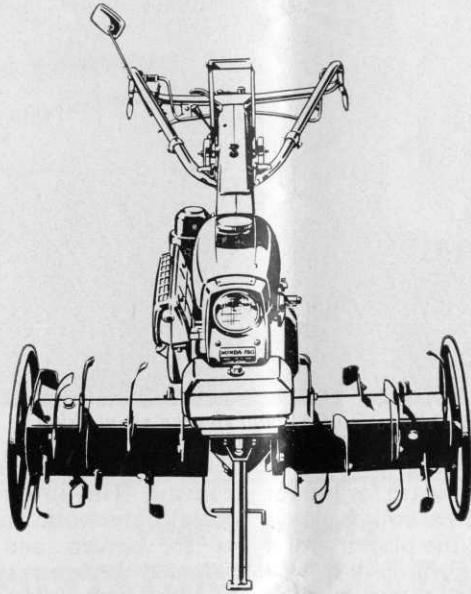
Spreading the Load

Chesterfield Council have passed a rule that a person may play only one round on a Saturday so that more players can get a game.

Footing the Bill

Brentwood U.D.C.'s first nine holes (municipal) cost £14,500. They estimate annual running cost, greenkeeper, pro., ground staff, upkeep and loan charges at £7,300.

NEW POWERFUL PARTNERSHIP



HONDA

AND

RELF AND KENDALL

406 BRIGHTON ROAD, SOUTH CROYDON, SURREY CRO 0578

11 STATION ROAD, NEW BARNET BARNET 8228



AGENTS FOR HONDA TRACTORS AND CULTIVATORS

VISTAVISION OF THE FUTURE

"HEAD GREENKEEPER REQUIRED for 18 hole course 1 1/2th acre. Must be fully experienced in the maintenance of Wilton Carpet and expert with a vacuum cleaner Some knowledge of electronics an advantage"

" This could be the type of advertisement that the manufacturers of "Vistagolf" Indoor Golf Equipment and their sole agents, Messrs T Parker & Sons (Turf Management) Ltd., would like to see frequently in this Journal during the next few months.



Photograph shows Golfer about to take second shot to green.

THE equipment designed by "Vistagolf" sets a new standard for Indoor Golf. Simulation of actual course play is achieved by presenting the player with a series of automatically projected fairway views (approx. 8 ft. square) starting at the "tee" and progressing through the player's drive, woods and irons to the green and final putt.

Each fairway view presented indicates Hole No./Par for Hole/Yards to Green/Yards from Tee—automatically adjusted in relation to the distance the player's ball has travelled.

Out of Bounds, Hooked and Sliced shots are indicated and consequently penalized.

Covering an approximate floor area of 12 ft. by 18 ft. the equipment consists of a green Wilton carpet completely covering the above area into which at the tee off and play position is embedded two nylon brush surfaces giving a fairway tee lie and a rough lie in sections.

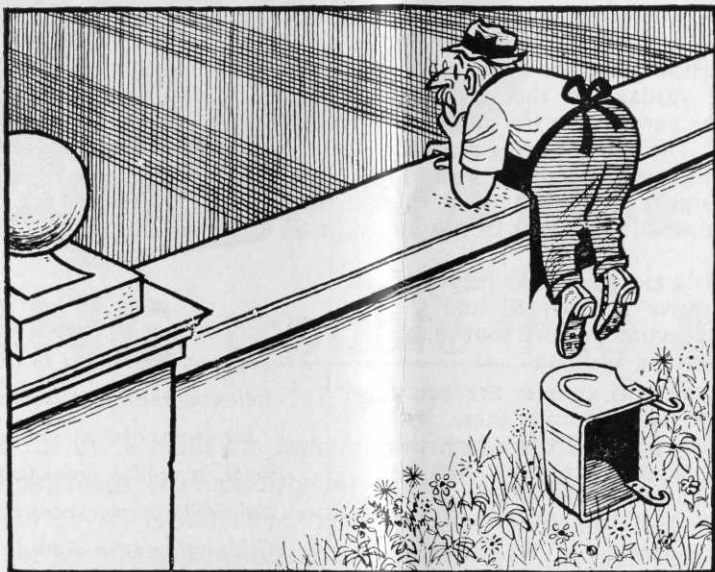
Facing down the fairway 15 ft. from the play position a projected full coloured 8 ft. square view of the hole in play is presented to the participant.

This target area is enclosed by duck canvas. This in turn is supported by a metal framework, suspended from which is the screen and ball return area. Situated between the screen and play position is the putting green containing the putting cup.

Again on the putting area from any one of three marked positions, the participant is directed to putt out. Attached to the metal framework are lighted legends depicting any penalty incurred by the shot played, i.e., a blue-lighted panel indicates a sliced or pushed shot instructing a rough lie for the following shot, a green panel indicating hooked or pulled shots incurring a similar penalty and finally a red panel for out of bounds.

Independently supported and working in conjunction with the legend panel are the drum type projectors situated behind the player. Housed within the equipment and easily accessible is the patented "Vistagolf" computer unit, harnessed-wired to the screen and projector and also sensitising the play area and legend panels within the same circuit. The principle on which the computer operates

**When the grass
on the other side
looks greener**



**yours needs
SPORTSTURF VELVETONE!**

I.T.P. Sportsturf Velvetone is the organic lawn conditioner proved in action on the royal lawns at Ascot and the grass courts at Wimbledon.

For less than £15 an acre, the autumn/winter formula of Sportsturf Velvetone will condition your fine turf areas beautifully. Forty per cent organic, it contains trace elements and carefully balanced lawn foods exactly suited to the finer grasses.

It assists root action all winter long but doesn't encourage vigorous top growth until spring. (If you're a greenkeeper who hasn't the time or labour to apply turf dressing during the playing season, you'll find Sportsturf Velvetone extremely useful.)

For less-fine turf—I.T.P. Winter Outfield Fertilizer Seventy-four per cent organic, this high-grade fertilizer costs less than £10 an acre. It's excellent for cricket outfields, golf fairways, football grounds and other large sports areas. Good for construction of new grass surfaces too. (Also available with selective weedkiller.)

Order now from your local merchant or Fisons representative.



VELVETONE

is to measure the speed of the ball from the play position to the screen, therefore the shorter time a ball takes to travel from the play position to the screen the farther it will have travelled in actual course play. Having timed the speed of the shot the computer then transfers this information to the projector. The projectors then move up the fairway with a series of pictures, finally coming to rest at the position the ball would have finished.

The picture now presented to the player indicates the yardage of the shot just played and the yardage for the next shot to the green. The player having reached the green is instructed to putt from one of the three positions dependent upon the accuracy of his final chip, pitch or run up to the pin.

As previously mentioned the length of the player's drive is recorded and the yardage of the second or third shot to the green as may be, in addition.

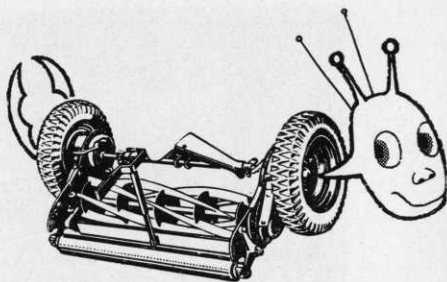
At present various courses are being photographed and in time these will comprise a film library from which the "Vistagolf" operator can draw film to replace the one at present in use in his existing projectors. The courses already photographed include the old course at Walton Heath.

The manufacturers of the electronic apparatus instal their equipment with a three years guarantee. The Managing Director of this Company states that this is possible due to exhaustive testing and the reliable components used throughout. However, following the three year guarantee period a small service charge is made which includes two free filmed course changes per annum.

This equipment, tried and tested by British Ryder Cup Golf Professionals whose assistance was invaluable and comments noted, has brought about a golf game that not only simulates all types of shots played on the course but is authentic with its accuracy. Two and four-ball matches can be played as on a course with each player playing out from the tee to the green and noting his putting position and the hole is then completed with all four putting out together.

A further advantage of "Vistagolf" is its adaptability to fit into all types of buildings, rooms, bars and lounges and its pre-fabricated construction facilitates

THE CUTTERPILLAR



Has an attachment to tractors, following them tirelessly in groups (or gangs) of 2 or 3 on playing fields, recreation grounds, fairways and similar large expanses of grass. Highly active from April to October, the Cutterpillar is thought by some groundsmen to have self-restorative powers during hibernation, but this is not so. To ensure a successful spring re-appearance careful nurturing is called for during the winter months and this is best left to experts.

Keep you grass cutting machinery in peak condition with regular Gibbs servicing. Hand, motor or gang mowers regrass, emergency repair or complete overhaul. Gibbs specialist engineers are equipped to handle them all quickly expertly.

Get on to GIBBS

FOR MOWER SERVICING

J. GIBBS LTD. Bedford, Middlesex. Feltham 5071

Specialized Distributors and Authorised Repair

Agents for **Ransomes** Lawn Mowers



By appointment
to Her Majesty
Queen Elizabeth II
Suppliers of
Agricultural Machinery
and implements,
and Motor vehicles



Two well-used phrases sum up

ATCO Mowers:

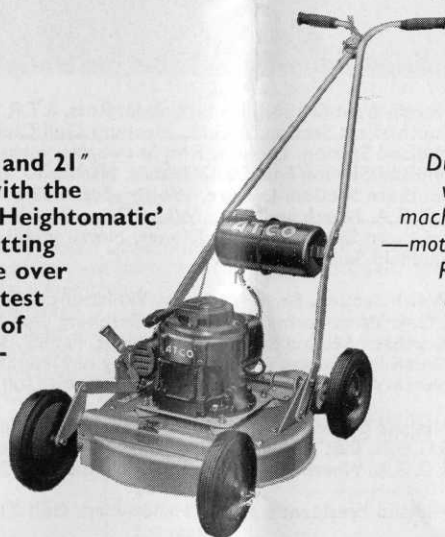
TRUE VALUE

LONG trouble-free LIFE

No need for us to extol the individual virtues of our mowers ATCO has been synonymous with quality for over forty years All this experience and all our advice is yours for the asking Our wide range of grass-cutting equipment for every purpose is matched only by ATCO's unique nationwide servicing arrangements

May we suggest a demonstration on your own turf?

The solidly built 18" and 21" Rotaries are fitted with the outstanding ATCO 'Heightomatic' height control permitting instantaneous change over from longest to shortest cut on a wide range of surfaces not demanding a high finish. Prices from £32.



During the next few months, we shall show all our large machines in our advertisements —motor mowers from 20" to 34", Rotaries and Gang Mowers. If you can't wait that long we will gladly supply full details on request.

removal from one site to another conveniently. The manufacturers also supply as an extra a pre-fabricated cedar wood building, modern in style and attractively finished.

Finally, as an optional extra, a coin rejector box may be fitted controlling the equipment. Therefore no supervision is necessary and "Vistagolf" may be used by the public in the same manner that they would use a snooker room, i.e., a 2s. 6d. coin giving a set time for play allowed by the operator making it completely automatic.

Sole Agents for Golf Clubs, Sports Clubs, etc:—

T Parker & Sons (Turf Management) Ltd.,

Worcester Park, Surrey
DERwent 7791

Contact G P Simpson, Sales Manager

Export and other enquiries:—

Four Square Enterprises Ltd.,
4 Crosby Square, London, E.C.3.
LONDON WALL 4872.

Contact M. A. Thompson, Sales Director



EDINBURGH

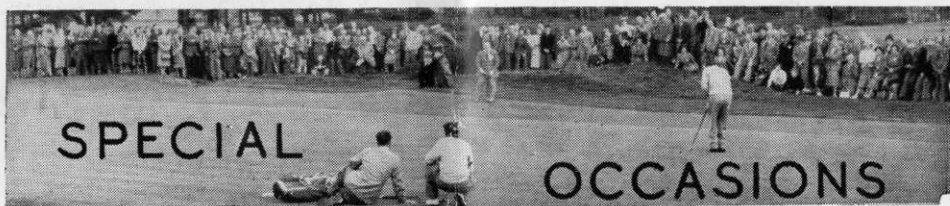
**FIBREGLASS FLAGSTAFFS
GRASS COMBS
GOLF FLAGS
AND SWITCHES**

NEW TURF SWITCH 'St Andrew'

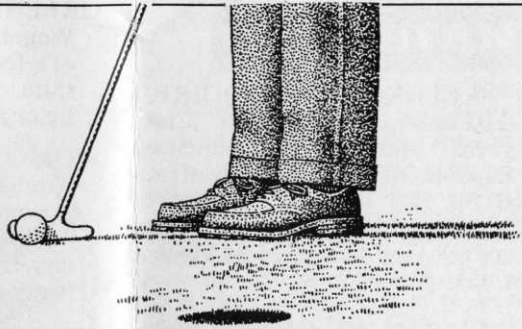
*Metal Shaft, Fibre Glass Tip,
Length Adjustable*

£4 15s. each

**STEWART & CO.,
SEEDSMEN LTD.
EDINBURGH, 2**



MARCH	1st	North-West Section, Lecture, J. D. Ross, S.T.R.I., Bingley
	9th	South-West Section, A.G.M., Henbury Golf Club, 7.30 p.m.
	15th	Midland Section, Lecture, Film Show, Warwickshire County Ground.
	16th	Midland Section Four Ball Alliance, Harborne Golf Club.
	16th	Southern Section, Lecture, Whitbreads, 6.30 p.m.
	19th	S.G.G.A. North and Mid. Whist Drive Social.
APRIL	25th	Southern Section, Annual Dinner, North Middlesex Golf Club.
	31st	Sheffield Section Lecture.
	13th	Welsh Section, Spring Meeting, Whitchurch Golf Club.
	21st	S.G.A. West Spring Meeting, St Cuthbert Golf Club.
	26th	Northern Section Spring Tournament, Pannal Golf Club.
MAY	28th	North-East Spring Competition, City of Newcastle Golf Club.
	28th	North-West Spring Tournament, Wallasey Golf Club.
	5th	Midland Section Spring Tournament, Kidderminster Golf Club.
JUNE	12th	S.G.G.A. East Annual Competition, Royal Burgess Golf Club.
	26th	S.G.G.A. North and Mid Annual Tournament, Deeside Golf Club.
AUGUST	28th	Midland President's Match, Handsworth Golf Club.
	8th	Annual Tournament, Little Aston Golf Club.
	9th	
10th		



Birdie

We cannot guarantee your form, but when it comes to the condition of the course, May & Baker Ltd have the answer in their range of selective weedkillers and fungicides. No matter what the sport, May & Baker brand products will improve conditions, by giving you perfect turf

-
- 'MOSTOX'*** A really effective moss killer.
-
- 'CLOVOTOX'*** Selective weedkiller for controlling clovers.
-
- 'DICOTOX'*** Showerproof selective weedkiller for general weed control on turf
-
- 'DICOTOX' EXTRA*** Four times as concentrated as Dicotox* for greater economy on larger areas of sports turf
-
- 'SUPERTOX' 30*** Broad spectrum selective weedkiller for turf
Kills weeds and clovers.
-
- 'MERSIL'*** Concentrated turf fungicide with rapid and lasting activity. Recommended for moss control
-
- 'MERFUSAN'*** Turf fungicide with similar range of action to that of Mersil*. For dry application.
-
- DDT CONCENTRATE** For the control of turf pests including leather-jackets.
-

In order that you may obtain these products quickly we have established a network of distributors, all of whom have been carefully selected for their sales service and knowledge of your special requirements.

In addition the M&B representatives will be supporting them in the field and available to help with your particular problems.

*trade mark
M&B brand Products.

MAY & BAKER LTD
Dagenham Essex
Tel DOMinion 3060
Exts 342 and 359.

HA3042

For details of this new network, and an up to date list of products and prices, post this coupon to May and Baker, Dagenham, Essex.

Please send me details of May and Baker Main Distributors, and a list of products and prices.

Name _____

Address _____

SITUATIONS VACANT

HEAD GREENKEEPER REQUIRED BY HILTON PARK Golf Club, Milngavie. Must be fully experienced and capable of organising staff required for two courses. Replies in writing, to be addressed to the Secretary Hilton Park Golf Club, 124 St Vincent Street, Glasgow, C.2.

GREENKEEPER REQUIRED John Jacobs' Golf Centre, Sandown Park. Salary by arrangement. Reply—Athlon Golf Club Ltd., 28 Baker Street, London, W 1

TADMARTON HEATH GOLF CLUB, Banbury, require qualified Head Greenkeeper Only applicants with first class experience considered. House available. Attractive salary offered. Reply to Secretary, Clubhouse, Wigginton Heath, Banbury

GREENKEEPER REQUIRED. Wages £14 per week. Apply, with copy of references to the Secretary, Leicestershire Golf Club, Evington Lane, Leicester

WORKING HEAD GREENKEEPER required. Good conditions of service. Accommodation provided if necessary. Applications to the Honorary Secretary, Harrogate Golf Club, Starbeck, Harrogate, giving age and experience.

ASSISTANT GREENKEEPER WANTED Apply to Secretary, Theydon Bois Golf Club, Epping, Essex. No accommodation available.

HEAD GREENKEEPER REQUIRED. Unusual opportunity for highly experienced man. Basic wage £25 per week, no tax, free accommodation. Write immediately with full particulars to George Robinson, Woodlawn Golf Club, Ramstein Air Base, Germany. Interview in London.

NITROFORM CONTROLLED RELEASE

Nitrogen Fertilizer

Nitroform is an organic turf fertiliser containing 38% nitrogen.

- * Does not scorch
- * Is labour saving—only one application needed a year
- * Releases nitrogen—the vital plant food for grass throughout the growing season

- * Has no smell
 - * Easy to spread by hand or distributor
- One application feeds the grass for a whole year giving a healthy sward of a rich deep green colour and a strong root system. Also available in compound fertilisers. Ask for **Nitroform** at your usual supplier of fertilisers. In case of difficulty write to



NITROFORM

AGRICULTURAL CHEMICALS DEPT

HERCULES POWDER COMPANY LIMITED
One Great Cumberland Place London W1

News



from the Sections

MIDLAND

By F Cashmore

Chairman:
G. HART
(Gay Hill)

Hon. Secretary:
76 Four Oaks Common Road
Sutton Coldfield, Warwickshire

THE SPRING TOURNAMENT WILL BE held at the Kidderminster Golf Club, on Thursday, 5th May closing date for entries 20th April.

Four Ball Alliance

The Committee of the Harborne Golf Club has allowed us the courtesy of their course for playing this match on Wednesday, 16th March, each member playing with a Vice-President. You will all have received the details from Reg Pugh by now

President's Match

Mr Bretherton has given me the date of his evening match at Handsworth Golf Club, which is Tuesday, 28th June. Please make a note of the date. I am sure the Vice-Presidents would like to keep it in mind as it is a red letter evening in our section events.

Lecture and Film Show

I have received a letter from the National Association of Groundsmen to say they have arranged a lecture and film show (colour slides) with Mr Hudson of Villiers Engines, to be held at the Warwickshire County Ground, Edgbaston, on Tuesday, 15th March, at 7.30 p.m. They extend a cordial welcome to our members to join them bar facilities will be available. I hope as many as possible of our members will avail themselves of this kind invitation.

Subscriptions

A few of our members are still owing their subscriptions. I shall be receiving a request from the S.T.R.I. for the addresses of members to receive their Research Journal and I cannot include anyone who has not paid up.

SOUTHERN

By W Mason

Chairman: W. E. MOORE (Romford)
Hon Secretary: 18 Albert Road, Hendon, N.W.4.
Tel.: SUNnyhill 0245

I NOW HAVE THE TICKETS FROM THE printers for the Dinner. Will members wishing to attend please write and let me know how many tickets they will require and I will send them along with pleasure at a cost of 20s. per head including gratuities. An early reply will greatly assist final arrangements to be made by the North Middlesex Golf Club. As in previous years we hope for a good attendance you are invited to bring guests who we hope will join you in a friendly game of golf beforehand.

End of Season

Our final lecture of the winter will be as usual a Quiz and we look forward to plenty of questions on problems you may have encountered, to keep the Quizmaster busy

The date Wednesday, 16th March, time 6.30 p.m. at Messrs Whitbreads Club Room.

MISCELLANEOUS

PROFESSIONALS AND GREENKEEPERS having stocks of used golf balls contact Sparkbrook Golf Ball Co., 295 Highgate Road, Stoney Lane, Birmingham, with a view to filling export orders.

KEEP'S

TESTED GRASS SEEDS
FOR HIGH SPEED
GOLF GREENS & FAIRWAYS
SELECTIVE WEED KILLERS
GRANULAR FERTILISERS
RECORD GRASS FERTILISER
CHLORDANE WORMKILLER



MAXWELL M. HART
(LONDON) LTD.

WINNERSH, WOKINGHAM
BERKSHIRE ..

Telephone West Forest 4242
STD Dial ORE 4314242





BY APPOINTMENT TO
HER MAJESTY THE QUEEN
Seedsman

IMPROVE YOUR TURF WITH **CARTERS** GRASS FERTILISERS

CARTERS SPECIAL GRASS FEEDER No. 1

An excellent steady feed for Spring and Summer use on Golf and Bowling Greens, Tennis Courts, etc. Produces a healthy growth and good colour to the finest turf. Apply evenly at 2 oz. per sq. yd. during damp weather or water in. For turf in poor condition, repeat after one month.

Prices on Application

CARTERS OUTFIELD AND FAIRWAYS FERTILISER (Spring/Summer)

Ideal for Spring renovation of Winter-Playing Pitches, Golf Fairways and other large areas of grass. Apply at 5 cwt per acre, preferably during damp weather.

Prices on Application

Full details of Grass Seeds, Fertilisers and Maintenance Equipment are now available in our "Spring Price List" post free on request. The 1966 Edition of our illustrated booklet "Treatment of Golf Courses and Sports Grounds" Free on request

GOLF COURSE ARCHITECTS AND GRASS SEED SPECIALISTS

Telephone: **Wimbledon 5111**
Sports Turf Advisory Dept.



**RAYNES PARK
LONDON
S.W.20**

NORTH-EAST

By D. Earsman

Chairman:
J SIMPSON

Hon. Secretary:
Arcot Hall Cottage
Dudley
Newcastle on Tyne 3

(Ponteland G.C.)

Spring Competition

WILL BE HELD ON THURSDAY, 28TH April at the City of Newcastle Golf Club with the kind permission of the Captain and Committee.

This will be an 18 medal event, commencing at 1 p.m.

Tom Auld

Here is a letter I received from the son of Tom Auld. Tom was Chairman of the North-East section for many years, and we shall never forget him. He was Head Greenkeeper at Ravensworth Golf Club for 40 years but has been retired for a number of years now

Dear Mr Earsman,

I should be grateful if you would please convey my parents' sincere thanks to the North-East Section of the British Golf Greenkeepers Association for the kindness shown towards them at Christmas.

My Father wished me to say how grateful he is, and would like to wish all concerned a Happy and Prosperous Year

Yours sincerely,

R. AULD.

I am sure you will join me in wishing Mr and Mrs Auld, a long and happy retirement.

New Member

We are pleased to welcome to the section Mr G B. Doyle who has been elected a Vice-President.

NORTH-WEST

By H. M. Walsh

Chairman:
D. PATE
(Royal Birkdale G.C.)

Hon. Secretary:
78 Hadfield Street,
Oldham, Lancs.

In Memoriam

IT IS WITH REGRET I HAVE TO INFORM members of the death of Mr H. Jackson, Head Greenkeeper of Mere Golf Club, Cheshire. On behalf of the Members, I send our deepest sympathy to his relatives in their bereavement.

Film Show

Our thanks to Mr Hewitt of the Longton Service Branch, Actos Ltd., for the very interesting lecture illustrated by films which made an entertaining evening. Twenty-four members attended.

Spring Tournament

The Captain and Council of the Wallasey Golf Club, Cheshire, have very kindly granted us the courtesy of their course and clubhouse for our Tournament and A.G.M. which will be held on Thursday, 28th April. This is an early notice further details will be given in the April issue.

New Members

We are pleased to welcome to the section the following new members:—

T Holmes of Huyton and Prescot Golf Club and J. MacDonald of Royal Lytham and St Annes Golf Club.

SHEFFIELD

Chairman:
G. HERRINGTON
(Lindrick)

By J. J. Dearlove
Hon. Secretary:
63 Langsett Avenue
Sheffield, 6

THE FIRST LECTURE OF 1966 WAS given by Mr Hicken, a technical advisor to Miln & Co. Ltd., (seedsmen) of Chester. His talk was on the subject of grass seeds and by all accounts, a most interesting and remarkable talk it turned out to be. I was not able to be there, much to my disappointment, but send thanks to Mr Hicken from the 20 or so people present, for a most enjoyable evening.

March Lecture

You will be pleased to know that our Editor Mr F W Hawtree will be the speaker at this meeting, on the subject of Golf Course Construction and Design. He is at present concerned in one or two projects in the area and if his last visit is anything to go by we should look forward to a bumper attendance.

Retiring

It will come as a surprise to all who know him that Percy Booker is retiring after 30 years with the Abbeydale Golf Club. His interest in green-keeping is as keen as ever and he seldom misses the opportunity to further his knowledge in turf culture. There is still a lot of greenkeeping in Percy and I feel sure we will see much of him for many years to come.

However, Percy, I would like to extend the best wishes of our members to you on reaching retirement age. Your support of B.G.G.A. has been second to none and I notice that you took the chair of this section at the 1948 A.G.M. in the early years of reformation of the section after the war.

We look forward to your presence on many more occasions and to sharing your valuable experience.

WELSH

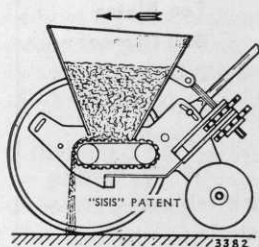
Chairman:
M. GEDDES
(Royal Porthcawl)

By S. A. Tucker
Hon. Secretary:
36 Clase Road
Morriston
Swansea, Glam.

THE SPRING MEETING WILL BE HELD on Wednesday, 13th April, at the Whitchurch Golf Club, Cardiff. Please notify me by 5th April if you will be attending, to enable me to arrange catering facilities, etc.

I am pleased to be able to tell you that George Brennan continues to improve health wise and we hope to see him at Whitchurch.

"SISIS"^{REGD PATENTS}



SPREADERS

Operate on the most **EFFICIENT** and **ACCURATE PRINCIPLE** for spreading of granular fertilisers, powdered dressings, turf chemicals and grass seed.

TRUSPRED Many Purpose Spreaders

Hand Models - 24 inch and 36 inch.

Tractor Mounted or Towed Models - 60 inch, 72 inch and 90 inch.

SUPER COULTAS Spreaders

There is also the 36 inch Spreader which includes the features of the TRUSPRED but is fitted with a Rotary Brush and Reduction Gears which ensure extreme accuracy at the lowest rates.

Other "SISIS" equipment for Greens and Fairways: Rotorakes, Trulute. Hand, powered and tractor-operated Aerators, Scarifiers and Brushes, etc.

"SISIS"^{REGD}
PATENT
EQUIPMENT

Demonstrations arranged on request.

Send for details:

"SISIS" EQUIPMENT (MAGGLESFIELD) LTD
MAGGLESFIELD - 6363 - CHESHIRE



HON. SECRETARY'S NOTES

ANNUAL TOURNAMENT

Little Aston, August 8th to 10th, 1966.

Our Vice-Chairman, Mr F Cashmore, 76 Four Oaks Common Road, Sutton Coldfield, has been making inquiries with regard to accommodation for members attending the above Tournament.

He informs me that he has received a lot of assistance from Mr Dennant, the Secretary of the Sutton Coldfield Artisans Golf Club, who has supplied him with a number of addresses, and if any of our members have difficulty in finding suitable accommodation, Mr Cashmore will be only too willing to help if they will get in touch with him.

NORTHERN

By J. Parker

Hon. Secretary:

Chairman:
D. ROBERTS 8 Goit Stock Terr Harden
(West Bowling G.C.) Bingley Yorks.

Spring Tournament

WILL BE PLAYED OVER THE COURSE of the Pannal Golf Club, Harrogate, on Tuesday, 26th April, 1966 (by kind permission of the Club Committee).

Handicaps

The following adjustments have been made:—
J. H. Readhead 18 to 16, C Garnett 22 to 20,
H. Marshall 21 to 20 and A. Robertshaw 16 to 15.

Grand National Sweep

Members are reminded that the closing date for the return of counterfoils and monies for the sweep is Monday, 14th March.

January Lecture

This was held on Thursday, 27th January, in the clubhouse of the West Bowling Golf Club when thirty-two members attended. The speaker was Mr P Horner, Northern representative of Hayter Mowers Ltd., who illustrated his talk with films of the whole range of machines describing them in detail and pointing out many features. This was followed by a long session of questions and discussion. A vote of thanks was proposed and seconded by our Chairman and Vice-Chairman respectively. A most enjoyable evening was brought to a close with eats and drinks kindly provided by Messrs Hayters to whom we express our sincere thanks. I expect also there will be certain members playing in the Spring Tournament with a new ball for the first time in their lives!

Mr Leslie Bakes

It is with deep regret that I have to inform members of the death of Mr Leslie Bakes, an Honorary Vice-President of the section, at the age of 76.



GOLF COURSE EQUIPMENT

Hole Tins	Tee Boxes
Cutters	Tee Plates
Staffs	Ball Cleaners
Mats	Tablets
Mowers	Rollers
Hose	Sprinklers
Mole Ploughs	Rotary Sifters

Aerating Machines

and all

Greenkeeping Tools

H. PATTISSON & CO. LTD.
STANMORE · MIDDLESEX
Telephone GRImdsyke 4171/4172

Leslie, as he was familiarly known by a wide circle of greenkeepers, was a staunch supporter of the Section and took a prominent part in initiating a pension scheme for members.

He was secretary of the Sand Moor Club and before that was Secretary at Moor Allerton. He was also Secretary of the North-Eastern Section of the Association of Golf Club Secretaries and of the Society of Leeds Golf Club Captains.

On behalf of the members I have written to Mrs Bakes offering our deepest condolences.

4

FISONS PEATS you will need:

1. FISONS HUMULL for dressing lawns, laying turf, or sowing grass seed.

Wholly organic, this superfine peat is specially blended to promote the growth of fine grasses. It encourages turves to knit, and assists in the essential moisture retention after they have been laid.

It's invaluable for top-dressing turf during maintenance treatment in the autumn because it promotes root activity, so necessary for growth next spring. Available in 1 cwt. bags. Minimum order 5 cwt. @ 28/- a cwt. carriage paid home.

2. OUTFIELD SEDGE PEAT for general soil improvement, especially on sports grounds.

This is a moist peat, very good for sports grounds with sandy or thin soil or with heavy soil which bakes during drought and becomes sticky in winter. Outfield Peat will 'open' the surface and allow the freer growth of grass. It will also counteract wet and sticky surfaces.

3. FISONS SELECTED PEAT for all-purpose soil improvement.

More decomposed than Sphagnum peat, this rich Sedge peat provides greater quantities of humus and therefore it is excellent for opening up heavy soils. Good too for making composts—John Innes Composts included, feeds humus-hungry beds and borders to produce optimum friable tilth.

4. FISONS RHODODENDRON AND SHRUB PEAT for root establishment and mulching.

An acid peat, this grade is specifically prepared for planting and mulching rhododendrons, azaleas and ericas.

It not only improves the soil with humus, but brings strong quick root establishment and provides a perfect mulch which helps in keeping down annual weeds.



Don't forget Fisons Fertilizers and Weedkillers — all research-proved for best results.
County prices can be provided by your merchant;
or write to — FISONS HORTICULTURE LIMITED, FELIXSTOWE, SUFFOLK.



THE SCOTTISH GOLF GREENKEEPERS ASSOCIATION

Chairman

J. K. CAMPBELL

St Andrews

General Secretary

R. B. MOFFATT

71 Kelton Street, Glasgow E.2. Phone SHE 6591

WEST SECTION

THE SPRING MEETING WILL BE HELD over St Cuthbert Golf Course, Prestwick, on Thursday, 21st April.

Late Member

We were sorry to learn of the death of Bruce Sharp of Cawder Golf Club. He was greenkeeper there for many years: he will be missed by all who knew him.

EAST SECTION

THE ANNUAL COMPETITION WILL BE held on Thursday, 12th May, over the Royal Burgess Golf Course, commencing 9.15 a.m. Entries to be sent to the secretary not later than 6th May

NORTH AND MIDLAND SECTION

Forthcoming Events

OUR ANNUAL WHIST DRIVE AND Social evening will be held on Saturday, 19th March at Nicoll and Smiberts Rooms, Nethergate, Dundee. Tickets can be obtained from members of the committee.

Our annual Golf Tournament will be held on Thursday, 26th May at Deeside Golf Club, please keep this date free.

Get off
to a
good start

Supaturf

FERTILISERS

Supaturf fertilisers are scientifically blended to ensure the correct proportions of organic and inorganic ingredients. They provide a regular and sustained release of essential plant food throughout the growing season. Get off to a good start, order your Supaturf fertilisers now.

For spring and summer application.

Supaturf A' for use on all fine turf areas Golf greens, Cricket Squares, Bowling greens etc.

Supaturf 'C' for Fairways, Outfields, Football and Hockey pitches etc.

FREE ADVICE on all aspects of the preparation, care and maintenance of sportsturf and lawns and you are invited to make full use of this service.



Supaturf PRODUCTS LTD., WERRINGTON, PETERBOROUGH. TEL: 71271/2
GRASS SEED FERTILISERS DRESSINGS SPORTSGROUND, PARK AND HORTICULTURAL SUPPLIES.



"If only He had given us a bigger cloud we could have laid out a few holes!"

**TOMORROW'S GREENKEEPERS
MUST BE TRAINED TODAY**

Write to

B. M. WOOD, F.C.I.S., HON SECRETARY

JOINT COUNCIL OF GOLF GREENKEEPER APPRENTICESHIP

ST IVES

BINGLEY

YORKSHIRE

*FOR INFORMATION ON ENGAGING AN
APPRENTICE ON YOUR COURSE*

FOR HIRE

SISIS AUTOTURFMAN Aerator for hire, £25 per week
Burnell, 2 Clarence Road, Eaglescliffe, Stockton on Tees.

Do it yourself. J. B.

Mrs Greenkeeper's Own Corner

with Ann Mawson

This month I have a few household hints I have had passed on to me and thought you too might find them useful.

To Pare Apples

Pour some boiling water over them before paring, letting them stand for one minute. They can then be pared quite thinly and easily

Beetroot

There will be no danger of cooked beetroot becoming mouldy, no matter how long it is allowed to lie if a little dry mustard is placed in a muslin bag beside it.

Cake out of Tins

Before attempting to take baked cakes out of tins, stand on a wet dish cloth for a few minutes and you will find the cakes leave the tins very easily

Cheese in Summer

Saturate a clean cloth in vinegar, wring it out well and place over cheese. By doing this it will be found that any sort of cheese will keep as fresh and free from mould as when first cut—for any length of time.

Beating the White of an Egg

To beat the white of an egg add a pinch of tartar to them when half beaten.

The whites will then never fall down before they are used.

Scrambled Eggs

When scrambling eggs add one tablespoon of fine breadcrumbs and one tablespoon milk to every beaten egg. Season with pepper and salt and cook in the usual way. By this means stale bread will be used up and one egg will go as far as two.

To keep the yolk of an egg

When only the white is required, beat up the yolk with a little cold water and it will keep fresh for several days.

Forcemeat

When making forcemeat, if the bread is soaked it will not need so many eggs to bind it.

Burnt Milk

If milk has been burned, pour it at once into a jug and stand it in a basin of cold water until it is cool, when all traces of burnt smell and taste will have disappeared.

Oversalted Soup

If you discover this in time, add one or two unsalted potatoes and the soup will lose the saltiness.

—Until April

R. C. CRAIG

AND CO. LTD.

SPECIALISTS IN THE REPAIR AND
MAINTENANCE OF ALL TYPES OF MOWERS

★ Agents for RANSOMES SIMS &
JEFFERIES Ltd.

★ LLOYDS & Co. Ltd.
WEBBS LAWN MOWERS

★ Distributors DENNIS BROS Ltd.

★ GANG MOWERS FOR HIRE

We will gladly call on you to advise on your grass cutting equipment or arrange demonstrations. Ring us now

★

**153 Arch Stamford Brook
Station, LONDON, W.6.**

RIVERSIDE 5415

BUYERS' GUIDE

BUNKER DRESSER

SMALLHOLDERS UTILITIES SUPPLY CO., 183
Hammersmith Road, London, W.6.

CLINKER, ETC.

T. PARKER & SONS, Worcester Park, Surrey

CONTRACTORS

GILLIAM & CO. Ltd., Purley, Surrey
J. R. STUTT Ltd., Canford Cliffs, Bournemouth.

EQUIPMENT SERVICING

R. C. CRAIG, Ltd., 30 Aylmer Rd., London, W.12.
GROSVENOR ENGINEERING CO., Manningham,
Bradford, Yorks.
RELF & KENDALL, 406 Brighton Rd., S. Croydon,
Surrey.
T. PARKER & SONS, Worcester Park, Surrey.

FERTILISERS

CANNOCK AGRICULTURAL CO., Ltd., Cannock,
Staffs.
CARTERS' TESTED SEEDS, Ltd., Raynes Park,
London, S.W.20.
FISONS, Ltd., Harvest House, Felixstowe, Suffolk.
T. PARKER & SONS, Worcester Park, Surrey.
STEWART & CO., Seedsmen Ltd., Edinburgh, 2.
SUTTON & SONS, Ltd., Reading.

FUNGUS CONTROL

CANNOCK AGRICULTURAL CO., Ltd., Cannock,
Staffs.
CARTERS' TESTED SEEDS, Ltd., Raynes Park,
London, S.W.20.
MAY & BAKER, Ltd., Dagenham, Essex.
T. PARKER & SONS, Worcester Park, Surrey
SUTTON & SONS, Ltd., Reading.

GOLF TEE MATS

UNIVERSAL MAT CO., Ltd., Tileyard Road,
London, N.7

GRASS SEEDS

CANNOCK AGRICULTURAL CO., Ltd., Cannock,
Staffs.
CARTERS' TESTED SEEDS, Ltd., Raynes Park,
London, S.W.20.
T. PARKER & SONS, Worcester Park, Surrey.
STEWART & CO., Seedsmen Ltd., Edinburgh, 2.
SUTTON & SONS, Ltd., Reading.

GREENKEEPERS' TOOLS & COURSE EQUIPMENT

R. C. CRAIG, Ltd., 30 Aylmer Road, London, W.12.
W. HARGREAVES & CO., Ltd., "Sisis" Patent
Equipment, Macclesfield, Cheshire.
H. PATTISSON & CO., Ltd., Stanmore, Middlesex.
T. PARKER & SONS, Worcester Park, Surrey.
STEWART & CO., Seedsmen Ltd., Edinburgh, 2.

INSECTICIDES

CANNOCK AGRICULTURAL CO., Ltd., Cannock,
Staffs.
T. PARKER & SONS, Worcester Park, Surrey.

LEAD ARSENATE

F. KEEP, Ltd., 82-84 North End, Croydon, Surrey.
T. PARKER & SONS, Worcester Park, Surrey.

ENQUIRY BUREAU.—The Editor desires to point out that he will be pleased to answer enquiries from our readers, and forward to them the name and address of the manufacturer or supplier of any particular proprietary article or product used in the construction, maintenance and upkeep of a golf course. Enquiries are coming in from greenkeepers asking for such information. They may, for example, know the trade name of the article or product they wish to purchase, but may not be conversant with the name and address of the actual manufacturer or supplier. The Enquiry Bureau will gladly supply this information, and thus enable the greenkeeper to contact the manufacturer or supplier direct.

TO MANUFACTURERS.—In order that our information may be kept constantly up to date, manufacturers or suppliers are requested to forward their latest trade lists, catalogues, and any other confidential information regarding their products. By so doing the Bureau will be able to function to the mutual benefit of all concerned.

TRADE REVIEWS.—The Editor will be pleased to arrange to devote space in our editorial columns to a review of our advertisers' products, etc. Will advertisers please forward details for this purpose.

LOAMS & MANURES

T. PARKER & SONS, Worcester Park, Surrey.

MOWER ENGINEERS

RELF & KENDALL, 406 Brighton Road, S. Croydon,
Surrey.
T. PARKER & SONS, Worcester Park, Surrey.

MOWERS

BRADLEY'S, Leeds Rd., West Ardley, nr Wakefield,
Yorks.
T. GREEN & SON, Ltd., Smithfield Ironworks,
Leeds, 2.
GROSVENOR ENGINEERING CO., Manningham,
Bradford.
LLOYDS & CO., Ltd., Pennsylvania Works, Letch-
worth, Herts.
T. PARKER & SONS, Worcester Park, Surrey.
H. PATTISSON & CO., Ltd., Stanmore, Middlesex.
C. H. PUGH, Ltd., P.O. Box 256, Acto Works,
Birmingham, 9.
RANSOMES, SIMS & JEFFERIES, Ltd., Orwell
Works, Ipswich, Suffolk.
HAYTERS (SALES) Ltd., 34 Spellbrook Lane, Bishop's
Stortford, Herts.
E. THOMAS & CO. (Oswestry) Ltd., (Dept. S.6)
Whittington Rd., Oswestry, Shropshire.

SEA SAND

T. PARKER & SONS, Worcester Park, Surrey.

SPRAY EQUIPMENT

T. PARKER & SONS, Worcester Park, Surrey.
PRESSURE JET MARKERS Ltd., 152 The Arches,
Stamford Brook, London, W.6.
B.O.I.L. RAIN SYSTEMS, Upper Halliford, Shepp-
ton, Middlesex.
F. W. BERK & CO., Ltd., Berk House, 8 Baker Street,
London, W 1

TRACTORS

T. GREEN & SON, Ltd., Smithfield Ironworks,
Leeds, 2.
W. HARGREAVES & CO., Ltd., "Sisis" Patent
Equipment, Macclesfield, Cheshire.
T. PARKER & SONS, Worcester Park, Surrey.
H. PATTISSON & CO., Ltd., Stanmore, Middlesex.

TURF AERATING APPLIANCES

W. HARGREAVES & CO., Ltd., "Sisis" Patent
Equipment, Macclesfield, Cheshire.
T. PARKER & SONS, Worcester Park, Surrey.
H. PATTISSON & CO., Ltd., Stanmore, Middlesex.

WEED CONTROL

MAY & BAKER, Ltd., Dagenham, Essex.
T. PARKER & SONS, Worcester Park, Surrey.

WEED CONTROL SPRAYING

T. PARKER & SONS, Worcester Park, Surrey.

WORM KILLER

CARTERS' TESTED SEEDS, Ltd., Raynes Park,
London, S.W.20.
T. PARKER & SONS, Worcester Park, Surrey
SUTTON & SONS, Ltd., Reading.

Parkers get down to grass roots

AND ALL PROBLEMS INCLUDING ARTIFICIAL SURFACES

The Parker service to grass is the most comprehensive of its kind. No less than 44 varieties of grass seed. Fertilisers, loams, weed and worm killers to maintain the turf in first rate condition. The finest stock of equipment in the country from rakes to leaf sweepers, mowers to sprayers. Ground accessories for every sport. An advisory panel which thrives on complex problems.

But we are just scratching the surface. Do write for our 88 page brochure — it tells you everything about us.

Netting in association with Proctor Nets Ltd.



**T Parker & Sons (Turf Management Ltd) Dept. BGG/3
Worcester Park, Surrey 'phone: DERwent 7791 (6 lines)**

Please send me your brochure. I am particularly interested in: (tick in box)

- | | | | |
|---------------------------|--------------------------|-------------------------------|--------------------------|
| VERDANT GRASS SEED | <input type="checkbox"/> | PERFECTO GOLF EQUIPMENT | <input type="checkbox"/> |
| SISIS AERATION..... | <input type="checkbox"/> | ROLLERS | <input type="checkbox"/> |
| VERDANT FERTILISERS | <input type="checkbox"/> | NETS AND NETTING..... | <input type="checkbox"/> |
| GRASS CUTTING | <input type="checkbox"/> | TRACTORS | <input type="checkbox"/> |
| LEAF SWEEPERS..... | <input type="checkbox"/> | WATERING ACCESSORIES | <input type="checkbox"/> |

NAME

ADDRESS