

## Manchester Village Planning Commission

March 9, 1982

The Regular Meeting of the Manchester Village Planning Commission was called to order by Chairman Hinkley at 7:37 p.m. Members present: Alber, Smith, Leeson, Krauss, Grossman, Kallewaard, Hinkley and Walton (arrived 7:43). Absent: Tracy. A quorum was present.

Minutes of the Regular Meeting of February 9 were approved as read, on a motion by Grossman, seconded by Alber. Minutes of the Special Meeting of February 26 were approved as read, on a motion by Leeson, seconded by Krauss. Hinkley announced that minutes of the Public Hearing of February 26 had been placed on file.

Mrs. Moulton of 107 North Washington was present to submit a request to convert the single-family house at that address to a duplex. It is located in an R-1B District (Single-Family Urban Residential). Because the site plan did not conform to the requirements of the Zoning Ordinance, the matter was tabled until the next regular Planning Commission meeting, at which time the Moultons expect to submit a revised plan.

The Secretary was requested to ask Fred Barkley of the Washtenaw County Metropolitan Planning Commission to attend the next regular Planning Commission meeting, for a review of some sections of the Zoning Ordinance.

The application of the Black Sheep Repertory Theatre for a conditional use permit, to operate live repertory theatre in the former church building at the corner of West Main and Washington Streets, was considered. All members present agreed that the Theatre, as it is currently operated, would meet the requirements of Article 50.0, Section 50.06 of the Zoning Ordinance for Conditional Uses. There was

a motion by Krauss, seconded by Leeson, that the Planning Commission recommend to Village Council the granting of a conditional use permit to the Black Sheep Repertory Theatre, to operate live repertory theatre in the former church building at West Main and North Washington Streets, subject to the following six conditions:

1. Performances must be scheduled to begin no earlier than 12 noon, and end no later than 11:30 p.m.
2. Internal and/or external sound shall be controlled so that there is no sound discernable at lot lines in excess of the average intensity of street and traffic noise at the lot lines.
3. No outdoor storage shall be permitted.
4. One sign, if desired, shall be allowed provided it conforms to the requirements of Article 53, Section 53.03.D of the Village Zoning Ordinance (not to exceed 18 square feet).
5. Foods to be available to theatre patrons should be limited to prepackaged, snack-type foods, and should not be prepared on the premises.
6. This permit shall expire two years after the date of approval by Village Council.

The motion was unanimously approved on a voice vote.

Alber reported on the preparation of a brochure that could be used in recruiting new business and/or industry to Manchester. He and Kallewaard will prepare a draft for review at the next regular Planning Commission meeting.

Hinkley reported that Pinnacle Engineering had been given final approval of architectural details of their building expansion, by himself and Alber as authorized by the Planning Commission. Pinnacle has been requested to plant some mature trees along their west property line, at the front of the lot.

Under New Business, the Commission began a review of fees and application forms for items covered by the Zoning Ordinance. Discussion will be continued at the next regular meeting.

Also under New Business, Alber outlined a program aimed at recruiting an educational institution to Manchester. He will continue to collect information on the subject, but action will be deferred until the above-mentioned brochure is ready. The meeting was adjourned at 9:24 p.m. Mary Kallewaard, Secretary

## 8th Grade Class Trip

There will be a meeting on May 6th, 8:00 p.m. at the Middle School gym for those going to Toronto. Parents, students and chaperons MUST attend. We will be passing out the baggage tags and final instructions for going. The chaperons will meet immediately following.

## Attention Women Bowlers

Anyone who is interested in bowling in an early league for The Manchester Town Club, please contact JoAnn Clark 428-8257 or Polly Brokaw 428-8119.

## News Of Good Things Growing

It's almost time for fresh Michigan asparagus to arrive at our markets, signalling that at long last winter is gone and spring is really here.

Michigan ranks third among the states in asparagus production. The 1981 commercial harvest amounted to more than 17 million pounds, worth nearly \$11 million, according to the Michigan Department of Agriculture.

About 70 percent of the crop goes into

processing, with the remaining 30 percent available for fresh market. It's a short season crop, so enjoy it while you can.

Incidentally, asparagus is an excellent source of vitamins A and C, iron, potassium and phosphorus. And there are just 35 calories in a cup of cooked asparagus - but remember that's not counting the butter or sauce you add.

I think nothing can beat the flavor of crisp, tender asparagus lightly dressed with butter and salt, and eaten as finger food. But here is another good recipe you might like to try.

Asparagus in Ambush is my adaptation of a James Beard recipe whose origin dates to early American cookbooks. I like the fanciful name and this is an attractive and unusual dish to serve for brunch.

Slice individual French rolls in half, scoop out most of the interior (saving the crumbs for another use), toast under the broiler until lightly browned, then brush with melted butter and keep warm.

Steam asparagus spears, which you have previously washed and trimmed, until just tender. Arrange the well-drained asparagus in the halves of rolls (you may have to cut to fit). Just before serving, top with hollandaise sauce, sprinkle lightly with paprika. Delicious! Figure on about three pounds of asparagus to fill six split rolls, serving 12 people.

Asparagus Vinaigrette can be served either hot or cold, dressed with oil and vinegar seasoned with herbs and salt. Or try mayonnaise to which you've added a little prepared mustard. Another choice could be sour cream flavored with dill or chives. Hard-cooked egg, mashed and blended with a little mustard, oil and seasonings, is another complementary dressing.



The average person spends about 20 years asleep.

## MANCHESTER INSURANCE AGENCY

122 WEST MAIN STREET  
MANCHESTER, MICHIGAN  
Phone 428-8215

Home-Farm & General Insurance

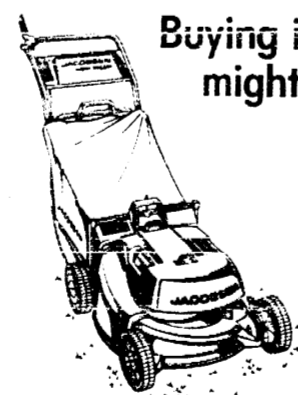
## Spring "Car & Yard" Tuneup Time

### LaROCK and SON

Auto & Small Engine Repair  
BOB & JACQUES, Owners  
15151 Sharon Valley Rd.  
Manchester, Michigan  
PHONE 313-428-8849

# JAKE SALE!

Buying our Super Bagger<sup>®</sup> for its big 3 bushel rear bag is smart.



Buying it on sale is mighty clever.

Jacobsen Super Bagger<sup>®</sup>

SAVE \$30.00  
Reg. \$329.95

Sale \$299.95

Get the best for yourself.  
**JACOBSEN<sup>®</sup>**

**KLEINSCHMIDT HARDWARE**

19870 Sharon Valley Rd.  
(Near Corner of M-52)

PHONE  
428-8337



MONDAY THRU FRIDAY 8 AM-6 PM  
SATURDAY 8 AM-5 PM  
SUNDAY 11 AM-3 PM  
ACROSS FROM ANN ARBOR BANK AND TRUST

## RUMMAGE SALE

Clothes and Miscellaneous Items

SATURDAY, MAY 8th

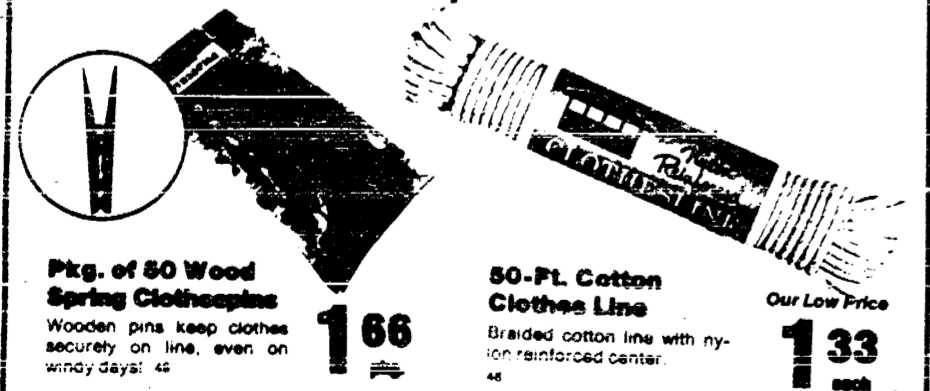
9 AM TO 1 P.M.

Emanuel Church Hall

Sponsored By  
MANCHESTER AREA WOMEN UNITED

## Family Wear Summer Special

Beachcombers For the Family \$3.99 to \$4.99 pr.



Pkg. of 50 Wood Spring Clothespins  
Wooden pins keep clothes securely on line, even on windy days! 166

50-PL Cotton Clothes Line  
Braided cotton line with nylon-reinforced center. 133

## BEN FRANKLIN

108 East Main Street  
Manchester, Michigan



# THE MANCHESTER ENTERPRISE

20 Cents Per Copy

115TH YEAR VOLUME NO. 28

USPS 327-460

THURSDAY, MAY 6, 1982

## Board Accepts Bid For School Roof

The Manchester Board of Education took action to award the project of roofing a portion of the high school to the Holt Roofing Company of Toledo, Ohio.

The Holt Company had submitted the low bid of \$2.25 per square foot for a Firestone Rubber Roof System. Approximately 15,000 square feet of the high school roof will be completed with this project.

Board Members noted that with the completion of this phase approximately 40% of the high school will have been re-roofed during the current fiscal year. Earlier in the year the high school gym had been re-roofed with a Carlisle rubber system which has eliminated the leaking problems.

It is hoped that approval of the bond issue before the voters at the annual June election will permit the completion of the re-roofing project at all buildings. It was noted that re-roofing costs are significantly lower than had been anticipated permitting more of the work to be completed.

## Substance Abuse Meeting - May 13th

The community's response to the first Substance Abuse Awareness Committee (SAAC) meeting was extremely positive. Over 120 persons were present. The second community meeting is planned for May 13 from 8:00-9:30 p.m. in the Middle School Gym.

The evenings program will include Officers Dennis Baaki and Robert Teld from the Detroit Police Department currently working on Young Boys, Inc. A Narcotics Ring. The police officers will identify narcotic paraphernalia commonly used.

Ronald Harrison, Director of Intervention Associates will speak on "Identifying Symptoms of Drug and Alcohol Misuse."

The topics for the coming session were chosen in response to the community's request. For further information call Brian Schick at 428-7442 or William Zsenyuk at 428-7877.

## 16th Annual Amateur Boat & Canoe Race

The annual Boat & Canoe Race sponsored by the Manchester Optimist Club will be held on the River Raisin in Manchester, Michigan, Sunday, May 16, 1982, at 1:00 P.M. Again this year, will be featured the sprint race near the Main Street Bridge. Rules and entries are available at the Gamble Store in Manchester. Entries close on Saturday, May 15, 1982 at 5:30 P.M.

## First Annual Arts Festival

The first annual Manchester Middle and High School Arts Festival will be held May 11 from 6-9 p.m. in the high school gym.

Student work from the Middle School and High School art department, home economics department, shop and Middle School woodshop will be displayed.

Refreshments may be purchased from the German Class Trip Club.

All of the Manchester bands will play selections for your entertainment and the Varsity Choir will sing.

## "Better Speech & Hearing Month"



Miss Leslie Szubeczek, Manchester Speech and Language Pathologist feeds "Mr. Snake" with kindergarten Michael Springer and Rodney Macomber.

This is the first of a series of four weekly articles dealing with speech, hearing and language impairments on occasion of May being "Better Speech and Hearing Month". Each article will deal with speech, hearing and language impairments that could occur in preschool, elementary, junior high and high school children.

Speech, language and hearing impairments of preschool children are frequently unidentified. In general, the preschooler should be able to express himself so he can be understood by people outside of his family. One of the difficulties that could impair the preschool child's expression is an articulation disorder. An example would be a child who is producing such a number of sounds incorrectly that he cannot be understood. At this age, a few later developing sounds are usually

## "Of Woods And Trees" In Art Gallery

Spring is here! And in honor of spring, The Manchester Art Guild's May show is titled "Of Woods and Trees". Several area artists and woodcraftsmen will be represented with works in media as diverse as oil paintings, basketry, and woodworking. The Michigan Woodworkers Guild will be assisting The Manchester Art Guild with selections for the exhibit. In addition, their member, Carter Blocksman from Grass Lake will jury the show.

Among the artists presenting their works for viewing will be Manchester's Jan Barbour. Her Choctaw Indian baskets have been featured in past exhibits. Also, John Rocus of Ann Arbor will be submitting a free form walnut table. The tree for this table was cut using a chainsaw mill which puts planks on the site. The slab in the table includes the croch of the tree measuring forty-one inches at its widest. Hal Horton of Dexter will submit several of his wooden animal sculptures.

Hours for the exhibit are Friday from 7:00-8:15 p.m., Saturday 10:00 a.m.-12:00 noon and 7:00-8:15 p.m., and Sunday 3:00-4:00 p.m. The Manchester Art Gallery is located at 138 E. Main Street, adjacent to the lobby of the Black Sheep Theater. The exhibit will run from May 7 to 23. Private showings may be arranged by calling 428-8798.

## HIT OR MISS by farley

My memories of popular music goes back, way back, to the days of World War I-to the days of "Oh How I Hate To Get Up In The Morning", "Over There", "How You Gonna Keep 'Em Down On The Farm", "O How I Wish Again I Was In Michigan", and all the others that today bring forth a wave of nostalgia-they and all the rest of them that quickened the pulses and the marching footsteps of the 1917-1919's.

All of this wave of nostalgia was brought forth because the other night I was idly twisting the dial on my radio when it gave forth with a program of songs popular in World War II which included several-"It's Been a Long Long Time" and "The White Cliffs of Dover", and oh so many now almost forgotten melodies of the thirties and the forties. These songs brought back to my mind's eye oh so many memories of romantic spring evenings and waves of patriotism and pride in our country.

Irving Berlin once said that America's past can be recalled through its songs-this must have been before songs began producing memories instead of headaches.

It's impossible to hear "Night and Day" or "You Always Hurt the One You Love" or other songs of this period sung by Crosby or Sinatra without one's mind drifting back to the days of big bands and of the love affairs that bloomed during that period. Yesterday's music was not electronic, it was mostly gentle, and too it was haunting.

Most vocals were sung not shouted-except perhaps when Cab Calloway sang "Minnie the Moocher", and I can't see for the life of me how such sentimental electronic ballads as "Pac-Man Fever", whatever that is, will stir waves of nostalgia a couple of decades from now-instruments in the forties and fifties were played not abused by "practitioners of punk". It's true that Benny Goodman jumped a bit and Sinatra swooned and Fats Waller mumbled over "Three Itty Bitty Fishes In a Little Bitty Pool" and "Maisy Dotes and Little Lambs Adaisy" sung by the Kay Kaiser aggregation shall forever remain meaningless, nowhere was there to be obtained a glimpse of even one guitar or convolution.

However I insist that the music of Paul Whiteman, Wayne King or even Ben Bernie and his "Youziz" recall a vanished way of life that was different than Today's. Musical bedlam just can't be romantic-but mebbe romance too has vanished from our way of life.

Yes, things were different in those days from the forties through the fifties and even into the sixties. Many of us didn't have TV then, we only had radio, and on radio, romance persisted. Nobody was seen being massaged by anyone, and boudoir scenes were nonexistent.

The first roadside table was the invention of Allan M. Williams. He was an engineer-manager for the Ionia County Road Commission. He devised the picnic table in 1929, and had a road commission worker build it out of planks salvaged from old guard rails. The table was placed in Boston Township, Michigan. A historical marker was erected at the site in 1964.



**The Manchester Enterprise**  
150 EAST MAIN STREET  
Manchester, Michigan 48158  
USPS 327-480

Phone 428-8173

The Manchester Enterprise was established in 1967 and is published each Thursday at 150 East Main Street, Manchester, Michigan with second class postage paid at Manchester.

Edward E. Steele, Publisher  
Lenore Steele, Editor

**Spur Of The Moment Inc.**

The Spur of the Moment Inc. is proud to announce the fact that each of thirteen events, or classes, that is held at our show has been sponsored this year, and we want to thank all of the nice people who have been so kind, now, and in the years past. Our first show was held on Sunday, May 2 and we had a nice turnout, along with perfect weather. Our judge was Beth Herring, and her ringmaster was Lynn Elliot, both from Belleville, they did a fine job.

**PONY HALTER:** Sponsored by Eames Animal Clinic, Manchester: 1st. Tara Oesterling showing Satchmo Queen, 2nd. Robyn Gillen handling Sam, 3rd. Amy Gillen with Sam, 4th. Biddy Jones leading Misty.

**YOUTH HALTER:** Sponsored by Wayne Buckner meat processing, Brooklyn: 1st. Karen Hawk with Joes Rosey Bars, 2nd. Sue Shear showing Tonto, 3rd. Kim Oesterling and Miss Ida Monte, 4th. Kanda Fletcher handling Aires.

**ADULT HALTER:** Sponsored by Peggy Friday and Sons, Brooklyn: 1st. Braun Sugar, handled by Jean Davis, 2nd. Run Gidget, shown by Louis Kubitz, 3rd. Cantell, led by Larry Gillen.

**PONY PLEASURE:** Sponsored by Dick and Lorry Alexander, Quarter horse farm, Manchester: 1st. Biddy Jones on Misty, 2nd. Robyn Gillen riding Misty, 3rd. Amy Gillen showing Sam.

**YOUTH PLEASURE:** Sponsored by Lynn Elliot, Belleville, Michigan: 1st. Karen Hawk on Joes Rosey Bars, 2nd. Kim Oesterling and Miss Ida Monte, 3rd. Sue

Shear riding Tonto, 4th. Tina Carlson showing Jodii.

**ADULT PLEASURE:** sponsored by B-G Saddlery, Gault Village, Ypsilanti: 1st. Fancy ridden by Gretchen Reed, 2nd. Braun Sugar and rider Jean Davis, 3rd. Louis Kubitz on Run Gidget, 4th. Chantell, carrying Larry Gillen.

**PONY EQUITATION:** sponsored by Janet Rayne, Clinton, Michigan: 1st. Biddy Jones and Misty, 2nd. Amy Gillen riding Sam, 3rd. Robyn Gillen on Misty.

**YOUTH EQUITATION:** sponsored by Ron Mann, of Mann's Feed Mill, Manchester: 1st. Tonto with Sue Shear up, 2nd. Miss Ida Monte and Kim Oesterling, 3rd. Joes Rosey Bars carrying Karen Hawk, 4th. Jodii and Tina Carlson.

**ADULT EQUITATION:** sponsored by Atlas Feed and Grain Co., Clinton, Michigan: 1st. Braun Sugar shown by Jean Davis, 2nd. Chantell and Larry Gillen, 3rd. Run Gidget, ridden by Louis Kubitz.

Our **WALK TROT** for Novice riders, had two riders, 1st. Tara Oesterling on Miss Ida Monte, 2nd. Kevin Blades on Twinkles.

The Special Class was **WESTERN RIDING:** sponsored by Bernard and Jean Davis of Shifty Acres, Manchester: 1st. Jean Davis on Braun Sugar, 2nd. Amy Gillen on Sam, 3rd. Tina Carlson on Jodii, 4th. Larry Gillen on Chantell.

The Speed Events followed the Performance Classes and are as follows.

**PONY HIGH POINT SPEED:** sponsored by Kosmyna Chiropractic Life Center, Clinton, Michigan: Biddy Jones on Misty had 17 points.

**YOUTH SPEED HIGH POINT WINNER:** sponsored by Annie White and Shirley Guenther of Manchester and Bridgewater: Sue Shear on Tonto, and Andy Wiseman on Trinket tied with 10 points each. They flipped a coin and Andy won the toss.

**ADULT HIGH POINT SPEED:** sponsored by David Little of the Clothes Line, Manchester: Debbie Wiseman riding Derby, and Gretchen Reed on Fancy tied with 10 points each; they flipped a coin and Gretchen won the toss, also the trophy.

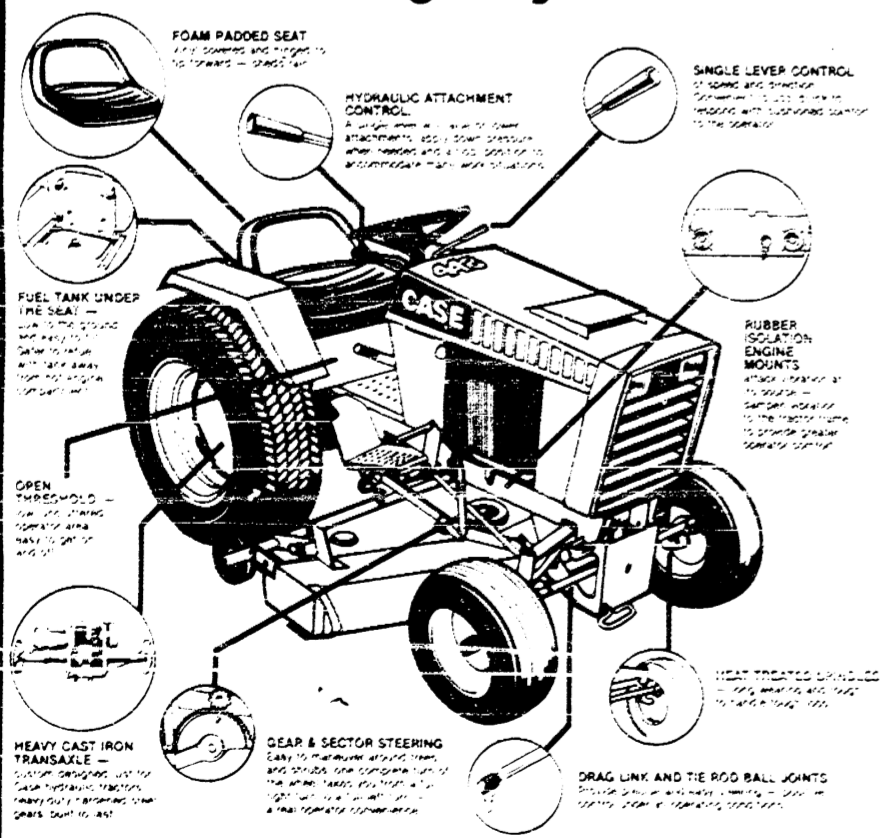
Our next show will be on Sunday, June 6th and 11 a.m. sharp. Please try to attend.

**Card Of Thanks**

I knew you would come when we needed you. More than that, you stayed and we appreciate it. You did everything needed for Grandma Kathryn when Grandpa James died, and no one could do it better. Thanks, Super Son.

Love from your Mother and Dad (Raip)

**GO FOR THE CASE DIFFERENCE.**  
You'll be glad you did.



Case Quality available only at Quality Case Dealers.

**K & W EQUIPMENT INC.**  
11100 Chelsea-Manchester Rd., Manchester, Mich.  
Phone 313-428-7666



**School Class Attends WSU Theatre**



Pictured are (first row, left to right) - B. Curley, M. Stimson, E. Lentz, S. Kleinschmidt, J. Sterle, L. Fusilier, K. Miller, M. Raab, M. Sterle. (Second row, left to right) - M. DuVall, J. Gebhardt, S. Barker, S. Platt, C. Romine, J. Gotts, J. Feldkamp, S. Knickerbocker, C. Rickleman, Mr. Hastings.

(Third row, left to right) - M. Moore, K. Sauter, M. Bunney, M. Stimson, L. Pierce and D. England. Not pictured is Mrs. John Sauter, who accompanied the group as a chaperone. Mrs. Sauter took the picture.

The Manchester High School students pictured here are seated on the steps of the Detroit Institute of Arts which they toured on the morning of Wednesday, April 28. Pictured with them is Mr.

Hastings, their English teacher, who conducted the trip to the Institute and to an afternoon performance of Shakespeare's "A Midsummer Night's Dream" at the Wayne State University theater, the Bonstelle.

**PROCTOR TRUCKING**  
HAY-GRAIN-EAR CORN GENERAL HAULING  
We don't want all the business, we just want yours!  
Jeff Proctor, Owner  
3399 Sharon Hollow Rd.  
Manchester, Michigan  
313-428-9492

**Sur. The Diagnostic Message**  
Have Your Engine Tuned Up By A Computer

**FRONT END ALIGNMENT \$24.95** Most American Cars

**AIR-CONDITION TUNE-UP \$15.00** Labor Plus Parts

**HEAVY DUTY SHOCKS SAVE 50% \$9.95** Price Does Not Include Installation Each

**STOP IN AND SEE ME FOR YOUR BEST TIRE DEAL**

**24 Hour Wrecker Service**

**MARATHON PRODUCTS FILLYAW'S SERVICE**  
19860 Sharon Valley Rd. Manchester, Mich. PHONE 428-8576 327 WEST MAIN

**Obituaries**

**James Ray Flint**  
112 S. Macomb St. Manchester  
Age 92, Mrs. Fisher died April 29, 1982. She was born September 9, 1889 in Washtenaw County. Funeral services were held Saturday, May 1, 1982, at the Gorsline-Runciman Lansing Chapel, Lansing, Michigan, at 2:30 p.m. Interment was at Deepdale Memorial Park, Lansing.

**Monroe (Bud) Eversole**  
9816 Clinton Rd. Manchester  
Age 52 years, died suddenly Friday, April 30, 1982 at St. Joseph Mercy Hospital. He was born August 23, 1929 in Ohio, the son of Monroe and Hattie Knickerbocker Eversole. He was married to Joanne Meyer on March 24, 1961. She preceded him in death on May 14, 1977. Mr. Eversole was a member of the Manchester United Methodist Church. He is survived by one daughter, Miss Ann Eversole at home; two sons, Gary of Manchester and William at home; four brothers, Dale of Napoleon, LaVern, Ray and Tom, all of Manchester; five sisters, Mrs. Dorothy Fischer of Manchester, Mrs. Ruby Lowey of Tecumseh, Mrs. Ethel Norley of Whitmore Lake, Mrs. Betty Osborne of Tecumseh, Mrs. Wilma Thompson of Tecumseh; also several nieces and nephews. He was preceded in death by an infant son Jeffrey. Funeral services were held Monday, May 3, 1982, 1 p.m. at the Manchester

**Ida Clara Fisher**  
Grass Lake, Michigan  
Age 92, Mrs. Fisher died April 29, 1982. She was born September 9, 1889 in Washtenaw County. Funeral services were held Saturday, May 1, 1982, at the Gorsline-Runciman Lansing Chapel, Lansing, Michigan, at 2:30 p.m. Interment was at Deepdale Memorial Park, Lansing.

**Richard B. Schmitz**  
9917 Cady Road Jackson  
Age 71 years, died suddenly Monday, April 26, 1982 at Foote Hospital East in Jackson. He was born June 11, 1910 in Cariger, Ohio, the son of Frank and Mageline Niner Schmitz. He was married to Elsie Boelter on June 24, 1933. She survives. Mr. Schmitz was a member of St. Mark's Lutheran Church in Brooklyn. In addition to his wife he is survived by: Son-in-law, Darrell Blakeman of Laredo, Texas; Special daughter, Judy Stanfield of Jackson; two grandchildren, Mark Blakeman and Wendy Blakeman; one great-grandson; two brothers, Rudolph and Vincent, both of Grass Lake; and several nieces and nephews. He was preceded in death by a daughter Evelyn Blakeman in 1971 and a son Leroy Schmitz in November 1981. Funeral services were held Friday, April 30, 1982, 11 a.m. at St. Mark's Church in Brooklyn. Reverend Lenhart Etzel officiated. Burial followed in Oak Grove Cemetery in Napoleon. Memorial contributions may be made to the Heart Fund or to the charity of your choice. Arrangements made by Jenter Funeral Home.

United Methodist Church. Rev. Thomas Hart officiated. Burial followed in Oak Grove Cemetery. Funeral arrangements by Jenter Funeral Home.

**Richard B. Schmitz**  
9917 Cady Road Jackson  
Age 71 years, died suddenly Monday, April 26, 1982 at Foote Hospital East in Jackson. He was born June 11, 1910 in Cariger, Ohio, the son of Frank and Mageline Niner Schmitz. He was married to Elsie Boelter on June 24, 1933. She survives. Mr. Schmitz was a member of St. Mark's Lutheran Church in Brooklyn. In addition to his wife he is survived by: Son-in-law, Darrell Blakeman of Laredo, Texas; Special daughter, Judy Stanfield of Jackson; two grandchildren, Mark Blakeman and Wendy Blakeman; one great-grandson; two brothers, Rudolph and Vincent, both of Grass Lake; and several nieces and nephews. He was preceded in death by a daughter Evelyn Blakeman in 1971 and a son Leroy Schmitz in November 1981. Funeral services were held Friday, April 30, 1982, 11 a.m. at St. Mark's Church in Brooklyn. Reverend Lenhart Etzel officiated. Burial followed in Oak Grove Cemetery in Napoleon. Memorial contributions may be made to the Heart Fund or to the charity of your choice. Arrangements made by Jenter Funeral Home.

Carrots are always colorful and nutritious, too. Dress them with a honey-lemon glaze, or season with butter, a pinch of dill and a little nutmeg.

I think vegetables are far more flavorful when cooked just until tender, and I don't know why old cookbooks advised cooking them so long. One old recipe says green beans should be cooked until they mash when pinched between two fingers. Imagine!

Green beans have probably been abused more than most vegetables, but crispy tender they are delicious, combined with sliced mushrooms, or crumbled bacon, or simply topped with a little hot cream and melted butter. They're good, too, served cold with French dressing, or added to a tossed green salad.

Happily, we see many vegetables served raw these days, for which we can thank the trend to calorie-counting and use of dips. What is more colorful than a tray of raw cauliflower and broccoli flowerets, celery and carrot sticks.



**DIAL-A-GARDEN**

The following schedule of Dial-A-Garden, the system of pre-recorded daily gardening tips is sponsored by the Washtenaw County Cooperative Extension Service. The system is in operation 24 hours per day, 7 days per week. Interested persons are invited to call 971-1122 at their convenience and receive timely, up-to-date gardening information.

Wednesday, May 5, Lawn Renovation.  
Thursday, May 6, Turf Grass Varieties That Do Well in Michigan.  
Friday, May 7, Rhubarb-Harbringer of Spring.  
Monday, May 10, Birch Problem Controls.  
Tuesday, May 11, Buying Transplants.  
Wednesday, May 12, Hardening Off Transplants.

**News Of Good Things Growing**

Have you ever thought about how color influences our appreciation of food? We have a young family friend who is a vegetarian, so I prepare extra vegetables to accompany our meat dishes when she is visiting. Thanks to all of those good things growing in Michigan, it's easy to assemble a gorgeous array of colorful vegetables with appetite and eye appeal. One of my favorites is simple - cooked shoestring beets combined with sour cream and a goodly measure of grated horseradish. You wind up with a beautiful pink vegetable, and the horseradish gives

**NOTICE!!!!**

We are increasing the price of grave spaces to \$200 each on July 1, 1982. Present price is \$175. each. Anyone interested, please contact Ronald Jenter, 302 E. Main Street, Manchester, Michigan 48158. Phone 428-8250. Oak Grove Cemetery Board

**MARGIE'S UPHOLSTERY**  
6245 Brooklyn Rd., Napoleon  
Wide Selection of Fabrics  
Pick Up & Delivery Available  
517-536-4230

**do it right!**

**GM FORD CHRYSLER AMC IH** TOP QUALITY SERVICE FOR ALL THE FOLLOWING VEHICLES **SUBARU TOYOTA HONDA VW FIAT**

**BRITISH LEYLAND BOGUE AND VERHINES Automotive Service Inc.**  
660 WEST MAIN STREET MANCHESTER, MICHIGAN 428-9230

**We Do House Work.**

If you're tired of all the hard work associated with scraping, painting and repairing your gutters and downspouts, give us a call right now. We can install beautiful new Alasco rain-carrying equipment, at a very affordable price.

**Call Now for your free Estimate! 428-8836**

- Alasco's Quality Rain-Carrying Equipment
- KICK THE PAINT HABIT
- POPULAR COLORS
- COMPLEMENTS ANY HOME
- Does not rust like galvanized metal
- Prevents streaks and stains on building face
- Protects fascia
- Prevents water damage to the foundation

**R. D. Kleinschmidt Inc.**  
19860 Sharon Valley Rd. Manchester, Mich. **ALSCO Anaconda 4**

**A&L FLEET SUPPLY**  
— A DIVISION OF A&L PARTS, INC. —  
For 64 years, a Michigan leader in truck parts & equipment  
524 South Main Ann Arbor 313/665-4411

**TRACTOR - PLOW - DISC COMBINE - TRUCK**

All are important farm implements. All need to be operating in tip-top order. A&L can help you by having the truck and tractor parts you need - on hand - in stock - ready for you - now!



# COUNCIL PROCEEDINGS

April 19, 1982

The regular meeting of the Manchester Village Council was called to order by President John Hinkley at 7:00 P.M. Present: DuRussel, Petch, Koebbe, Tracy, Reed, Kallewaard, Zsenyuk, Smith, and Steele.

Minutes of the April 5, 1982 meeting were read. Moved by Koebbe, supported by DuRussel: to approve minutes as read. Motion carried.

Minutes of the Special meeting held on April 15, 1982 were read. Moved by Koebbe, supported by DuRussel: to approve minutes as read. Motion carried.

Bob Garcia, Trooper from Northville State Police Post, read a letter from Colonel Hough, Director of the State Police, commending Chief Zsenyuk on his effort in promoting the Hockey Game in the memory of Craig Scott. Trooper Garcia presented a plaque to Chief Zsenyuk from the Michigan State Troopers Assoc. in appreciation for his hard work and dedication in organizing the Benefit Hockey Game on March 13, 1982 for the family of Trooper Craig Scott.

John Schable and Bob Harrington from Cunningham-Gooding were present to discuss with Council the tearing up and replacement of sidewalks, gutters, curbs, water service and streets. Mr. Harrington suggested the Gas Company be contacted, prior to paving the streets, and they will make a survey of where their gas mains are located. Zsenyuk asked for a cost factor on removing the old sidewalks. Mr. Harrington said he would contact him on Wednesday with a cost factor. Mr. Harrington also suggested the Village have an engineering firm come in and engineer the project. He recommended Washtenaw Engineering Company from Ann Arbor. Hinkley asked Zsenyuk to get an estimate from Washtenaw Engineering Co. Koebbe presented the Public Works

report: Worked at Treatment Plant: Backwashed filters; Replaced street signs where needed; Read water meters; Plowed snow; Rotted sewers; Routine maintenance at shop; Worked on tree removal; Routine water system maintenance; Took trash to Landfill; Cleaned at Landfill; Patched streets; Moved wall at the shop; Worked in the Parks.

John Hinkley read the bids on a 1982 1-Ton Dump Truck: Tirb Chevrolet - Two Wheel Drive \$11,549.00, Four Wheel Drive \$13,759.00, Widmayer Ford - Two Wheel Drive \$10,846.00, Chrysler Proving Ground - Two Wheel Drive \$12,824.00, Four Wheel Drive \$14,975.00. Moved by Koebbe to purchase the 1-Ton Dump Truck from Widmayer Ford for \$10,846.00, supported by Reed. Motion carried.

Clerk Kensler read a letter of resignation from James Baker. Letter on file. Hinkley said the Council accepted with regrets. Zsenyuk asked if the position should be posted. He said the Village will be getting two Ceta workers. Zsenyuk said he would bring the applications for the D.P.W. position at the next meeting.

A discussion followed on the Building, Electrical and Plumbing permits. DuRussel moved to recind the minimum charge of \$15.00 for all permits and change the minimum fee to \$25.00. Supported by Kallewaard, motion carried.

Discussion followed on sodding Kirk Park and placement of bleachers and benches. Petch moved to buy the sod from American Turf Farm in Stockbridge to sod the two fields at Kirk Park at a cost of \$300.00, buy three bleachers, two for Kirk Park one for Carr Park and six benches. John Schable will make four 8x15 foot concrete pads at \$90.00 apiece, supported by Reed. Motion carried.

Petch moved to buy Petasias for Wurster Park, supported by Koebbe.

Motion carried.

Hinkley asked if there was any discussion on the Council Committee Assignments. The committee Assignments are as follows: Public Works - S/W and Streets - Gale Koebbe - Chairman, Howard DuRussel, Keith Reed and William Zsenyuk. Finance and Budget - Keith Reed - Chairman, Clifford Tracy, Gale Koebbe and William Zsenyuk. Health and Safety - Clifford - Chairman, Mary Kallewaard, Gale Koebbe and William Zsenyuk. Planning Commission Rep. - Mary Kallewaard - Chairman, Clifford Tracy, David Petch and William Zsenyuk. Ordinance - Howard DuRussel - Chairman, Mary Kallewaard, David Petch and William Zsenyuk. Village Parks, Recreation & Water Bills - David Petch - Chairman, Keith Reed, Howard DuRussel and William Zsenyuk. Mayor Pro-tem - Mary Kallewaard. Village Assessor - Wendell Reinhart. Village Attorney - Gisting and Gisting. Supt. of Public Works - Don Smith. Chief of Police - William Zsenyuk. Health Officer - Glen Lehr. Fire Inspector - James Kensler. Building Inspector - L.V. Kirk. Plumbing Inspector - James Samonek. Sewer Inspector - Don Smith. Civil Defense Director - William Zsenyuk. Grants Coordinator - William Zsenyuk.

Hinkley asked if Council wanted to discuss the Wage Package. Tracy asked if the Council would table the matter until he was able to look over the existing budget.

Citizens in the area of Duncan and Hibbard Streets complained of poor T.V. reception. The F.C.C. was contacted and they advised us to contact Consumers Power. Consumers Power checked out area

and found faulty wiring at our Sewage Plant. Manchester Electric rectified the problem.

Council approved Claran Knauss's membership renewal in the Building Official's Conference of Michigan. DuRussel moved to adjourn the meeting, supported by Tracy. Meeting adjourned at 9:00 P.M.

Helen J. Kensler  
Village Clerk

## Girl's Track

Manchester's Lady Dutchmen lost 90-33 to a strong Blisfield squad this past week. Leading the Dutch again was Kari Agin with four first places in the 100 yard dash, 220 yard dash, 110 yard low hurdles and the 220 yard hurdles. Kay Eversole's win in the 440 yard dash was Manchester's only other first place.

The injury plagued team lost a close decision to Clinton 68-55. Injuries have taken Mary Chapin, Laurie Fuslier, Kristin Krauss, Laura Pierce, and Kathy York out for the season.

Four first place wins by Kari Agin led the Dutch. Kari's times of 16.9 in the 100 m hurdles, 12.9 in the 100 m dash, 30.4 in the 200 hurdles and 26.9 in the 200 m dash were outstanding. Chris Weirich had a first in the High Jump and a second in the 1600 m run. Sr. Jenny Feidkamp had second places in both hurdles and Sr. Kay Eversole had second places in the shot put and the 400 m run. Natalie Walkowe, Charlotte Rickelman and Betsy Royle also had second place points for Manchester.

## 300 Club Winner

The 1st winner of this years drawing of The Manchester Fire Fighter Association 300 Club is Gale Koebbe with ticket #050. Ticket was drawn by Jack Rowe.

**Chelsea Plumbing**

New Construction  
Remodel  
Repair

Electrical Pipe Thawing  
Water Heater Replacement  
Boiler Repair & Replacement

475-1037

**Hartmann Carpentry**

Jim Hartmann 313-475-9301  
Dan Wampler 517-456-4305

Licensed and Insured  
Residential Builder With  
14 Years Experience

Pole Barns Additions  
Roofing Siding  
Decks Remodeling  
Rough Ins Finish Work

**Spear & Associates, Mann Realtors**

122 WEST MAIN PH 428-8388 DAILY MANCHESTER

Open Sunday 1-4 PM  
12649 Schleweis Rd. (Just outside Manchester Village limits) 20 Acres Plus 3 bedroom home with new furnace & roof, full basement, attached 3 1/2 car garage, 20 x 32 barn, Land Contract terms. \$75,500.

New Listing - Quality brick ranch on 7.65 acres, beautiful yard with many spruce & fruit trees, 3 bedrooms, 2 baths, full basement, 2 1/2 car garage 4 miles SW of Manchester, Land Contract terms. \$91,500.

New Listing - 3 Yr. Old Ranch on 10 acres, rolling land with spectacular view, 4 bedrooms, 2 baths, walkout basement with woodburner, fenced pasture, Land Contract possible. \$86,500.

Village of Napoleon-Three bedroom home in excellent condition, new furnace, carpeting, & water heater, fenced backyard, close to schools. \$34,500.

Building Sites—  
2 to 30 Acres - Rolling land, some perfect for solar or inground home. Land Contract terms, starting at \$11,500.

OFFICE HOURS  
Monday thru Friday 9 a.m. to 5 p.m. Saturday 9 a.m. to 12 noon  
OFFICE PHONE 428-8388  
EVENINGS AND WEEKENDS

JIM MANN 428-8074  
DENISE WALTER 428-7583  
ELLIS PRATT 428-8562

**MANCHESTER ELECTRIC, INC.**

DUE TO ANOTHER EXPANSION OF THE MANCHESTER DELI, MANCHESTER ELECTRIC HAS TO MAKE ROOM.

WE WILL BE HAVING AN AUCTION OF EXCESS INVENTORY ON SATURDAY, MAY 28.

WATCH FOR DETAILED LIST

112 Adrian Street Manchester, Michigan  
Phone 428-8243

**Ambassador Mothers' Day Cards**

THE FINEST IN GRADUATION CARDS  
NAPKINS - TABLECOVERS  
CANDLES - PLATES - CUPS  
In Class of "82" Colors  
Silver and Blue

**BEN FRANKLIN**  
108 East Main Street  
Manchester, Michigan

## Hospice Of Washtenaw

At fifty-five years of age, Ben thought he was prepared to deal with just about anything. After all, he had a good job, a loving wife, three grown, well-adjusted children, and two favorite hobbies. But lately, he had been feeling lethargic to the point where he consulted his physician. After several doctor's visits and many laboratory tests, Ben was now speaking with his doctor and the doctor was saying "cancer." Ben wasn't hearing much, but he

did realize that the doctor was talking about a wide-spread, incurable cancer. Ben felt confused, lonely, frightened and helpless.

Sheila and Sam are the parents of Tod, an inquisitive, active nine-year-old. Recently Tod has had severe headaches and his present behavior is in stark contrast to his formerly cheerful, somewhat mischievous personality. Sheila and Sam are anxious. They have learned that Tod has a brain tumor. There is no cure.

Ben and Tod are somewhat representative of many people in Washtenaw County. Each year several

hundred county residents die of a terminal illness. These people live for several months with the knowledge that they are going to die and relatively soon.

Since January, 1981, a new agency has been helping people like Ben, Tod and their families. Hospice of Washtenaw serves terminally ill people like Ben and Tod by providing a program emphasizing living and loving. Hospice of Washtenaw boldly affirms life by giving intensive caring and concern to the special needs of the terminally ill and their families. Hospice offers an alternative to the institutional setting by enabling the terminally ill to stay at home with comfort, dignity and family.

The Hospice Board of Directors has broad community representation from throughout the county of Washtenaw. It is planned that, when the agency is fully operational, one hundred patients and families will be served per year.

Services consist of providing companionship, friendly visiting, emotional support, respite care and transportation assistance. People from the agency also help with household chores and errands. Care plans emphasize individual family needs. The agency attempts to ease the burdens of families involved in a most stressful situation. Families contract with local home health care agencies for direct nursing care. The home health care agency nurses attend hospice training sessions and become members of the Direct Care teams.

The services are provided by multidisciplinary teams consisting of physicians, nurses, pharmacists, social workers, clergy and lay volunteers. Some of these people provide consultation on matters pertaining to pain control, physical comfort, spiritual assistance or handling of emotional stress. Others participate in a team which directly addresses patient and family needs in the home. The most frequent requests to Hospice are for assistance with pain control and family stress, so expertise in these areas is being emphasized by the agency.

Another goal of Hospice of Washtenaw is to provide community education programs that will inform and assist the residents of the county in matters concerning the needs of the terminally ill and their families. For instance, it is important for people to understand that, although most hospice patients have cancer, the program is open to people with any terminal illness. Another important aspect of hospice is its goal to utilize to the fullest extent possible already existing community resources. Thus, there is a lot of identification and coordination with other agencies that may have resources to meet hospice patient and family needs.

From January, 1981, through April, 1982, Hospice of Washtenaw has provided services to fifty-six patients and their families. Over three hundred other people have received referral and counseling services. The Bereavement Support Group has also had sixty participants. This group meets in the Hospice office in the evening of the last Tuesday of each month. Any county resident who has experienced or is experiencing the death of a relative or friend is invited to attend this group, which is moderated by people knowledgeable in the field of grief and mourning.

Volunteers are the backbone of Hospice  
Continued on page 9

**WE'RE THE ORIGINAL FAMILY PHARMACY**

Thirteen years ago a group of independent owners of family pharmacies banded together and became the Family Independent Pharmacy group. Our slogan was "Our business is run by a family—yours!" Today that principle is even stronger.

We still provide our customers with the positive things that set us apart from the mass marketing chains.

FRIENDLY, COURTEOUS and most important, PERSONAL service from someone you know. Someone who will furnish better information and be understanding of your problems.

**SEE WHAT FAMILY STYLE SERVICE IS REALLY LIKE.**

<b>ARRID XX</b> Anti-Perseptant Solid Deodorant 2 oz. \$3.32 Value F.I.P. Price <b>\$1.58</b>	<b>BEN-GAY</b> Ointment Greaseless, Original or Gel 3 oz. \$4.16 Value F.I.P. Price <b>\$2.44</b>	<b>CALADRYL</b> Lotion 6 oz. \$4.21 Value F.I.P. Price <b>\$2.25</b>	<b>CEPACOL</b> Mouthwash 18 oz. \$3.54 Value F.I.P. Price <b>\$1.95</b>	<b>CHAP STICK</b> Lip Balm Regular, Strawberry and Orange 3 1/2" Value F.I.P. Price <b>49c</b>	<b>CHLOR-TRIMETON</b> Tablets 4 mg. 24's \$2.49 Value F.I.P. Price <b>\$1.30</b>
<b>CLAIROL</b> Frost & Tip Kit \$10.50 Value F.I.P. Price <b>\$6.66</b>	<b>CLAIROL</b> Kindness Body Wave or Curly Wave Refill, Natural Formula or Color-Treated Formula \$4.43 Value F.I.P. Price <b>\$2.79</b>	<b>CURITY</b> Cotton Balls 300's \$1.84 Value F.I.P. Price <b>\$1.09</b>	<b>DERMOLATE</b> (Hydrocortisone) Anti-Itch Cream 15 gm. \$2.49 Value F.I.P. Price <b>\$1.29</b>	<b>DESENEKX</b> Ointment 8 oz. or Powder 3 oz. \$3.29 Value F.I.P. Price <b>\$2.29</b>	<b>EX-LAX</b> Chocolated Laxative Tablets 18's \$1.86 Value F.I.P. Price <b>\$1.17</b>
<b>GERITOL</b> High Potency Iron-Vitamin Supplement 40's \$5.43 Value F.I.P. Price <b>\$3.29</b>	<b>METAMUCIL</b> Natural-Fiber Laxative Regular or Orange 7 oz. \$4.70 Value F.I.P. Price <b>\$2.98</b>	<b>NOXZEMA</b> Skin Cream 4 oz. \$1.96 Value F.I.P. Price <b>\$1.28</b>	<b>Percogesic</b> Analgesic Tablets 100's \$8.34 Value F.I.P. Price <b>\$4.95</b>	<b>TUMS</b> Low Sodium Antacid Tablets Original or Assorted Flavors 150's \$4.10 Value F.I.P. Price <b>\$2.58</b>	<b>PRELL</b> Shampoo Liquid 11 oz. or Concentrate 5 oz. \$3.38 value F.I.P. Price <b>\$1.89</b>
<b>CIE</b> Concentrated Cologne Spray 1/2 oz. "For Mother's Day" \$2.50 Value F.I.P. Price <b>\$2.49</b>	<b>CURITY</b> Soft Puffs 260's \$1.64 Value F.I.P. Price <b>99c</b>	<b>SINE-AID</b> Tablets 24's \$3.10 Value F.I.P. Price <b>\$1.88</b>	<b>PLAYTEX</b> Living Gloves, Small, Medium or Large \$2.18 Value F.I.P. Price <b>\$1.13</b>	<b>TYLENOL</b> Extra Strength 500 mg. Capsules 100's \$7.97 Value F.I.P. Price <b>\$4.77</b>	<b>MEMOREX</b> Cassette Recording Tapes (60 minutes) MRX1C-60 \$2.15 ea. or <b>3/\$5.55</b>

**KRAUSS PHARMACY**  
124 E MAIN ST. MANCHESTER  
PHONE 428-8393

**BLACK SHEEP**  
REPERTORY THEATRE  
MANCHESTER

MAY 7-23

**Neil Simon's The Good Doctor**

FRI. SAT. 8:15  
SUN. 4:00

MAIN STREET, MANCHESTER  
(313)428-9280



### Kindergarten Round Up

Kindergarten Round-up will be held on Monday, May 24th for children who live in the village area currently served by the Middle School kindergarten and Friday, May 21st for the rest of the school district children who will be 5 by December 1, 1982. The children will meet with the Kindergarten teachers, have vision and hearing tests, and take a short bus ride. Parents should bring birth certificates and immunization records.

All children will not be given academic testing this year. For those parents who are unsure if their child is ready for Kindergarten a testing opportunity can be made on June 2nd.

There will be more information at a later date.

### Community Education

On Monday, May 10 thru Wednesday, May 12 the Washtenaw County Sheriff's Department, in conjunction with the Michigan Department of Natural Resources is again offering "Pleasure Boating" classes. The course is aimed for students 10 to 16 years of age, but is open to all interested community members. Those students, 12 to 16 years of age, who successfully complete the program will be awarded a Boating Safety Certificate, which enables them to operate a powerboat (5hp or greater) without adult supervision, and the Sheriff's Department will present them a wall certificate for framing.

Program instructions will include:  
-Michigan watercraft laws and regulations.  
-Familiarization with rules for the road and navigation aids.  
-Principles of safe small boat handling and seamanship.  
-Proper selection and maintenance of equipment.

### Senior Citizens Meals And News

Meals for persons 55 years or over are served at the dining hall in Emanuel United Church of Christ, 324 West Main Street in Manchester on Tuesdays and Thursdays at noon. The Manchester Area Senior Council sponsors the meals which are available to all Senior Citizens. Reservations should be made and information received by calling 428-8359 weekdays between the hours of 9 and 3.

The menu for Tuesday, May 11, is: Swiss Steak, Potatoes, Vegetable, Fruit, Bread and Butter, Dessert, Coffee, Tea and Milk. On Thursday, they are serving: Macaroni & Cheese with Ham, Vegetable, Fruit, Bread and Butter, Dessert, Coffee, Tea and Milk.

The Council will meet on Tuesday morning at 10:00 at the church meeting rooms. Exercise classes for Seniors are available also on Tuesday morning at 11:00. Following the noon meal, there will be euchre and other card games. On Thursday afternoons there will be crafts.

### Degree Recipients At Ferris College

Nearly 520 students are included on the list of those who completed the requirements for certificates, associate's, bachelor's and doctoral degrees at Ferris State College during the winter quarter.

The 516 winter graduates are eligible to participate in the official commencement ceremonies held on campus May 15, 1982. Mark Dresch, son of Mr. and Mrs. Armond Dresch, 220 Beaufort, Manchester will receive an Associate in Applied Science degree in Refrigeration, Heating & Air Conditioning.

Degrees awarded by the College are: doctor of optometry; bachelor of science; associate in arts; associate in applied art; associate in applied science; associate in science; and certificates in six areas of study.

Students graduating with honors are recognized for high academic achievement on the basis of grade point averages computed on a 4.00 equals A scale. Levels of recognition are: highest distinction, 3.75 to 4.00; high distinction, 3.50 to 3.74; and distinction, 3.25 to 3.49.

### Tuesday Singles

Come alone or come with a friend. Be our guest at the Tuesday Night Singles at the American Legion Hall, South Main Street, Ann Arbor on May 11th. Dance from 8:30-11:30 p.m. to the music of The Merrimen Band. Good time by all. Ballroom dance lessons will be from 7:30 to 8:30 p.m. before the regular dance. For more information call 482-5478.

### Senior Citizens Meals And News

Meals for persons 55 years or over are served at the dining hall in Emanuel United Church of Christ, 324 West Main Street in Manchester on Tuesdays and Thursdays at noon. The Manchester Area Senior Council sponsors the meals which are available to all Senior Citizens. Reservations should be made and information received by calling 428-8359 weekdays between the hours of 9 and 3.

The menu for Tuesday, May 11, is: Swiss Steak, Potatoes, Vegetable, Fruit, Bread and Butter, Dessert, Coffee, Tea and Milk. On Thursday, they are serving: Macaroni & Cheese with Ham, Vegetable, Fruit, Bread and Butter, Dessert, Coffee, Tea and Milk.

The Council will meet on Tuesday morning at 10:00 at the church meeting rooms. Exercise classes for Seniors are available also on Tuesday morning at 11:00. Following the noon meal, there will be euchre and other card games. On Thursday afternoons there will be crafts.

### Adult Life Problem Sharing Group

Adult Life Problem Sharing, an ongoing therapy group meets Monday evenings 7-9 p.m. at Saline Area Social Services, 131 E. Michigan Ave. Led by a counselor from Catholic Social Services, group members discuss common concerns including family, employment, and relationships. The group is open to men and women of all religious faiths and currently seeks new members. Fees are based on individual ability to pay. A counselor is also available in Saline for individual and family counseling from 2-7 p.m. each Monday. To make an appointment or for more information, call Catholic Social Services at 484-1280.

### EMU Holds Spring Commencement

Eastern Michigan University conferred degrees upon 1,327 students April 24, at spring commencement ceremonies held in Bowen Field House on the EMU campus.

Some 967 seniors were candidates for bachelor's degrees and approximately 360 graduate students were eligible to receive advanced degrees.

The commencement address was delivered by Dr. Leland B. Jacobs, an EMU alumnus and professor emeritus of education at Columbia University. Jacobs was awarded an honorary Doctor of Education degree by the University. Jacobs was cited as a "highly respected teacher, poet, author, pioneer in the field of children's literature and community leader whose warmth, humor and craftsmanship have impacted the thousands of teachers whom he trained."

Candidates for bachelor's degrees from Manchester include: Paul F. Heinrich, 17070 Mahrle, BS; Carol M. Miller, 236 S. Washington, BFA; Keith Moore, 10896 Pleasant Lake Rd., BBA; and Jeffery Lynn Wallace, 108 Macomb St., Box 244, BBA.

### School Lunch Menu

Thursday, May 6 - Hot Ham & Cheese Sandwich, Oven Brown Potato, Mixed Vegetables, Chilled Apricots & Milk.

Friday, May 7 - Crispy Fish Fillet, Tator Tots, Coleslaw, Roll/Butter, Cookie & Milk.

Monday, May 10 - Vegetable Soup with Crackers, Submarine Sandwich, Dill Pickles, Potatoes & Milk.

Tuesday, May 11 - Italian Spaghetti, French Bread/Butter, Buttered Corn, Pear Half & Milk.

Wednesday, May 12 - Hot Dog/Bun, Potato Chips, Carrot & Celery Stix, Fresh Fruit & Milk.

### School Board Minutes

REGULAR MEETING

April 19, 1982

The meeting was called to order by president, William Broucek at 8:05 P.M.

Members Present: DuFresne, Horning, Broucek, Mann, Bunney. Members Absent: Little, Talcott.

Communications: It was moved by Mann to receive and file the communication from the Freedom Township Board of Trustees regarding State Equalized Valuation. Supported by DuFresne. All years.

Visitor Input: Brian Schick, Middle School Principal, pointed out to the Board that a general meeting regarding Substance Abuse would be held at the Middle School gym, 7:30 P.M., Thursday, April 22, 1982.

Minutes of Previous Meeting: It was moved by Bunney to approve the minutes of the regular meeting of March 15, 1982, as presented. Supported by Mann. All years.

Financial Report: It was moved by DuFresne to approve the financial report showing a balance of \$1,548,506.79 as of March 31, 1982. Supported by Horning. All years.

Bills Payable: It was moved by Bunney to approve the bills payable in the amount of \$244,091.30. Supported by DuFresne. All years.

Discussion Items: (A) Graduation Requirements: After discussion it was moved by DuFresne, to

approve the modifications to the graduation requirements as recommended by the administration. The new graduation requirements are as follows: 9th grade: English 1 year, Math 1 year, Physical Education 1 semester, Health 1 semester, Social Studies 1 year; 10th Grade: English 1 year, Science 1 year, Physical Education 1 year; 11th Grade: English 1 year, U.S. History 1 year; 12th Grade: U.S. Government 1 year. Supported by Horning. All years.

(B) Personnel Items: Upon the recommendation of the Superintendent it was moved by Horning to extend a two (2) year contract, effective July 1, 1982 through June 30, 1984 to Dr. Janice Hammond for the position of Elementary Principal. Supported by DuFresne. All years.

At the request of the Superintendent the Board by consensus agreed to refer to the Executive Committee a review of his contract for recommendation to the full Board.

New Business: (A) Personnel Items: It was moved by DuFresne to place Mrs. Lynette Wanless on second year probation for the 1982-83 school year. Supported by Mann. All years.

It was moved by DuFresne to place Ms. Leslie Szubczak on second year probation for the 1982-83 school year. Supported by Bunney. All years.

It was moved by DuFresne to place Ms. Mary Beth Witherow on second year probation for the 1982-83 school year. Supported by Mann. All years.

It was moved by DuFresne to place Mr. Tim Strang on tenure status. Supported by

Mann. All years. It was moved by DuFresne to place Ms. Cynthia Swan on tenure status. Supported by Mann. All years.

It was moved by DuFresne to place Ms. Donna Vehar on tenure status. Supported by Horning. All years.

It was moved by DuFresne to place Mr. Matthew Willey on tenure status. Supported by Bunney. All years.

It was moved by Horning to place Ms. Karen Ellsworth on indefinite layoff status effective at the end of the current school year. Supported by Bunney. All years.

It was moved by DuFresne to place Ms. Leslie Szubczak on indefinite layoff status effective at the end of the current school year. Supported by Bunney. All years.

It was moved by Mann to place Mr. Matthew Willey on indefinite layoff status effective at the end of the current school year. Supported by Bunney. All years.

(B) Election Proposals: The following resolution was offered by DuFresne and supported by Horning. All members voted in favor.

MANCHESTER COMMUNITY SCHOOLS WASHTENAW AND JACKSON COUNTIES, MICHIGAN

A regular meeting of the board of education of the district was held in the Manchester High School, in the district on the 19th day of April, 1982, at Eight O'clock, P.M.

The meeting was called to order by William Broucek, President. Present Members: William Broucek, Paul DuFresne, Ron Mann, Earl Horning, William Bunney. Absent Members: David Little, Kent Talcott.

The following preamble and resolution were offered by Member Paul DuFresne and supported by member Earl Horning:

WHEREAS:

1. The annual school election will be held in the district on Monday, June 14, 1982 and

2. In the option of this Board it is necessary to expedient to erect, furnish and equip an addition or additions to, remodel and partially re-equip existing school facilities and improve sites; and

3. This Board estimates the necessary cost of the project to be One Million Four Hundred Thousand Dollars (\$1,400,000), all of which it will be necessary to borrow by issuing bonds of the district therefor.

THEREFORE, BE IT RESOLVED THAT:

1. The following shall be voted upon by the school electors on Monday, June 14, 1982:

a. Election of board members; b. Borrowing by issuing bonds of the district in the principal amount of \$1,400,000.

2. The following persons, all registered electors of the school district, are hereby appointed to compose the board of election inspectors for the annual school election to be held on Monday, June 14, 1982:

Irene Kemner, Penny L. Getty, Nancy G. Feldkamp, Mary T. Munson, Elizabeth Schiel, Margaret Carolyn Sauter, June L. Jenter.

3. The secretary is directed to give notice of election to the electors of the district by causing notice of annual election to be published in the Manchester Enterprise of Manchester, Michigan a newspaper of general circulation in the district, at least twice before the election date, which is Monday, June 14, 1982. The first publication is to be made on Thursday, June 3, 1982, and the second publication to be made on Thursday, June 10, 1982.

If deemed advisable by the secretary of the board, the secretary shall also give notice of election by causing notice to be posted in three (3) public places in each precinct in the district on or before Thursday, June 3, 1982.

The secretary is also directed to have proper ballots prepared and provided in sufficient quantity for the annual election, and do all things and provide all supplies necessary for the annual election, as required by law to be done.

4. The notice of the annual school election shall be in substantially the following form:

NOTICE OF ANNUAL ELECTION OF THE ELECTORS OF MANCHESTER COMMUNITY SCHOOLS WASHTENAW AND JACKSON COUNTIES, MICHIGAN TO BE HELD

JUNE 14, 1982

TO THE ELECTORS OF THE SCHOOL DISTRICT:

Please take Notice that the Annual Election of the School District will be held on Monday, June 14, 1982, in the Manchester High School Building, in the village of Manchester, Michigan.

THE POLLS OF ELECTION WILL OPEN AT 7:00 O'CLOCK, A.M., AND CLOSE AT 8:00 O'CLOCK P.M.

At the Annual School Election there will be elected two (2) members to the Board of Education of the district for full terms of four (4) years ending in 1986, and one (1) member to the Board of Education of the district for an unexpired term of one (1) year ending in 1983.

The following persons have been nominated to fill such vacancies: Four Year Terms: Earl Horning and Kent P. Talcott.

Continued on page 10

**Walts Heating & Cooling**  
24 HOUR SERVICE  
Walt Herodczky  
COMFORT AIR FURNACES  
A. O. SMITH WATER HEATERS  
WATER SOFTENERS  
FURNACES TUNING AND CLEANING  
PHONE 428-8645  
19824 Bethel Church Rd.  
Manchester, Mich.

**NORM WALZ CONSTRUCTION**  
Remodeling and Room Additions  
Garages—Porches  
CUSTOM BUILT CABINETS  
CUSTOM BUILT HOME ON YOUR IMPROVED LOT CAN SAVE YOU \$33333  
Phone 428-7109

**\*Featuring: HAND CRAFTED AMISH CABINETS\***  
**\*Distinctive CABINETRY By Fieldstone\***  
"Jenn-Air Appliances" "Delta Faucets" "Elkay & Kohler Sinks"  
VISIT OUR SHOWROOM  
**DUTCH COUNTRY KITCHENS**  
146 East Main Street Phone 428-7292 Manchester

**O. E. S. CARD PARTY**  
SATURDAY  
**MAY 8th**  
MASONIC TEMPLE  
PUBLIC INVITED

**GARDEN VIEW GREENHOUSE**  
5505 M-52  
7 Miles North of Manchester On M-52  
PHONE 475-2791  
NOW READY!  
Cabbage Seed Potatoes  
Head Lettuce Onions  
Flower and Bedding Plants  
Cauliflower

**NOW! FINANCE RATE ROLLBACK!**  
**12.8% ANNUAL PERCENTAGE RATE**  
**SAVE HUNDREDS OF DOLLARS IN FINANCING COSTS.**

EVERY NEW CHEVY CAR, LIGHT-DUTY TRUCK, AND VAN DELIVERED BY MAY 31 QUALIFIES!  
Here's the financing deal you've been waiting for. We are now offering financing at only 12.8% to qualified buyers. You can save hundreds of dollars in financing costs. All you have to do is take delivery by May 31, 1982. Hurry in and see us now for the Chevy of your choice.  
1982 Celebrity 4-Door  
Your Choice!  
now **344** Each  
Wholesale Supplies Last  
Each tool features a steel blade and fire-resistant ash handle that resists weather and wear. G04000  
A) Hoe, Tubular ferrule.  
B) Cultivator, Tubular ferrule.  
C) Shovel, With turned step.  
QUANTITIES LIMITED

Limited time offer! Hurry in for best selection at  
**Chevrolet**  
**Tirb Chevrolet Co.**  
131 ADRIAN STREET MANCHESTER, MICHIGAN  
PHONE 428-8212

**True Value**  
**TOOL VALUE OF THE MONTH**  
**TRUE TEMPER FLORAL TOOLS**  
Your Choice!  
now **3.44** Each  
Wholesale Supplies Last  
Each tool features a steel blade and fire-resistant ash handle that resists weather and wear. G04000  
A) Hoe, Tubular ferrule.  
B) Cultivator, Tubular ferrule.  
C) Shovel, With turned step.  
QUANTITIES LIMITED

**True Value**  
**HARDWARE VALUE OF THE MONTH**  
**BLUE POLY**  
Liquid or Paste  
now **5.88** Each  
Wholesale Supplies Last  
**ONE-STEP POLY SEALANT**  
Enough to clean, shine and seal 2 cars. Protects by bonding to metallic surface. Lasts 2 years or money back from Blue Coral® 16 oz.  
Quantities Limited

**True Value**  
**BARGAIN OF THE MONTH**  
**For Mothers' Day FISKARS 2-PIECE SCISSORS SET**  
8-in. Scissors  
**FREE!** 5-in. Snobby Scissors  
now **5.99** Each  
Wholesale Supplies Last  
2 pairs of incredibly light-weight, permanently-sharpened scissors at one low price. Contoured plastic handles add extra cutting comfort. 945191  
QUANTITIES LIMITED

**KLEINSCHMIDT HARDWARE**  
13870 Sharon Valley Rd. (Near Corner of M-52)  
**True Value** HARDWARE STORES  
PHONE 428-8337  
MONDAY THRU FRIDAY 8 AM-6 PM SATURDAY 8 AM-5 PM  
SUNDAY 11 AM-3 PM  
ACROSS FROM ANN ARBOR BANK AND TRUST

SAVE \$30 ON Installation **ON** NO CABLE NEEDED  
**TELEVISION** SPORTS  
MOVIES UNEDITED NO COMMERCIALS PLUS CONCERTS AND ENTERTAINMENT SPECIALS LIVE BOXING TIGER BASEBALL U of M & MSU SPORTS  
Call Now Ann Arbor 995-9188



**CLASSIFIEDS CLASSIFIEDS CLASSIFIEDS**  
**CLASSIFIEDS CLASSIFIEDS CLASSIFIEDS**  
**CLASSIFIEDS CLASSIFIEDS CLASSIFIEDS**  
**CLASSIFIEDS CLASSIFIEDS CLASSIFIEDS**

All classified advertising is payable in advance. All ads must be PLACED and PAID for prior to 11 AM on Tuesday for publication that week.  
 Effective February 1, 1981, Classifieds \$1.50 for first 20 words. 5c a word thereafter. Thank you's \$3 minimum up to 50 words.

**LAWN MOWER & SMALL ENGINE**  
 Repair service. Pickup and deliver service available. Manchester Engine. Located in rear of Ross Automotive. Call 428-7965. tfn

**TAILORING BY IRENE**  
 Specializing in mens and womens custom tailoring and alterations, also leather and fur. 13910 Sheridan Road, Manchester. 428-8538. tfn

**CHELSEA GREENHOUSES, 7010**  
 Lingane Road, Chelsea, Michigan 475-1853-54 or 475-9313. Flowers and plants for every occasion. We specialize in wedding flowers to fit your budget. We are as near as your phone and we welcome your business. tfn

**WHOLESALE VITAMINS AND HERBS,**  
 428-9122 tfn

**C & B PAINTING - Interior, Exterior.**  
 Free Estimates. Contact Charles E. Benedict. Phone 428-7136 or 428-7416. tfn

**BEEF TO SELL BY SIDE**  
 Custom slaughtering. Lockers to rent. Phone 428-7690. Manchester Locker Plant. tfn

**ALUMINUM EAVESTROUGH**  
 Seamless, white, black and brown, guaranteed. Free estimates. Walkome Home Improvement Company. Phone (313) 428-8468. tfn

**LITTLE WACK EXCAVATING**  
 Licensed & Insured  
 Basements - Drainfields - Bulldozing - Digging - Snow Removal - Tree Removal. Paul Wackenhut, Phone (313) 428-8025. tfn

**PIANO TUNING AND REPAIR - qualified**  
 technician. Ron Harris 475-7134. tfn

**GERALD AHRENS CONSTRUCTION**  
 Additions, Decks, Renovations, Repair, Finish Work. Free Estimates. Phone 428-8807. tfn

**LAND CONTRACTS PURCHASED - Any**  
 Size - Any Property Type, Courteous and Reliable Service. Call Stan Hentkowski, Huron Valley Creative Financing Services. (313) 668-8595. tfn

**GARDEN & LAWN plowing, rototilling**  
 and grading. 428-7005. 5-20

**SUMMER YOUTH EMPLOYMENT PROGRAM**  
**STAFF POSITIONS**

The Washtenaw County Employment and Training Program is now accepting applications for staff positions in the Summer Youth Employment Program:  
 \* Summer Program Coordinator  
 \* Youth Compliance Technician  
 \* Youth Program Counselor  
 \* Clerk Typist II  
 Applications may be completed at the Washtenaw County Employment and Training Program, 120 E. Catherine, Ann Arbor, MI 48107.  
 An Equal Opportunity Employer 5-6

**FOR RENT - Spacious, modern 1 bedroom**  
 apartment in Manchester. Edge of town. Peaceful country setting. Washer and dryer, air conditioner, dishwasher and garbage disposal. Only \$270 per month. Call 517-423-3629. 5-6

**NURSING CARE IN YOUR HOME - If**  
 you have a loved one that needs care in their home or your home, call "Nadine" 517-456-4912. 5-13p

**HOME LAWN SERVICE - Spring cleanup**  
 and summer lawn mowing, seasonal contract or by the hour, home or commercial lawns. reasonable rates. 428-8000. 5-6

**IF YOU'RE READY to spend a LITTLE**  
 money, we can save you a LOT of money. See us for energy saving ideas at Manchester Electric 428-8243 days, 428-8776 nights. tfn

**PART TIME - FULL TIME excellent**  
 earnings, selling Kodak film. Phone Jackson 517-784-3178. tfn

**TWO BEDROOM APARTMENT for rent**  
 in Manchester. Features modern kitchen with appliances and fireplace. Call 428-9380. tfn

**MOTHER OF TWO would like to babysit**  
 for your children in her home. Call 428-7378. tfn

**BLACK DIRT AND PEAT for sale, tested**  
 and proven excellent for lawns, gardens and flower beds. 6 yards delivered \$40.00. Phone 428-7784. tfn

**WANTED - Standing Hay, Cash Paid In**  
 Advance. 517-764-0700. tfn

**HARTMANN CARPENTRY**  
 Licensed Builder serving Manchester with 14 years experience in Home Building, roofing, siding, decks, remodeling, garages and pole barns. Call Jim 313-475-9301 or Dan 517-456-4305. tfn

**FIELDER PAINTING - Interior and**  
 Exterior, Free Estimates. (313) 428-8506. 6-10p

**MANCHESTER ENGINE**  
 Complete Machine Service on all types of engines, headwork, drums, rotors, engine rebuilding, etc. 428-7985 tfn

**AVON - Need that spring feeling? Make**  
 good money with Avon. Work your own hours. Manchester and Manchester township now open. Interested? Call Betty White 428-8181. 5-6p

**WANTED - Distributor for Rawleigh**  
 Products in Manchester area. Call Mr. Haynes, 437-0018 or 425-5134. 5-6

**FREE TO GOOD HOME 5 month old**  
 German shorthair, mixed with Collie, housebroken. Call 428-8256. 5-6

**GARAGE SALE - Thursday, May 6, 9 to 6;**  
 Friday, May 7, 9 to 6 and Saturday, May 8, 9 to 4. 825 E. Main Street. Linda McGee. 5-6p

**BUYING standing hardwood timber of all**  
 kinds. Phone days 517-876-3099; evenings 313-498-2561. tfn

**LIGHTNING RODS**  
 "If it is out of reach, call Beach". Beach Contracting, Saline 429-5994.

**SHARPENING SERVICE**  
 Don't get caught with a dull mower blade this year, have it sharpened and balanced, your lawn will thank you. Bring in your hand saws, circular saws, saw chains, knives, scissors, pinking shears, hair clippers, etc. to Kleinschmidt's True Value Hardware, 19860 Sharon Valley Road, Manchester. You'll be glad you did. tfn

**FIREWOOD - Semi loads or partial loads**  
 4 ft. x 4 ft. by 100' cords. Mixed hardwood. Please call 428-8578. 5-27

**HAY FOR SALE - First or second cutting**  
 Alfalfa. Please call 428-8578. 5-27

**SMALL SALARY PLUS FANTASTIC COMMISSIONS**  
 We will train you to go door to door and take orders for subscription T.V. You must have your own reliable transportation and be available immediately. This is a fulltime career opportunity with management possibilities. Apply M-F at 2 p.m. at 10910 Farmington Rd., Livonia, Michigan (1 block south of Plymouth Rd. in Shelton Shopping Center) 5-27

**MICHIGAN CERTIFIED SEED**  
 2 varieties soy been seed \$9 a bushel. Hodgson 78, Nebsoy, Brablec Farms, Britton, Michigan 49229, 517-451-4010 - 423-5663. Prices subject to change without notice. 5-27

**SUMMER JOB - Babysitter needed for two**  
 children 5 and 7 years. Ideal for high schooler or college student. Full or part time. In our home in town. 428-7398. 5-13p

**FOR SALE - 2 1/4" Western Mag's \$35 ea.**  
 Cedar fence posts \$1 ea. 428-8304. Call between 8 and 5. 5-13

**EFFICIENCY APARTMENT FOR RENT**  
 Prefer adult over 35. 428-7937 5-13

**FOR SALE - Grumman Canoe 18 ft. Well**  
 cared for. 428-7937. 5-13

**GARAGE SALE - Innumerable Treasures,**  
 May 7 and 8, 8:00 a.m. - 5:00 p.m., 8932 Manchester-Chelsea Rd. p

**GARAGE SALE - May 7 and 8, 10-4, 12545**  
 Bethel Church Rd., 3 miles east of M52. p

**YARD SALE - 419 City Rd., Friday and**  
 Saturday, May 7 and 8, 9:00 - 6:00. p

**SCHEBOR'S GREENHOUSE 14345 Logan**  
 Road, Manchester. Hours: 9 to 6 daily. 428-8078. Bedding Plants, Vegetable Plants, Cacti and many other flowering plants. Mother's Day baskets and combination pots. p

**BAKE SALE - pies, bread, candy, cake,**  
 donuts, pretzels. Sponsored by the 1983 Senior Trip Club, Saturday, May 8 at NBJ Bank from 9 to noon. p

**GARAGE SALE FOR LIBRARY RENOVATION**  
 sponsored by Friends of the Manchester Township Library, Saturday, May 15, 10 a.m. to 1 p.m. at Farmers Market location. Pick up a tax deduction and donate your unwanted items toward this worthy cause. Donations should be prepriced and should be brought to the Farmers Market between 8 a.m. and 10 a.m. that morning. Clothing is restricted to children's wear. Limited pick-up service available by calling 428-8451. Donors desiring a receipt for taxes should bring a listing of items donated. 5-13p

**RUMMAGE SALE - 14525 Bethel Church**  
 Rd., Saturday and Sunday, May 8 and 9, 9-4. p

**GARAGE SALE - 19655 Bethel Church**  
 Road, Saturday only, May 8, 10 a.m. to 4 p.m. West of M52, second house. Baby clothes, furniture, sewing machine, dishes, antiques, old German books, misc. p

**'80 SUBRAU' BRAT, 4 wheel drive, with**  
 cap, 27 to 30 mph, 21000 miles, \$4900 or best offer. 428-7323. p

**Legal Notices**

The Washtenaw County Employment and Training Program announces the availability of a Request for Proposal for summer youth employment and training programs for Summer, 1982 to be funded under the Comprehensive Employment and Training Act (CETA). Completed proposals are due in the Washtenaw County Employment and Training office by 5:00 p.m. on May 13, 1982. Interested parties may obtain a copy of the Request for Proposal at the Washtenaw County Employment and Training Office, 120 E. Catherine Street, Ann Arbor, Michigan 48107. Queries should be directed to the attention of Sally Von Breton, Program Planner, at 996-3049. 5-8-82

**STATE OF MICHIGAN BEFORE THE FREEDOM TOWNSHIP BOARD**

IN THE MATTER OF "AURA INN" 11275 Pleasant Lake Road Manchester, Michigan 48158

NOTICE OF HEARING CONCERNING RENEWAL OF LICENSE TO SERVE ALCOHOLIC BEVERAGES AND PROVIDE ENTERTAINMENT

TAKE NOTICE that the Freedom Township Board will hold a public hearing on the 10 day of May, 1982, at 8:00 p.m. o'clock in the evening, and from time to time thereafter until concluded, on the matter of the application for renewal of the license issued by the Michigan Liquor Control Commission to "Aura Inn", at 11275 Pleasant Lake Road, Manchester, Michigan 48158, to serve alcoholic beverages and provide entertainment. The hearing will be held in the Freedom Township Hall, 11508 Pleasant Lake Road, Manchester, Michigan 48158. All interested parties will be heard. 5-6-82

RENA L. GIRBACH Freedom Township Clerk 11508 Pleasant Lake Road Manchester, Michigan 48158 Dated: April 13, 1982 5-6-82

**STATE OF MICHIGAN IN THE CIRCUIT COURT FOR THE COUNTY OF WASHTENAW**

PHYLLIS BROWN, Plaintiff, vs CHARLES E. BROWN, Defendant Case No. 82-29155-DM

ORDER TO ANSWER At a session of said Court held in the City of Ann Arbor, County of Washtenaw, State of Michigan on April 5, 1982, PRESENT: HONORABLE Edward D. Drake. On April 2, 1982, an action was filed by PHYLLIS BROWN, plaintiff, against CHARLES E. BROWN, defendant, in this court for divorce. IT IS HEREBY ORDERED that the defendant, CHARLES E. BROWN, shall answer or take such other action as may be permitted by law on or before July 2, 1982. Failure to comply with this order will result in a judgment by default against such defendant for the relief demanded in the complaint filed in this court.

Prepared by: WASHTEAW LEGAL CENTER, P.C. Attorneys for Plaintiff By: A. Fanta (P29540) 4647 Washtenaw Ann Arbor, MI 48104 434-3800 5-13

**ask us!**

To show you our great selection of personalized writing stationery. It makes a perfect gift, or treat yourself! You'll be delighted with the variety of designs in every price range.

**THE MANCHESTER ENTERPRISE**  
 PHONE 428-8173

150 EAST MAIN ST. MANCHESTER, MICHIGAN

**KUKINI TRAVEL AGENCY CAN.....**

Obtain the best Airline Fare  
 Make your Hotel Reservations  
 Help Figure out and Set Foreign currency  
 Custom design a Special Trip  
 Explain AP, MAP and EP  
 Reserve a Rental Car for you  
 Send you on an Air-Sea Cruise  
 Arrange your Sightseeing Trips  
 Guide you through Customs  
 Issue Boarding Passes  
 American Airlines Fully Automated  
 Computerized Agency  
 Serving the Area since 1964

**Kukini Travel Agency**

109 E. Chicago Blvd. Tecumseh, Michigan Phone 517-423-6651

**Hospice Of Washtenaw**

of Washtenaw. Professional and lay volunteers give of their time and skills to help make the Hospice program a reality in Washtenaw County. Volunteers participate on the Direct Care teams to provide counseling, emotional support or practical assistance and information. Volunteers also work on handbooks, the newsletter, the Speaker's Bureau and several other tasks that are important to the development of hospice. Hospice has found that its support services can be very important to terminally ill patients like Ben and Tod and their families. Hospice believes that strong community support is required to make the hospice work. Volunteer assistance from the community of Washtenaw County will help the program develop and achieve its goals. If you would like more information on Hospice of Washtenaw or on how you can help to further this important work, please call the Hospice office at 995-1995.

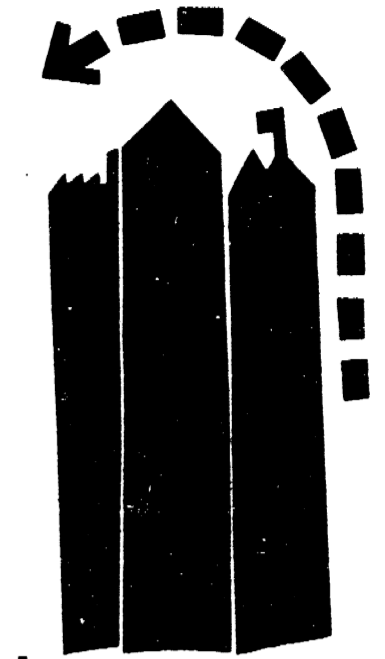
**Degree Candidates**

University of Michigan students who expect their degrees this spring attended the University's commencement ceremonies May 1. More than 6,000 students on the Ann Arbor campus are degree candidates this spring.

Degree Candidates from Manchester are Stephen Chapman, 11590 Pleasant Lake Road with a Master of Business Administration degree and Susan John, 10300 Sharon Hollow Rd. with a Bachelor of Arts degree. Michigan Gov. William G. Milliken, was the commencement speaker.

**VA Medical Center Offers Program On Heart Disease**

According to the American Heart Association, there are over 630,000 deaths in the United States from heart attack each year, and many thousands of them among persons in the prime of life. Health factors influencing heart disease include such things as high blood pressure, high levels of cholesterol, overweight, diabetes, lack of exercise, smoking, and a family history of heart disease. It appears that any of these habits, called risk factors, increases the chances of a heart attack, and that a combination of two or more factors multiplies the risk. There is evidence to suggest that the living habits of millions of Americans are endangering their hearts at a relatively early age. During National Hospital Week, the Ann Arbor Veterans Administration Medical Center is sponsoring a special program for



**be superperson use your library**

**Chelsea Hospital Free Blood Pressure Clinics**

May is National High Blood Pressure Month. As part of a nationwide focus on high blood pressure, Chelsea Community Hospital will be having free blood pressure screenings at: Chelsea Community Hospital Emergency Room on Tuesday, May 4, 11, 18, 25 from 9 a.m. to 10:30 a.m. and Thursday, May 6, 13, 20, 27 from 7 p.m. to 8:00 p.m.; Manchester Medical Center on Wednesday, May 5, 12, 19, 26, from 10:00 a.m. - noon; and Dr. Virginia Johnson and Dr. Monty Okey's Office, Clinton, Michigan, Tuesday, May 4, 11, 18, 25 from 10:00 a.m. - noon. Here's a quiz for people with high blood pressure. Ask yourself: how high is my blood pressure now? How much lower should it be? What do I have to do to bring it down to that lower level? If you knew the answers to all three questions, then you and your doctor have a good partnership going. You already know what part you play in controlling your pressure and how to keep track of your progress. If you couldn't answer all three questions, visit your doctor or health clinic as soon as possible. Ask these and other questions you may have about your blood pressure. Keeping track of your blood pressure treatment should be important to you. Treat it for life. For more information about activities Chelsea Community Hospital is offering, contact Julie Say, R.D., Community Nutritionist at (313) 475-1311, Extension 369 or Joanne Warner-Handelman, R.N., Associate Director of Nursing at (313) 475-1311, Extension 368.



The rate of energy consumption in the U.S. slowed during the 1970's.

**Die Bauernstube**

SERVING GERMAN-AMERICAN CUISINE IN A MOST AUTHENTIC ATMOSPHERE

223 EAST MAIN ST. MANCHESTER, MICH. PHONE 313-428-8698

**FOR A MOTHER'S DAY SPECIAL**

**We Feature Our Own Baked Chicken**

WITH ALL THE TRIMMINGS

**\$5.95**

INCLUDING SALAD BAR AND SPECIAL DESSERT FREE WITH EVERY MEAL

NOON WEDNESDAYS **SALAD BAR** \$2.95

**Bar-B-Que Spare Ribs** ALL DAY THURSDAYS **Lunch \$3.30 Dinner \$5.95**

**Friday Night FISH FRY** ALL YOU CAN EAT **\$4.95**

**BOTTOM OF THE HILL**  
 Happy Hour Every Day-3:30-5

**EVERYDAY LOW POP PRICES**

<b>DR. PEPPER</b> 99c 6 PACK PLUS DEPOSIT	<b>FAYGO</b> REGULAR & DIET FLAVORS \$1.89 1/2 LITERS - 8 PACK \$1.19 2 LITERS PLUS DEPOSIT
<b>SUGAR FREE DR. PEPPER</b> \$1.89 1/2 LITERS - 8 PACK PLUS DEPOSIT	<b>SQUIRT, DIET SQUIRT</b> \$1.89 8 PACK \$1.29 2 LITERS \$1.89 CANS 6 pack PLUS DEPOSIT
<b>VERNORS, ONE CAL VERNORS</b> A & W ROOT BEER & SUGAR FREE \$1.99 1/2 LITERS - 8 PACK \$1.29 2 LITERS PLUS DEPOSIT	<b>COKE, SPRITE, FRESCA, TAB</b> MELLO YELLO, SUGAR FREE SPRITE \$1.89 1/2 LITERS - 6 PACK \$1.19 2 LITERS \$1.89 CANS 6 PACK PLUS DEPOSIT
<b>PEPSI, DIET PEPSI</b> MOUNTAIN DEW, PEPSI LIGHT \$1.89 1/2 LITERS - 8 PACK \$1.19 2 LITERS \$2.19 CANS 8 PACK \$3.29 CANS 12 PACK PLUS DEPOSIT	<b>WE HAVE HOT COFFEE, SANDWICHES, MILK, ICE CREAM</b> GROCERY ITEMS, CANDY, KITES, HATS, SNACKS, ETC.

Jobber PH. 428-8366  
**G.E. Wacker Inc.**  
 Products

GASOLINE • FUEL OIL • MOTOR OIL • DIESEL FUEL • GREASE  
 9050 CHELSEA - MANCHESTER RD. MANCHESTER, MICHIGAN 48158



### School Board Minutes

One Year Term: Thomas G. Golding and JoAnn King Okay.

TAKE FURTHER NOTICE THAT THE FOLLOWING proposition will be submitted to the vote of the electors at the Annual School Election:

**I. Bonding Proposition**  
Shall Manchester Community Schools, Washtenaw and Jackson Counties, Michigan, borrow the sum of not to exceed One Million Four Hundred Thousand Dollars (\$1,400,000) and issue its general obligation unlimited tax bonds therefor, for the purpose of erecting, finishing and equipping an addition or additions to, remodeling and partially re-equipping existing school facilities and improving sites?

PLEASE TAKE FURTHER NOTICE THAT THE BONDS OF THE SCHOOL DISTRICT, IF APPROVED BY A MAJORITY VOTE OF THE ELECTORS AT THIS ELECTION, WILL BE GENERAL OBLIGATION UNLIMITED TAX BONDS PAYABLE FROM GENERAL AD VALOREM TAXES, SAID BONDS TO MATURE OVER A PERIOD OF APPROXIMATELY TWENTY (20) YEARS.

All school electors who are registered with the city or township clerk of the city or township in which they reside are eligible to vote at this election.

I, Michael A. Stimpson, Treasurer of Washtenaw County, Michigan, hereby certify that as of March 1, 1982, the records of this office indicate that the total of all voted increases over and above the tax limitation established by the Constitution of Michigan, in any local units of government affecting the taxable property located in Manchester Community Schools, Washtenaw and Jackson Counties, Michigan is as follows: By Washtenaw County: 0.040674 1968 - 1982. 0.25 1982 thru 1985. 0.25 1982 & Future.

By Manchester Township: 1.25 Mills 1982 thru 1995. .50 Mill 1982 thru 1988.

By Bridgewater Township: None.  
By Sharon Township: None.  
By Freedom Township: None.  
By the School District: 17.78 mills, 1982 only. 1 mill 1982 only.

Signed,

Michael A. Stimpson, Treasurer  
Washtenaw County, Michigan

**ADDENDUM**  
PLEASE TAKE FURTHER NOTICE that the Intermediate School Board of Washtenaw Intermediate School District, Michigan has resolved to submit the following proposition on the same day as the annual school election:

**WASHTENAW INTERMEDIATE SCHOOL DISTRICT SPECIAL EDUCATION MILLAGE INCREASE QUESTION**  
Shall the one and one-half (1 1/2) mill limitation on the annual property tax previously approved by the electors of the Washtenaw Intermediate School District, State of Michigan, for the education of handicapped persons be increased by one-half (1/2) mill?

All those who reside within the intermediate school district must be registered with the appropriate township or city clerk by 5:00 o'clock, p.m., of Monday, May 17, 1982 in order to be eligible to vote.

THIS NOTICE IS GIVEN BY ORDER OF THE BOARD OF EDUCATION.

/s/ Paul DuFresne  
Secretary, Board of Education

5. The proposition to be voted on at the annual school election shall be stated on the ballots in substantially the manner appearing in the foregoing notice.

6. This board estimates the period of usefulness of the improvements for which bonds of the district in the amount of One Million Four Hundred Thousand Dollars (\$1,400,000) are to be issued to be not less than thirty (30) years.

7. All resolutions and parts of resolutions insofar as they conflict with the provisions of this resolution be and the same are hereby rescinded.

Ayes: William Broucek, Paul DuFresne, Ronald Mann, William Bunney, Earl

Horning. Nays: None. Motion declared adopted.

Paul DuFresne, Secretary  
Board of Education

**Old Business:**  
A: Board Policies Series 6,000 & 8,000.

After discussion it was moved by DuFresne and supported by Horning to adopt policies dealing with the following topics: Instruction Philosophy, Fire Drills, Fire Safety Regulations for Social Events, Classroom Assignments-Parent Request, Coeducational Physical Education Programs, Curriculum, Alternative Programs, Release for Religious Instruction, Freedom of School Government from Partisan Affairs, Controversial Issues, Lesson Plans, Text Books, Recreation Continuing & Community Education. Policy 6154 dealing with homework was tabled. All years.

It was moved by Horning and supported by Bunney to adopt the following policies in the 8,000 series: Purposes Powers and Responsibilities of the Board, Formulation of Policies, Role of the Board, Committees, Public Meetings-Conduct of Business. All years.

**Adjournment:**  
It was moved by Bunney to adjourn the meeting at 9:45 P.M., supported by Mann. All years.

#### SPECIAL MEETING

April 26, 1982

The meeting was called to order by President William Broucek at 8:09 P.M. Members Present: Horning, Broucek, Mann, Bunney, Little. Members Absent: DuFresne, Talcott.

**High School Roof Bids:** Dr. Thompson presented the 4 bids which had been received for approximately 15,000 square feet of the high school roof. The low bid was from the Holt Roofing Company of

Toledo, Ohio for a Firestone Rubber Roof System at \$2.25 per sq. ft. It was moved by Little to award the bid for approximately 15,000 sq. ft. of roof at the high school to the Holt Roofing Company, Inc., of Toledo, Ohio for a total cost of \$33,800. Supported by Horning. All years.

Dr. Thompson recommended that the Board move into Executive Session to discuss WLEA/MEA negotiations with Ms. Rita Thomas from MASH. It was moved by Horning to move the meeting into Executive Session for the purpose of discussing negotiations. Supported by Bunney. All years. Time: 8:20 P.M.

It was moved by Little to conclude the Executive Session at 10:40 P.M. Supported by Mann. All years.

**Board Issue Campaign:** After discussion it was concluded that the campaign should be less formal than previously conducted and that the emphasis be upon placing the basic issues before the voters. Dr. Thompson indicated that he would be in contact with the leaders of PACE and would attempt to schedule speaking engagements before key groups in the community.

It was moved by Horning to adjourn the meeting at 11:00 P.M. Supported by Mann. All years.

Respectfully Submitted,  
Eugene W. Thompson, Ed.D.  
Acting Secretary  
Board of Education

### 8th Grade Class Trip

There will be a meeting on May 6th, 8:00 p.m. at the Middle School gym for those going to Toronto. Parents, students and chaperons MUST attend. We will be passing out the baggage tags and final instructions for going. The chaperons will meet immediately following.

give the most wanted gifts

**DAISIES \$6.00 Bunch**

**for MOTHER'S DAY!**

**FRESH ARRANGEMENTS \$12.00 and Up**

**CORSAGES \$3.00 and Up**

**DISH GARDENS \$8.00 and Up**

**FLOWERING PLANTS \$9.00 and Up**

**SILK ARRANGEMENTS \$12.00 and Up**

**ORDER EARLY**

The Flower Garden  
FLOWERS FOR ALL OCCASIONS  
138 EAST MAIN STREET  
MANCHESTER, MICHIGAN  
PHONE 428-7422  
If No Answer Call 428-8583

**Fahey Realty**

215 East Main St. Phone 428-9298 Manchester, Michigan  
OFFICE HOURS 9-5 MONDAY THRU FRIDAY SATURDAY 9-12 NOON

Lovely hilltop setting for maintenance free 3 bedroom ranch. 34 rolling acres includes 8 acres of woodland. Beautiful views of Bridgewater Township, 1 1/2 miles East of Manchester on paved road.

Reduced-4 bedrooms, attached garage, screened porch. Home has been insulated, gas heat, full basement. Land contract terms \$36,000.

New Listing-3 bedroom bungalow convenient location to elementary school yet country atmosphere. Land contract terms. \$49,900.

Spacious 2000 sq. ft. village home, remodeled kitchen, large master bedroom, 2 baths, 2 car attached garage. Excellent location of schools and shopping. Good terms \$59,500.

Reduced-\$42,900. 2 bedroom ranch on 5 acres with tall pines, quiet country setting. New gas furnace with wood burner, new roof, one car garage.

Solid older home with many possibilities. 4 bedrooms, good starter home, convenient location. \$30,500.

**CLINTON THEATRE**

**Friday & Saturday 7:30 & 9:40**  
**Sunday 7:30**  
**All Seats \$2.00**

**missing.**  
BASED ON A TRUE STORY.  
UNIVERSAL PICTURES and POLYGRAM PICTURES Present  
**JACK LEMMON • SISSY SPACEK**  
AN EDWARD LEWIS PRODUCTION A COSTA-GARAS FILM  
"MISSING" Starring MELANIE MARROW • JOHN SHEA  
Screenplay by COSTA-GARAS & DONALD STEWART  
Based on the book by THOMAS HAUSER Music by VANGELIS  
PG PARENTAL STRONG CAUTION SUGGESTED  
SOME MATERIAL MAY BE INAPPROPRIATE FOR CHILDREN  
© 1982 UNIVERSAL CITY STUDIOS, INC.

**—ATTENTION—**

**FARMOWNERS & HOMEOWNERS**

SUTTON AGENCY, INC. IS EXPANDING ITS FARMOWNERS AND HOMEOWNERS FACILITIES. WE REPRESENT ONE OF THE LEADING FARM INSURANCE COMPANIES IN MICHIGAN AND WILL HAVE A REPRESENTATIVE AND FULL TIME ADJUSTING SERVICE IN THE AREA AT ALL TIMES.

IF YOU NOW HAVE A FARMOWNERS OR HOMEOWNERS INSURANCE POLICY AND WOULD LIKE US TO GO OVER YOUR COVERAGES TO SEE THAT YOU ARE TAKING FULL ADVANTAGE OF THE EXPERIENCE CREDITS AND OTHER CREDITS AVAILABLE TO YOU, PLEASE CALL COLLECT 428-7217.

AGENTS  
DONALD K. SUTTON  
CONNIE WIDMAYER  
SOLICITOR  
HUGH R. SUTTON

## MANCHESTER AREA CHURCH DIRECTORY

**EMANUEL UNITED CHURCH OF CHRIST**  
Rev. Robert Macfarlane, Pastor  
1045 S. Main St.  
Worship 10:30 a.m.

**HARON UNITED METHODIST**  
Rev. Ronald L. Iis, Pastor  
1045 S. Main St.  
Worship 10:30 a.m.

**THOMAS LUTHERAN**  
Rev. Paul Puffe, Pastor  
1045 S. Main St.  
Worship 10:30 a.m.

**JOHN'S LUTHERAN CHURCH OF CHRIST**  
Rev. Gary Kwiatek, Pastor  
1045 S. Main St.  
Worship 10:30 a.m.

**BETHEL UNITED CHURCH OF CHRIST**  
Rev. Roman A. Reinick, Pastor  
1045 S. Main St.  
Worship 10:30 a.m.

**MANCHESTER UNITED METHODIST**  
Rev. Thomas E. Hart, Pastor  
1045 S. Main St.  
Worship 10:30 a.m.

**ST. MARY'S CATHOLIC CHURCH**  
Father Raymond Schlinkert  
Monday thru Friday 8:30 a.m., Saturday 5:00 p.m.  
Sunday 8:30 a.m. and 10:30 a.m.

**NORTH SHARON COMMUNITY BIBLE**  
Bill Ensten, Pastor  
1045 S. Main St.  
Worship 10:30 a.m.

**FAITH COMMUNITY CHURCH**  
Timothy Miles, Pastor  
8400 Sharon Ho'low Rd. off W. Austin Rd.  
Worship 10:30 a.m.

**OUR SAVIOR LUTHERAN CHURCH**  
Rev. Franklin H. Gabel, Pastor  
1515 S. Main, Chelsea  
Sunday School and Bible Class 9:00 a.m.  
Sunday Worship Service 10:30 a.m.

**ZION LUTHERAN CHURCH**  
Wednesday, May 5, Women of Zion Circles - 1:30 p.m. Lydia and 7:45 p.m. Martha. "How can I be sure of the truth" Study of James. 8:18-18.

Thursday, May 6, VBS Craft Center workshop 8 p.m.

Friday, May 7, Camp Workshop. Pastor to TW 9 a.m. "Square & Fellowship" 7:30 p.m.

Saturday, May 8, Youth Instruction 9 a.m. (testing) 1:30 p.m. Sr. Citizens.

Sunday, May 9, Mother's Day 9 a.m. Sunday School. 10:15 a.m. Family Day Worship.

Monday, May 10, Seminar & Clergy Day at St. Joseph Hospital 9 a.m.

Tuesday, May 11, Chelsea Ministers 11 a.m. St. Mary. 4 p.m. Joymakers. 7:15 p.m. Sr. Choir.

**IRON CREEK COMMUNITY CHURCH**  
Rev. Paul Runyon, Pastor  
English and Sharon Hollow Roads.  
Worship Service 10:00 a.m.  
Sunday School 11:15 a.m.  
Evening Service 7:30 p.m.  
Wednesday Prayer Meeting 7:30 p.m.

**ZION LUTHERAN CHURCH**  
Rev. John R. Morris, Pastor  
3050 S. Fletcher Road  
Sunday School 9:00 a.m.  
Family Worship 10:15 a.m.

**ST. JOHN'S LUTHERAN CHURCH**  
Rev. Dennis A. Falk, Pastor  
Austin Road, Bridgewater  
Sunday School 9:15 a.m. Worship 10:30 a.m.

**VICTORY BAPTIST**  
Dr. Clare Gleason, Pastor  
12500 Allen Rd., Clinton (corner of Allen Rd. and Manchester-Clinton Rd.)  
Sunday School 9:45 a.m.  
Morning Worship 11:00 a.m.  
Adult Doctrine Class, Teen Time and Jr. Astronauts at 5:30 p.m.  
Evening Worship 6:30 p.m.  
Wednesday Prayer Meeting 7:30 p.m.

**CLINTON ASSEMBLY OF GOD**  
Charles Sanders, Pastor  
12500 Allen Rd., Clinton (corner of Allen Rd. and Manchester-Clinton Rd.)  
Sunday School 9:45 a.m.  
Morning Worship 11:00 a.m.  
Evening Service 6:30 p.m.

**CHURCH OF JESUS CHRIST OF LATTER-DAY SAINTS (MORMONS)**  
Thomas E. Schulle, Branch President  
Rebekah Hall, M52, Chelsea  
Sacrament 9:30 a.m.  
Sunday School, Primary 10:50 a.m.  
Priesthood, Relief Society, Aaronic Priesthood youth 11:40 a.m.

**ST. BARNABAS EPISCOPAL CHURCH**  
Rev. Jeffrey F. Beaumont, Vicar  
12500 Allen Rd., Chelsea  
10:00 a.m. Holy Eucharist and Morning Prayer

**BAHAI FAITH**  
Scripture study and fellowship 2nd and 4th Fridays every month, 8:30 p.m. at the home of Thomas and Nancy Rykwalder, 611 S. Macomb, 428-9454. Believers of all faiths welcome.

**FAITH COMMUNITY CHURCH**  
Thursday, May 6, 7:30 p.m. Faith Circle at the church.

Saturday, May 8, 6:30 p.m. Mother and Daughter Banquet at the church.

Sunday, May 9, Worship Service 10 a.m. Nursery care and Jr. Church available. 11:15 a.m. Sunday School for all ages. 6:00 Evening Service. 7 p.m. Jr. High and Young Peoples Group.

Wednesday, May 12, 7 p.m. Prayer Hour and Bible Study. 8 p.m. Choir practice.

**SHARON UNITED METHODIST CHURCH**  
Wednesday, May 5, 8 p.m. Council on Ministries.

Thursday, May 6, 6:30 p.m. Mother and Daughter Banquet. Pot Luck Dinner: program by quartet, Top Priority.

Saturday, May 8, 9-1 Church Women United Rummage Sale at Emanuel Church.

Wednesday, May 12, 8 p.m. Chancel Choir practice.

Wednesday, May 5, 6:30 p.m. Mother-Daughter Banquet.  
Friday, May 7, 1:30 p.m. May Fellowship Day - Sharon United Methodist Church.  
Saturday, May 8, 9:00 a.m.-4:00 p.m. Senior Youth Fellowship-Good-Deed-A-Thon.  
Sunday, May 9, 10:00 a.m. Worship Service - Mother's Day.  
Tuesday, May 11, 7:30 p.m. Board of Christian Education. 7:30 p.m. New Initiatives Committee.  
WEEKLY MEETINGS  
Sunday: 11:00 a.m. Church School classes meet.  
Wednesday: 7:00 p.m. Youth Choir Plus. 7:45 p.m. Senior Choir.  
MANCHESTER UNITED METHODIST CHURCH

Wednesday, May 5, 11:30 a.m. and 1 p.m. Salad Smorgasbord Serving. 7:30 p.m. Joy Circle at Sallie Anderson's home.  
Saturday, May 8, 9 a.m. to 1 p.m. Church Women Rummage Sale at Emanuel.  
Sunday, May 9, 9:15 a.m. Church School. 10:30 a.m. Worship with sermon: "The Fifth Dimension - Love" 11:30 a.m. Choir and Coffee Hour.  
Monday, May 10, 9:30 a.m. Bible Study.  
Tuesday, May 11, 8:30 p.m. to 5 p.m. Youth Club (Last Session). 7:30 p.m. Pastor-Parish Committee.  
Wednesday, May 12, 1 p.m. Willo Circle. 6 p.m. Mother-Daughter Banquet. A petluck dinner with entertainment and prizes hosted by the Joy Circle.

### Mother-Daughter Banquet At Sharon United Methodist

A quartet from the Ann Arbor Chapter of the Sweet Adelines, "Top Priority", will present the program for the Mother and Daughter Banquet at the Sharon United Methodist Church on Thursday, May 6. The dinner at 6:30 p.m. is pot luck, and the program will begin at 7:30 p.m. Toasts to mothers and daughters and special recognitions will also be included in the program.  
The "Top Priority" quartet includes Sylvia Onachuk, Diane Castellane, Susan Richardson and Sharon Hoover.

**K & D TUB REFINISHING**

RESURFACE & RENEW BATHTUBS AT A FRACTION OF REPLACEMENT COST

WHITE AND COLORS

ALL WORK DONE IN HOME

GUARANTEED Call 313-428-8951

**This Week's Special**

SPECIAL STARTS WEDNESDAY

**COMBO FISH & CHICKEN \$2.75**

**STIX LUNCHEON \$2.69**

**DUTCH LOAF \$2.39**

**COLBY CHEESE**

**FISH, CHICKEN and SHIRMP DINNERS OR BUCKET**

Save Time Order Ahead  
Phone 428-9322

**MANCHESTER DELI**  
108 ADRIAN STREET MANCHESTER, MICHIGAN

Open Monday-Saturday 9:30-7 P.M.  
Sunday 1 P.M.-6 P.M.

Wednesday, May 5, 7:30 p.m. Educational Program Study Committee.  
Thursday, May 6, 12 Noon-Senior Meal. 6:30 p.m. Bell Choir rehearsal. 7:00 p.m. Aerobic Dance. 7:30 p.m. Senior Choir rehearsal.  
Saturday, May 8, 9-1 p.m. Church Women United Rummage Sale, Gym.  
Sunday, May 9, 10:30 a.m. Bell Choir will play during worship.  
Monday, May 10, 6:30 p.m. Optimists.  
Tuesday, May 11, 10:00 a.m. Senior Citizens Council. 12 Noon-Senior Meal. 7:00 p.m. Aerobic Dance. 7:00 p.m. Boy Scouts. 7:30 p.m. Educational Program Study Committee.  
Wednesday, May 12, 6:30 p.m. Mother & Daughter Banquet, call the Church office for reservations.  
Thursday, May 13, 10 a.m. - Noon. Free Blood Pressure & Blood Chemistry Screening, sponsored by Saline Hospital.

### Special Events At North Sharon

Sunday, May 9, Mother's Day. We will be honoring all Mothers that day with gifts of living garden plants plus larger flowering plants for the Mother coming the farthest, who has the most children present, the oldest mother and the mother with the most grandchildren present. Pictures will be taken of any 4 generations who are able to be here. All boys and girls who attend will receive a special gift for bringing their mother. The time will be 10:00 a.m. for Sunday School and 11:00 for morning services.

Sunday, May 30, Ascension Sunday. A special day for our boys and girls. We will be having a Balloon Contest - each boy and girl will release a helium-filled balloon with their own name attached. A special award will be presented to the student whose balloon goes the farthest. 10:00 a.m. on the 30th.  
Both events will be held at the Corner of Washburne and Sylvan. 17999 Washburne Road. Nursery available - For a ride call 428-7222.

**John Sez; This Is The Month To Get Your Car In Shape For Summer Driving. This Week Check For Faulty Belts & Hoses. Go The NAPA Way.**

**Ross Automotive**

230 EAST MAIN STREET MANCHESTER, MICHIGAN  
PHONE 428-8320 or 428-8328

MONDAY-FRIDAY 8 am-5 pm SATURDAY 8 am-2:30

**PUTTS  
-N-  
PARS**



**CLARK LAKE 18 HOLERS**

Driscoll-Wilson	44.5
Conlin-Gistingner	38.5
Golightly-Barnard	37
Becktel-Reed	36
Tirb-Fink	30
Boutel-Burkhardt	25
Steele-Donnellon	23
Hughes-Thornton	21.5
Jenter-Ahrens	15.5
Fewest Putt's, Becktel 32.	
Closest to pin, 2nd shot #1, Donnellon.	
Closest to pin #16, Kastanis.	

**CENTREVIEW THURSDAY NIGHT  
MEN'S LEAGUE**

Wurster-Stautz	22
McGee-Rutherford	18
Finkbeiner-Eviliszer	18
Bradley-Perkins	17.5
Benedict-Benedict	17.5
Fversole-Trolz	17
Bailey-Nickerson	17
Roller-Fielder	16.5
Ray-Cox	16
Nickerson-Preston	14
Koebbe-Waters	13.5
Rankin-Fields	13
Randall-Jose	13
Smith-Beach	12.5
Pitcock-Warren	12.5
Daubner-Gotts	12
Flint-Hlavka	12
Mann-Mitchell	0

**CLARK LAKE SUNDAY MIXED  
LEAGUE**

Lyle-Maxine Widmayer	7
Willie-Wilma Frey	6.5
Jack-Joyce Golightly	6.5
Chuck Hough-Milda Koebbe	6.5
Bob-Jean Little	6.5
Gary-Marti Bondy	6
Gary-Polly Brokaw	6
Don-Maryann Fielder	6
Dick-Bettie Fink	6
Dorney-Marilyn Lamb	6
Keith-Judy Reed	6
Dennis-Cathy Herman	5.5
Tim Sannes-Kathy Gotts	5.5
Larry-Ruth Snyder	5.5
Joe-Bex Szczygielski	5.5
Bob-Helen Popkey	5
Jackpot Hole - Bettie Fink.	
Loggost Drive, Women - Judy Reed.	
Longest Drive, Men - Keith Reed.	
Closest to pin-3rd shot - Cathy Herman.	

**NEW CLARK LAKE 36**

R. Schaffer-K. Roberts	39.5
J. Wallace-P. Wallace	39.5
D. Southwell-D. Sayers	39
M. Stockwell-G. Kemeter	37.5
J. Reed-R. Stetler	37
C. Day-W. Frey	36.5
B. Achtenberg-B. Padley	36.5
B. Bunney-D. Petsch	32
S. Bentschneider-B. Fielder	31.5
J. Roberts-A. Hannewald	27.5
B. Rhees-G. Chavey	23
G. Bihlmeyer-B. Steiner	22.5
D. Wolf-F. Jennings	22
L. Goodell-J. Schaffer	22
R. Wurster-R. Weir	20
R. Schook-K. Hurst	18
Low w/h 0-10 - D. Southwell (39).	
Low w/h 11-20 - D. Sayers (29).	
Closest to pin #14 - B. Fielder.	
Best Poker Hand - D. Sayers, L. Goodell.	
M. Stockwell, five 5s.	

**Hole-In-One**

Bob Nickerson got a Hole-In-One at the Centreview Golf Course, April 29th, while playing in the Thursday Night Men's League, on the 5th hole, 170 yards, using a 5 iron.

**COPING...**

**"Produit libres"  
by candlelight?**

Ah, sweet serendipity. Looking for one thing -- finding something else. Serendipity has struck Coping. We thought we would tell you about our most enchanting discovery.

The generic age of merchandising has dawned.

It seems that this generic age began in France, with a giant supermarket chain called Carrefour. Brand-free (generic) products were identified as "produit libres."

Coping doesn't know about you, but we think it's simply elegant that the no-names concept was born in a place with the captivating name of Carrefour. The romantic French were dining on plain-packaged veggies long before we were.

"Produit libres" by candlelight. Just think about it.

What we mainly want to talk about today, though, is the generics' upper-crust cousins, the private labels, and how they fit in the whole name-brand-private-label-generic scheme of things.

The differences are not widely known among consumers. In fact, the head of the Consumer Federation of America has said, "My guess is one-third of all consumers don't know the meaning of house brands and two-thirds don't understand generics."

Coping fell within that group, so we got the lowdown from a couple of folks.

One was Ralph Selitzer, editor and publisher of the Private Label Magazine, based in New York, who told us private labels include all those sold under a store's own label, using the store's name or a name created exclusively for that store.

Generics, he said, are an offshoot of private labels, offering lower quality at a lower price.

By way of reassurance, Selitzer added, "Private labels are under the government's quality control program. The same standards that apply to name brands apply to private labels. You get the same government assurances."

Elaborating on that point for us was our own, close-to-home expert, William O. Haynes, professor of food distribution at Western Michigan University, Kalamazoo.

Regardless of which product you choose, "one is nutritionally as good as the other," because all of them are required by federal government regulations to meet minimum standards.

"The difference is the private label manufacturer doesn't hire four or five technicians to regulate tomato soup," Haynes told us. "It's nutritional and safe, just not as fancy."

In a general sense, we can call the name brands Grade A, the private labels, Grade B, and the generics, Grade C, keeping in mind that all meet minimal kinds of protection.

Here's how Haynes breaks them down: Name brands, also referred to as national brands, are highly advertised items that are distributed nationally to "promote high brand loyalty." Because "huge sums of money" are spent in quality control, the quality is high and consistent.

Private labels, also called controlled labels, are lines offered only by certain stores so distribution is highly controlled. They are priced less than national brands, usually 15-25 percent less, and can be of differing qualities. For example, Meijer's Food Club, its best private label, is com-

parable to national brands in quality. Haynes says, but Meijer's also has Elma and other names for lesser quality, lower priced products.

Think of familiar names like Spartan Stores' "Gem," IGA's "IGA" label and "Tabletreat," Safeway's and Schmidt's "Shurline," and Midway's and Giant's "Tuesworth" and "American Leader" and you have the idea so far.

Generics are the plain-wrapper products, which are not advertised by the producers and are not consistent but are 25 to 45 percent less costly than the name brands.

What the three types of labeling do is offer the consumer more options, Haynes says.

The thing Coping keeps going back to is the idea of basic quality. While we are as conscious as the rest of you about saving money, we don't want to do it at the expense of our diets. We like to pamper ourselves with good food, so it's good to know we can cut down on the food bill without cutting down on quality.

Private labels, like generics, are steadily growing in popularity, particularly in Michigan. Maybe it's the economy. Probably it's the economy. Most everything is these days.

Michigan grocers tell Coping their private labels sell almost as well as name brands, and you don't have to be an expert on the food industry to figure that's quite a feat.

"You get people who will only buy Del Monte," says the manager of one busy chain. "Then you have your people who can't afford the Del Monte so they save a few pennies but get a good product, too."

"We have a couple of private labels and they sell real well," another representative of a large chain operation told Coping. "People find they do real well with lesser-priced goods and they get better value for their money."

To this manager, there's no secret about the success. "Once the customers fix them (the private labels), they know they are getting good quality."

Nationwide, in just the past two years, private labels have grown almost 25 percent and have grabbed almost 17 percent of the total market.

What that tells us is a lot of people have already found out about different labels and they like what they have found.

**A COPING P.S.:**

The bad news is grocery prices are up. The good news is they are up "only a wee bit," experts say.

For the year, beef should increase about 5 percent and pork about 10 percent. Prices on milk and dairy products should hold steady.

**MORE GOOD NEWS:**

Food is plentiful! There will be an abundance of milk, dairy products, beef and chicken. Exceptions to the predictions are fresh vegetables and citrus, thanks (or no thanks) to Mother Nature's late freeze in Florida.

**Excitement At Nursery School**



3 Year Old Class

One of the exciting activities enjoyed by the nursery classes this spring has been a special clown day. This was the frosting on a fun circus until the children had been exploring for several weeks. Everyone came to school wearing a hobo or clown costume and the children enjoyed helping to paint their own faces with clown

make-up. A visit from Leo Clear and Rick Elsworth, friends from town, who entertained the children with a little juggling act was one of the high points of the day.

For information about next fall's classes please call Renee Weidmeyer at 662-2067 or Diane MacFarlane at 428-7407.



Tuesday-Thursday 4 Year Old Class



Amy Hlavka and Katrina Bihlmeyer

**CHECK BEFORE YOU BURN!!**

OPEN BURNING OF GRASS IS PROHIBITED WITHOUT A PERMIT. NORMAL YARD TRASH AND TRASH BURNERS ARE ALLOWABLE, BUT PLEASE CONTACT THE MANCHESTER TOWNSHIP FIRE DEPARTMENT TO OBTAIN A PERMIT IF YOU PLAN TO OPEN BURN.

**CLASSIFIED ADS  
PAY OFF!**

**COPIES MADE**

8 1/2 X 11 - 8 1/2 X 14

11 X 17

ALL COPIES CAN BE COPIED ON BOTH SIDES

**THE MANCHESTER ENTERPRISE**

PHONE 428-8173

**Manchester Knights Of Columbus**

**ANNUAL ROAST BEEF DINNER**

*Mother's Day*

Sunday, May 9

SERVING 12 NOON - 3 P.M.  
CHILDREN \$2.50  
ADULTS \$5.00  
PRE-SCHOOL FREE

**MAY SPECIAL**

Buy Any Memorial In Stock and Receive A FREE IN GROUND FLOWER VASE

Bring This Ad

**Arnets Memorials**

4495 Jackson Road  
Ann Arbor  
665-3658

**91 DAY**

**New 91 day certificate!**

**Banks have them too...but we pay 1/4% more interest.**

High interest and short term. Both come with our new 91 Day Certificate. Term of our new certificate is just 91 days and the high interest rate is tied to the rate on 13 week Treasury Bills. We pay 1/4% more interest than banks do, and your dollars are safely insured to \$100,000 with an agency of the federal government. Minimum deposit is \$7500.

Federal regulations prohibit the compounding of interest on 91 Day Certificates and require substantial penalty for early withdrawals.

**GREAT LAKES FEDERAL SAVINGS**

Member FSLIC



### Saline Hospital To Celebrate National Hospital Week

Area residents are reminded that Saline Community Hospital will be celebrating National Hospital Week, May 9 - 15. This year's observance of Hospital Week is called "You've Got a Friend". There will be a special emphasis on wellness with activities including a Health and Lifestyles film, Cardiac Education program and risk factor screening, "Coronary Counter Attack" film and a Weight Reduction Workshop as well as many free health screening tests. Free health screenings will also be conducted in the communities of Clinton, Manchester and Milan.

On Thursday, May 13, Blood Pressure Tests will be given at the Manchester Emanuel United Church of Christ, 10:00 to 12:00.

For further information regarding any of the Hospital Week events, please contact the Hospital at 429-5435, ext. 331.

### LaLeche League

La Leche League of Manchester will have their first meeting of the Summer 1982 series on Tuesday, May 11, 1982, at 7:30 p.m. The meeting will be held at the home of Susan Gialanella, 20284 Kirk Road, Manchester (2nd house on right, west of M-52), 428-9606. The topic of this meeting will be, "The Advantages of Breastfeeding

to Mother and Baby". La Leche League was founded in 1956 to promote "Good Mothering Through Breastfeeding the World Over." It is a non-profit, non-sectarian organization which provides support and encouragement to mothers who wish to breastfeed. At meetings, informal discussions are led by a trained leader, and focus on the topic of the monthly meeting. Further meetings in this four-meeting series will include: The Art of Breastfeeding and Overcoming Difficulties (June), The Baby Arrives: The Family and the Breastfed Baby (July), and Nutrition and Weaning (August).

Books on nursing, childcare, mothering and childbirth are available for loan or purchase at meetings. Mainly, there is information, support and warmth for women who are or are considering breastfeeding.

If you have questions about La Leche League meetings, or need advice or encouragement, feel free to call our leaders: Linda Meyer, 428-7203, or Grace Rogers, 428-7305. They will be glad to talk to you and be of any help they can.

Any woman who is interested in learning about the art of breastfeeding is welcome to attend our May 11 meeting. Mothers with nursing babies are encouraged to bring them along.

### Meeting Notice

The American Legion Auxiliary will meet on Wednesday, May 12, to celebrate the 60th anniversary of receipt of charter.

We shall honor charter members. A 6:00 p.m. potluck dinner is planned. Rolls, butter and coffee will be furnished by the committee.

### Cheese Distribution May 7

The May distribution of government donated cheese for Manchester School District and Manchester Township will take place on Friday, May 7 at the American Legion Hall between the hours of 10 and 1. (Note this is a new location. The hall is located at the corner of Duncan and Adrian Streets.) The kitchen door at the Adrian Street end of the hall will be the only entrance open. There will be signs to direct cheaters.

The families that were eligible for the March and April distributions will be eligible again if their income does not exceed 125% poverty guidelines as follows: Family size 1 - not more than \$5,386 per year (\$448.83 monthly or \$103.58 weekly); Family size 2 - not more than \$7,113 per year (\$592.75 monthly or 136.79 weekly); Family size 3 - not more than \$8,838 per year (\$736.50 monthly or \$169.96 weekly); Family of 4 - \$10,563 per year, \$880.25 monthly or \$205.13 weekly. For each additional family member add \$1,725 per year, \$143.75 per month or \$33.17 per week.

If there are any questions about the program, call 428-8852 or 428-8976.

### new ARRIVALS

Mr. and Mrs. Mark Berry of Norvell wish to announce the birth of their son Robert Michael born April 28, 1982. He weighed 5 pounds 5 ounces and was 19 1/2 inches long.

The proud grandparents are Mr. and Mrs. Merritt Martin of Saline and Mr. and Mrs. Robert Berry of Manchester.

Mr. and Mrs. Bernard Roulo of Lake Columbia are the proud parents of a baby girl born Friday, April 16, 1982. Angela Sue weighed 7 pounds 8 1/2 ounces and was 19 1/2 inches long.

Maternal grandparents are Mr. and Mrs. Dennis Engelbert and paternal grandparents are Mr. and Mrs. Ralph Roulo.

Angela Sue has a brother, Peter Philip at home.

### Manchester Mens Club Drawing

The winners of the Manchester Mens Club Spring drawing which was held May 1, 1982 are Hind Quarter - Bill Mann of Manchester; Bushel of Joy - Vicky Wurster of Manchester; and Peck of Joy - Oldenburg of Grass Lake.

# Wedding Bells and Beautiful Brides



Wedding ANNOUNCEMENTS AND INVITATIONS...

STOP IN AND SEE OUR FINE SELECTION

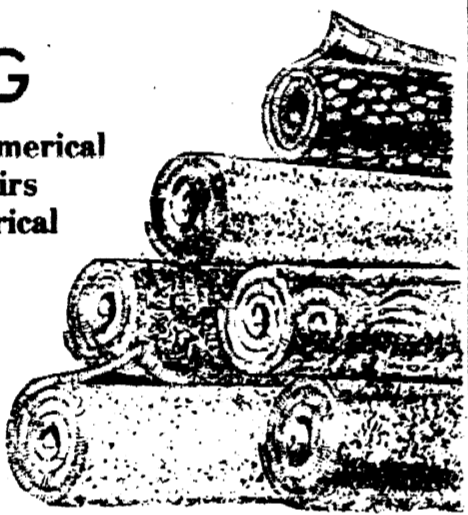
THE MANCHESTER ENTERPRISE

## CARPETING

Residential Commerical  
Sales-Installation-Repairs  
Residential and Commerical

Free Estimates  
Carpet Samples Brought  
To Your Home

DAVE TAPPING  
Phone 428-7269



## VARSITY CHOIR CONCERT

FRIDAY, MAY 14, 1982

8:00 P.M.

HIGH SCHOOL STUDY AUDITORIUM

ADULTS: \$1.50 STUDENTS: \$1.00  
SENIOR CITIZENS FREE

## Sweet as the Thought... Flowers FOR MOTHER'S DAY



Sponsored By  
Manchester Men's Club

FRIDAY & SATURDAY

MAY 7 and 8

Friday, Noon to 5 p.m. - Saturday, 9 to Noon

IN THE LOBBY OF  
ANN ARBOR BANK & TRUST  
GREAT LAKES FEDERAL SAVINGS  
NATIONAL BANK OF JACKSON

## AUCTION GARAGE SALE

Sponsored By  
Manchester Athletic Boosters

SATURDAY, MAY 15, 1982

1:00 P.M.

IF YOU HAVE ITEMS TO DONATE CONTACT  
TOM GOLDING 428-7478 OR AL GEBHARDT 428-8221 AFTER 6:00 P.M.

PROCEEDS TO HELP SUPPORT ATHLETIC PROGRAM

## MANCHESTER INSURANCE AGENCY

122 WEST MAIN STREET  
MANCHESTER, MICHIGAN  
Phone 428-8215

Home-Farm & General Insurance

## AUCTIONEERS

JERRY JACOB CLIFF TRACY  
313-428-7975 313-428-7263  
Manchester, Michigan

MEMBER OF  
MICHIGAN STATE AUCTIONEERS  
ASSOCIATION

Spring "Car & Yard"  
Tuneup Time

## LaROCK and SON

Auto & Small Engine Repair  
BOB & JACQUES, Owners  
15151 Sharon Valley Rd.  
Manchester, Michigan  
PHONE 313-428-8849

## Kirk Excavating

SAND - GRAVEL - FILL DIRT  
BASEMENTS - DRIVEWAYS  
SNOW REMOVAL

DAVE KIRK

14180 Schlawe Rd Manchester  
Phone 428-7938

## WILLIAMSON

HEATING & COOLING SYSTEMS

John Steeie, Jr.

INSTALLATION

AND REPAIR

Phone 428-8692

## MERRIMAN INSULATION

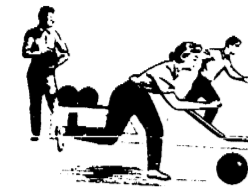
FREE ESTIMATE

BLOWN IN CELLULOSE

Professionally Installed

George Merriman  
Phone 313-429-7982  
372 Hartman Lane Saline, Mich





### Strikes -N- Spires

#### JOLLY KEGLERS BOWLING LEAGUE

April 13, 1982

#### FINAL STANDINGS

Cheryl's Boutique	119 98
Manchester Car Wash	117 100
Carol's Cut-N-Curl	116 101
Chelsea Lanes	111 106
Double A Products	111 106
Dutch Country Kitchens	111 106
Ross Automotive	102 115
B & H Mfg.	81 186

### Keeping Up With Spring Sports

Starting out on Monday, the Hudson Tigers came to town for a baseball and softball game. Unfortunately for us they left victorious in both. In the boy's contest Bill Scully took the mound but despite his two hits and Pete Johnson's double and triple, Hudson won 7-3. In the girl's game, Hudson won 14-10 but it seems the Tigers did let down and it almost cost them. They opened up going wild and scored 10 runs but we came back with 6 in the 4th inning. We did add 2 in the 5th and 2 in the 6th but it wasn't enough. Having 2 or more hits were: Leanne Goodwin, Beth Vleck, Mary Ridenour, Karen Dulle and Jan Coval.

Tuesday was track day and I don't know how the boys did but our girls got crushed by Blissfield. Kari again won 4 events—110 yd hurdles, 100 yd dash, 220 yds dash and 220 yd hurdles. In the 440 yd dash Kay Eversole crossed first.

All we have Wednesday is a heartbreaking loss to Onsted. Brad Stetler hurled excellent ball - shutting them out through 6 where they tallied twice. Going one better, their pitcher shut us out until the 7th where we scored only 1. Final 2-1.

### The Good Doctor

The Good Doctor by Neil Simon, opening May 7 at the Black Sheep Theatre, is a collection of scenes from the short stories of Anton Chekhov. Each is a perceptive character sketch containing pearls of comic truth. The play's action runs the gamut of human fancies and foibles - from the shy country actress giving the finest audition of her career to the "professional drowner" trying to sell his display of drowning and rescue to a passer by for three rubles. Simon gives contemporary flesh and bones

to these charming and eccentric characters.

The Good Doctor is directed by Black Sheep veteran David Hunsburger. The versatile five person cast includes Joey Golden, Theresa McElwee, Joe McNally, Allison Maker, and Larry Rusinsky.

The Black Sheep Theatre will present The Good Doctor May 7 - 23 with performances on Friday and Saturday evening at 8:15 p.m. and on Sunday at 4:00 p.m. Ticket prices are \$7, \$5 seniors over sixty and college students, and \$2 youth under 18 years. Group and dinner discounts are available. Call for information and reservations between noon and 6 p.m. (closed Monday) at (313) 428-9280.

After starting the season with 2 wins we've dropped 6.

Thursday was once again track day as we hosted Clinton. First in boy's, we did fall 89-43 but we fought well. Don Hagerman took the 100 m dash 11.6, Tim Seegert finished first in 200 m dash. In 5 minutes and 6 seconds, a happy Joe Achtenberg captured the 1,600 m run. Also in the 400 m relay Don Hagerman and Tim Seegert with Bunney and Nickles to take first. Our girls went down in a close one, 4 events but our only other first placer was Chris Weirich in the high jump.

In the poll for boys track this week in the area we have Don Hagerman in 10th position in the discus and 8th in the 100 dash. In the girls poll we have Kari Agin 8th in the 100 dash, 7th in the 220 dash, 2nd in both 110 hurdles and 220 hurdles. (Laura Spaid from Huron is leading narrowly). In the 440 dash we find Kay Eversole in 10th place.

Emmett Award for outstanding athletic and academic achievements and leadership. Bob is a junior at Siena Heights College.

### Friends To Sponsor Library Renovation

The Friends of the Manchester Township Library will be holding a garage sale at the Farmers Market on Saturday, May 15 from 10 a.m. to 1 p.m. to raise funds for several small renovation projects at the library. Items to be donated for the sale should be brought to the Farmers Market on May 15 from 8 to 10 a.m. All items should be prepriced, with clothing donations restricted to children's wear. Receipts for tax purposes can be obtained by supplying a listing of items donated. A limited pick-up service is available for those unable to transport donated items to the Farmers Market by calling 428-8451.

### Robert King Honored

Robert King, son of Mr. and Mrs. Charles King was honored for the second time this year for outstanding academic achievement. At a special luncheon Friday, April 30th he was awarded the Thomas

### Kirk Park Work Day

There will be a Work Day at Kirk Park on Saturday, May 8 at 9:00 a.m. to ready the field for sod laying. All T-Ball, Little League, Softball managers and players are urged to help. Please bring rakes.

# LAST DAY OF REGISTRATION SCHOOL ELECTION

NOTICE OF LAST DAY OF REGISTRATION OF THE ELECTORS OF MANCHESTER COMMUNITY SCHOOLS WASHTEANAW AND JACKSON COUNTIES, MICHIGAN

To The Electors Of The School District:

PLEASE TAKE NOTICE THAT THE ANNUAL SCHOOL ELECTION OF THE SCHOOL DISTRICT WILL BE HELD ON

MONDAY, JUNE 14, 1982

The last day on which persons may register with the appropriate city or township clerks, in order to be eligible to vote at the annual school election called to be held on Monday, June 14, 1982, is Monday, May 17, 1982. Persons registering after 5:00 o'clock, p.m., on Monday, May 17, 1982, are not eligible to vote at the annual school election.

PERSONS PLANNING TO REGISTER WITH THE RESPECTIVE CITY OR TOWNSHIP CLERKS MUST ASCERTAIN THE DAYS AND HOURS ON WHICH THE CLERKS' OFFICES ARE OPEN FOR REGISTRATION.

THIS NOTICE IS GIVEN BY ORDER OF THE BOARD OF EDUCATION.

#### ADDENDUM

PLEASE TAKE FURTHER NOTICE that the Intermediate School Board of Washteanaw Intermediate School District, Michigan, has resolved to submit the following proposition on the same day as the annual school election:

WASHTEANAW INTERMEDIATE SCHOOL DISTRICT SPECIAL EDUCATION MILLAGE INCREASE QUESTION

SHALL THE ONE AND ONE-HALF (1½) MILL LIMITATION ON THE ANNUAL PROPERTY TAX PREVIOUSLY APPROVED BY THE ELECTORS OF THE WASHTEANAW INTERMEDIATE SCHOOL DISTRICT, STATE OF MICHIGAN, FOR THE EDUCATION OF HANDICAPPED PERSONS BE INCREASED BY ONE-HALF (½) MILL?

All those who reside within the intermediate school district must be registered with the appropriate township or city clerk by 5:00 o'clock, p.m., of Monday, May 17, 1982 in order to be eligible to vote.

PAUL DUFRESNE SECRETARY, BOARD OF EDUCATION

## RUMMAGE SALE

Clothes and Miscellaneous Items

SATURDAY, MAY 8th

9 AM TO 1 P.M.

Emanuel Church Hall

Sponsored By MANCHESTER AREA CHURCH WOMEN UNITED

For MOM on her day!

ACCESSORIES FOR MOTHER'S DAY

EARRINGS - BELTS

SUNDRESSES - GOLF SHIRTS

SKIRTS - TOPS - SLACKS

NEW ARRIVAL OF BLOUSES

## THE CLOTHES LINE

134 EAST MAIN STREET

MANCHESTER, MICHIGAN

PHONE 428-7775



# THE MANCHESTER ENTERPRISE

115TH YEAR VOLUME NO. 29

USPS 327-460

20 Cents Per Copy

THURSDAY, MAY 13, 1982

### Library Fund Raiser Needs Community Support

A Garage Sale fund raiser is being held from 10 a.m. to 1 p.m. this Saturday, May 15, at the Manchester Farmers Market. The sale is being sponsored by the Friends of the Manchester Township Library to raise funds for several small renovation projects at the library. Donations of items for the sale are needed and should be brought to the Farmers Market from 8 a.m. to 10 a.m. on May 15. It is requested that all donated items be prepriced, with clothing donations restricted to children's wear. It should be noted that all donations are tax deductible. A receipt for tax purposes can be obtained by supplying a listing of donated items at the time of donation. A limited pick-up service is available for those unable to transport donated items to the Farmers Market by calling 428-8451. In the event of rain, the Garage Sale will be postponed until the following Saturday, May 22. Rescheduling due to rain can be confirmed by calling 428-9454.

Because the sale does begin precisely at 10 a.m. with no presales, the public is encouraged to arrive as close to 10 a.m. as possible for the greatest selection of sale bargains.

### Mayor Exchange Day - May 17

Mayor Exchange Day will be observed this year on May 17, 1982 in Manchester. We will be exchanging mayors with Beaverton, Michigan with a population of 1,200. Beaverton is located 8 miles south of Gladwin, Michigan and northeast of Mt. Pleasant. The visiting mayor will be Mayor Bernard Allen and wife Jonie, also Village Manager James Wesley with wife Julie.

The program scheduled for the day will be tours of Carr Park, Kirk Park, Sewage Treatment Plant, High School, Middle School, Township Hall, Village Hall, Main Street and visiting Chrysler Proving Grounds. After lunching at the Bauernstube Restaurant the tour will continue with Hoover Universal, Double A Products Co., the Township Library, Village Churches, The Black Sheep Theatre, the Art Guild and the Klager School.

The finishing touches of the day will be a dinner at the Knights of Columbus Hall. The dinner will be a 7 o'clock with cocktails at 6 o'clock. Tickets are \$7.50 per person, reservations may be made by calling 428-7882 by 5 p.m. Thursday, May 13th.

Master of Ceremonies will be Glenn Lehr, Jr. with Rev. Robert B. Macfarlane giving the invocation. The Optimist Club, Manchester Men's Club and the Historical Society will give brief speeches of their clubs. Entertainment will be presented by The Black Sheep Repertory Theatre.

### 16th Annual Amateur Boat & Canoe Race

The annual Boat & Canoe Race sponsored by the Manchester Optimist Club will be held on the River Raisin in Manchester, Michigan, Sunday, May 16, 1982, at 1:00 P.M. Again this year, will be featured the sprint race near the Main Street Bridge. Rules and entries are available at the Gamble Store in Manchester. Entries close on Saturday, May 15, 1982 at 5:30 P.M.

### Mrs. Florence Kirks Rose Garden



Pictured are: John Minkley, Ed Kirk, Mrs. Florence Kirk, L.V. Kirk and the Kappler.

In honor of Mrs. Florence Kirk's 100th birthday, the Jackson & Perkins Company sent 100 magnificent rose bushes as part of their Public Gardens Program, to be planted in Kirk Park. The Manchester Law Enforcement Explorers volunteered their time and effort to plant the roses on May 1, 1982. They were supervised by Ike Kappler, John Hinkley, Dave Petsch, Kevin Deacons, Ed Townsend, and Bill Zsenyuk.

The roses donated include: Prominent, American Pride, White Masterpiece, Sunsprite, Rassic Dazzle, and Viva. Mr. Joseph Kirk, nephew of Mrs. Florence Kirk, was instrumental in obtaining the donation of the roses from Jackson & Perkins Company, the world's largest rose growers.

In making the donation, Mrs. Susan Funk, spokeswoman for Jackson & Perkins, said "We're certainly glad that we could help the Village of Manchester. It's a pleasure to know Jackson & Perkins roses will be enjoyed by so many of your residents."

## Say yes to Michigan!



Michigan Week - May 15 thru 22

The 29th annual Michigan Week takes place May 15-22. Where? Everywhere in Michigan. In hamlets, towns, small cities, large cities, in schoolrooms and retail stores, in clubhouses and factories, in homes, churches, on playgrounds and in the streets. Michigan Week is a program of, by and for the people.

Michigan Week debuted in 1954 as a pick-up for a depressed economy, after a group of Michigan leaders had put their heads together and come up with the Michigan Week idea - a grassroots program in which Michigan citizens could help to pull their state up by the bootstraps.

The initial effort was so successful that the Michigan Week program has become an institution. Young and old band together to observe the eight special theme days - Community Pride Day, Saturday, May 15; Heritage Day, Sunday, May 16; Government Day, Monday, May 17; Senior Citizens Day, Tuesday, May 18; Livelihood Day, Wednesday, May 19; Education Day, Thursday, May 20; Hospitality Day, Friday, May 21, and Youth Day, Saturday, May 22.

Governor William G. Milliken traditionally attends the kickoff parade in Sturgis which opens Michigan Week. Mayors and village presidents will exchange offices on Government Day to "see how the other half does it." Marshall hosts the state Volunteer Leadership and Community Achievement awards on the same day.

The Michigan Bean Commission will be serving bean soup at the capitol on May 18. Education Day events include the annual Michigan Week dinner in Iron County and the Michigan Minuteman ceremony on the capitol steps in Lansing.

One of the Michigan's premier cultural events is the 20th annual Youth Arts Festival, to be held May 21-22 on the campus of Central Michigan University, Mt. Pleasant. The Alma Highland Festival and Games on the last weekend of May officially concludes 1982 Michigan Week.

### Memorial Day Parade

Memorial day will be celebrated on May 31st this year by the American Legion and other organizations in town with a Memorial Day Parade. The parade will start at the Main Street Bridge at 9:00 a.m., and will proceed from there to Wurster Park and on to the cemetery, where a brief service will be held. Speaker this year will be Rev. Stanley McKenzie.

The American Legion, Post #117, will then continue their tribute to those who have served our country at the Norvell Township cemetery.

At 2:00 on Memorial Day, the Legion will again sponsor a pig roast which is open to ALL Manchester area veterans and their families. This was a very popular event last year and we hope to make it even better this year. A potluck supper will accompany the pig roast; bring a dish to pass and table service.

Hope to see you on Memorial Day!

### Historical Society Work Session

Manchester Area Historical Society work session at 7:30 Monday night, May 17, will have something for everyone.

There will be painting, cleaning, lawn mowing, trimming, addressing brochures and making lists. Wear your work clothes and bring your favorite piece of equipment that fits the job you'd like best to do. Contact Howard Parr, president, at 428-9233 regarding special assignments in which you are able to help.

You don't have to be a MAHS member (yet) to help make history. Meet you at the Old Blacksmith Shop, 324 East Main, Monday night.

### School Board Agenda

The Manchester Community Schools Board of Education regular meeting will be held Monday, May 17, 1982 at the High School.

The agenda will be:

- I Roll Call
- II Communications
- III Visitor Input
- IV Minutes of Previous Meetings:
  - A. Regular Meeting April 19, 1982
  - B. Special Meeting April 26, 1982
- V Financial Report
- VI Bills Payable
- VII Discussion Items:
  - A. Cascades Athletic Conference.
  - B. Gifted and Talented Program Presentation.
  - C. Text Books and Curriculum Recommendations
- VIII New Business:
  - A. Teacher of the Year
  - B. High School Student Council Constitution
  - C. Personnel Items
- IX Old Business:

