

WANT ADS

BEEF TO SELL BY SIDE: Custom slaughtering. Lockers to rent. Phone 428-7600. Manchester Locker Plant tfn

ALUMINUM EAVESTROUGH - Seamless, white, black and brown, guaranteed, free estimates. Walkows Home Improvement Company, phone 313-428-6468. tfn

BLACK DIRT FOR SALE: Tested and proven excellent for gardens and lawns. 6 yards delivered \$35. 428-7784. tfn

HORSE SHOING AND TRIMMING. Bob Beaubien. 517-467-2591. tfn

ALL CASH NOW - For land contracts any size, any property, anywhere in Michigan, call Dan Duncan, Ann Arbor Real Estate Co. 668-8586. tfn

SCHEBOR'S GREENHOUSES. open all year - 14345 Logan Road, 428-8073. A good variety of plants. tfn

RAFALSKI AND SON CONSTRUCTION septic tank, field beds, test holes and trenching. Phone 428-7248, 18300 W. Austin Rd., Manchester, Michigan. tfn

ROULOU ELECTRIC - Licensed and Insured Contractor. Call Clinton 517-456-4796. tfn

POOL chemicals. pool underwater repair kits. Cliff's Ace Hardware, Manchester, Michigan. Phone 428-7322. tfn

CHELSEA GREENHOUSES 7010 Lingane Road, Chelsea, Michigan 475-1333 - 54 or 475-9313. Flowers and plants for every occasion. We specialize in wedding flowers to fit your budget. We are as near as your phone and we welcome your business. tfn

Visit Our
WICK MODEL HOME OPEN HOUSE at 5201 Brooklyn Rd. M-50 SE Jackson. Tuesday-Friday 1-6. Saturday & Sunday 2-5. Callaway Construction 517-784-4400 or 563-2938

FOR SALE - Sears Air Conditioner 22.500 BTU \$175.00. 428-8096. tfn

ON THE SPOT WELDING - Farm equipment and machinery of any kind. 428-7358 or 428-9131. tfn

4 MICHELIN STEEL Radial tires 225 X 15 Replaces J-78 - Lots of rubber - \$50.00 for the set - Call 428-7336. p

BLOCK YARD SALE - July 28, 8:30 to 4:30 - South Mason from Main to Duncan Street, plus 305 W. Main Street. Antiques and bric a brac. p

JERRY BARTH - Horseshoeing and Trimming. 517-688-4486. 8-20p

CLINTON THEATRE

Friday & Saturday 7:30 & 9:30
Sunday 7:30

DRACULA
is about to bite your funny bone.

at First Bite
PG

LITTLE WACK EXCAVATING
Licensed & Insured
Basements - Drainfield - Bulldozing - Digging - Snow Removal - Tree Removal.
Paul Wackenhut. Phone (313) 428-8025. 9-6

FREEDOM ELECTRIC

11207 Pleasant Lake Road
Manchester, Michigan

**NEW CONSTRUCTION
COMMERCIAL
INDUSTRIAL**

GILBERT LUCKHARDT
428-8233

CEMENT WORK
Patios - Porches - Driveways - Call 428-7270. 8-30 p

FOR SALE - Canning jars, quarts and pints, \$1.00 per dozen, also walnuts meats, quarts or pints, \$5.00 quart, \$2.50 pint. 428-8866. 8-2

FOR SALE - Walnut 50 X 70 dining room table, 4 chairs and buffet, for \$150.00. stoneware place settings for 12 for \$20.00 or best offer. 428-8829. 8-2p

WANTED TO BUY - a used bassinet. Please call 428-9265. 8-2p

THREE BEDROOM HOUSE FOR RENT in Tecumseh, carpeting and drapes. Security deposit and references. 428-8502. 8-2

CARPET REMNANTS up to 70% off Hartungs. 11353 Clinton Tecumseh Road, Clinton. Closed Thursday and Sunday. 8-2

OUT DOOR GRASS CARPET - \$2.99 square yard while supply lasts. Hartungs, 11353 Clinton Tecumseh Road, Clinton. Closed Thursday and Sunday. 8-2

SECRETARIAL CAREER OPPORTUNITY
Develop your skills and advance in responsibility in entry level position. Ideal for candidate looking for that first or 2nd job or for individual returning to the labor market. Growing Ann Arbor based Company needs self starter to maintain sales files, transcribe tapes, perform light bookkeeping, handle mail and duplicating services. If you offer accurate spelling and typing 55 to 65 wpm, we offer free parking, free coffee, congenial surroundings, company paid dental, health, disability, life insurance, with non contributory profit sharing. Let's talk about it. Call Mary Bierlein at 769-4600, ext. 256. An Equal Opportunity Employer.

U-PICK - Michigan's largest raspberries 85¢ a quart, 8 acres. Excellent picking 7 to 7 daily. 6461 Wheaton Road, 3 miles west of Napoleon of M50. Makielski Berry Farm. 8-2

HELP WANTED MANAGER ATTENDANTS
For full service station downtown Manchester. Good pay, benefits. Call 769-8100, ext 220. 7-26

DEPENDABLE CARPENTER looking for work. Experienced in dry wall, small additions, remodeling and wood-working. Call Luckhardt Bros. at 668-8598 or 429-5556. 8-16

NOW TAKING ORDERS for fresh, frozen fruit. Direct from western Michigan. Processed and ready to eat. Cherries, blueberries, raspberries, apples, apricots, peaches, Hubbard, pineapple, gooseberries, fruit cocktail, melon and asparagus. Orders must be in by July 25th. Phone 428-7600. Manchester Locker Plant. 7-23

Card Of Thanks
I would like to thank everyone for the cards, visits, planters and many other kindnesses while I was in the hospital and since returning home. It was nice of you, also Rev. Madefarlane for the visits.
Gertrude Engenwischer

ARE YOU SURE YOU'RE "PUNCHING THROUGH LOUD AND CLEAR"?

The original MFR cannet an average of three miles further to "punch through loud and clear" with a check one adjustment of his 1/2 band antenna system for peak performance.

MANCHESTER CB SERVICE

Phone 428-8073 FCC LICENSED

To Father Schlinkert and K of C for masses, Don Sutton, Keith and Judy Reed, relatives and friends, thank you for such great acts of kindness and love.
Don Walter and family

I would like to thank all my relatives, friends and neighbors for all the cards, flowers and visits during my stay at the hospital and after I arrived home. A special thanks to Doug Parr for his help to Mike and I on that memorable night. A thank you to Miss Steinaway's 1st grade for all their lovely cards and pictures. And to my sorority sisters a heartfelt thanks for all the meals and sisterly deeds you have done.
Shirley Lowery

LEGAL NOTICE

FREEDOM TOWNSHIP PLANNING COMMISSION

On July 30th at 8:00 p.m. at the Freedom Town Hall the Freedom Township Planning Commission will reconvene to continue discussion pertaining to a special land use request as made by the Holloway Sand and Gravel Co.

The request is for gravel extraction on the following parcels of land:
N 1/2 of NE 1/4 EXC S 600' of N 1350' of E 726' SEC 26 PSE R4E (98.67 AC); S 1/2 of NE 1/4 SEC 26 PSE R4E (53.33 AC).

LEGAL NOTICE

NOTICE TO CREDITORS

All persons who are creditors of Chelsea Finance Corporation take notice that said Corporation has filed a Certificate of Dissolution; all creditors are directed to file their claims in writing on or before February 1, 1980 with:
Chelsea Finance Corporation
P.O. Box 23
Chelsea, Michigan 48118

LEGAL NOTICE

MANCHESTER TOWNSHIP PLANNING COMMISSION

NOTICE OF PUBLIC HEARING
TAKE NOTICE that Manchester Township Planning Commission will hold a public hearing on the application of John J. Knapp, Philip Maley, Jim Thompson, Dave Fisher, Ron McIntyre and Ken Franz for a conditional use permit to construct single-family homes on premises presently zoned R - C Recreation - Conservation described as:
The North Fractional 1/2 of the Northeast fractional 1/4 of Section, T4S, R3E, Township of Manchester, Washtenaw County Michigan, also an easement for ingress and egress and utilities over the Southerly 66 feet of the North fraction 1/2 of the Northwest fractional 1/4 of said Section 4, T4S, R3E.

on August 6, 1979 at 8:00 p.m., in the afternoon at the Manchester Village Hall, 120 South Clinton Street, Manchester, Michigan.

LEGAL NOTICE

Manchester Township Planning Commission

To: All property owners within 300 feet of premises

PLEASE TAKE NOTICE that a public hearing will be conducted before the Village Zoning Board of Appeals on the application of Harry Krauss pertaining to property located on 708 E. Vernon St. Manchester, Michigan 48158. Said hearing is scheduled for 8:00 p.m. August 6, 1979, at the Village Hall at 120 S. Clinton St., Manchester, Michigan 48158.

The public hearing will consider the request of the property owner for a variance to allow construction of a pool structure with less than the side yard setback requirement of the Village Zoning Ordinance. Any comments are welcome at the meeting, or in letter form. Your attendance is not required.
Village of Manchester
Deborah E. Richardson, Village Clerk

THE MANCHESTER ENTERPRISE

112TH YEAR VOLUME NO. 40 USPS 327-460 THURSDAY, AUGUST 2, 1979

Open House Mark Gonyer's 50th Wedding Anniversary



Mr. and Mrs. Ray Gonyer will be feted at an Open House in observance of their golden wedding anniversary on Sunday, August 5 from 2 to 7 at the Knights of Columbus Hall in Manchester. The event will be hosted by their children and grandchildren.

The Gonyers were married on August 5, 1929 at St. John's Catholic Church in Monroe, Michigan. Their five children include: Ronald and Larry of Manchester, Mrs. James (Dolores) Bauer of Clinton, Mrs. Kenneth (Barbara) Frey of Saline, and Conrad of Ypsilanti, and 18 grandchildren.

Mr. Gonyer is a retired brick and stone mason. The couple enjoy gardening and collecting antiques. Friends and neighbors are cordially invited to attend the open house and to join in their celebration.

Fair Entertainment Events Calendar

The schedule of events for the program at the Manchester Community Fair for 1979 looks pretty much the same as in previous years except for some new additions. Thursday afternoon there will be a Goat Judging contest at 2:30. This is the first year we have had this event. Judy Galbraith is chairman of this exhibit.

A Horseshoe Pitching contest will be in full swing 5:00 Thursday afternoon. For many years the Fair has featured this contest but this is the first time it is open to pitchers outside our community. A trophy will be presented to the champions as well as ribbons and monetary prizes awarded to other contestants. David Goodell is the chairman of the event.

Let us focus in on the evenings' entertainment. Every year we hear from many people that there is not much to do at the Fair. Certain situations we have to accept. The size Carnival we have is controlled by the amount of space we have. Not many people in that business will even consider Manchester. The fireworks had to be discontinued because of the danger involved. Also the cost of fireworks had to be considered. Another very important factor is the extra insurance, which is very costly, if fireworks are displayed.

This year we took a closer look at the facilities we do have. Larger fairs have a Grandstand that can be used for extra entertainment. Manchester has the "Middle School Gym". Since this is the first year the Board has considered extra entertainment we had to look for people who would provide good entertainment within our area.

When I went to use this miracle glue I found that with it came a tiny pin with a little round head which you were to stab into the nozzle of the tube and thus release

1979 Fair Queen Candidates



Seniors: Pictured L to R - Dianna Smith, Kathy Kidd and Nancy Egeler.



Juniors: Pictured L to R - Melissa Darby, Heidi Drosch, Laurie Fitzgerald and Kathy Kenner, Alternate.



Sophomores: Pictured L to R - Lisa Rodriguez, Lisa Wolfe and Amy Little.



Freshmen: Pictured L to R - Natalie Walkows, Laura Pierce, Carol Teich and Tina Braskow, Alternate.

The Manchester Enterprise

150 EAST MAIN STREET
Manchester, Michigan 48154
USPS 327-460

Phone 428-5173

The Manchester Enterprise was established in 1967 and is published each Thursday at 150 East Main Street, Manchester, Michigan with second class postage paid at Manchester.

Edward E. Steele, Publisher

Lenore Steele, Editor



Craft School Reunion

A reunion of all former students and teachers of Craft School, Sharon Township, will be held Sunday, August 5, at 1 p.m. at the Herbert Jacob farm, 15654 Below Road.

Please bring your own picnic lunch and beverage. For further information, call Herb Jacob 428-5999 or Rita Huber at 428-5116.

LETTERS TO THE EDITOR



51 years ago last June, I graduated from Manchester High School. I departed Manchester for WWII August 1943. Also served in WWII and Korean War. Met General Patton in Germany and in the Korean War represented the Air Force for a period at General MacArthur's night meetings at Army Headquarters in Japan. Retired after 20 years active duty where the snow is only high in the mountains and the fishing is good. Reedy, California produces rain, sectorizes, pines and pines. It is known as the Fruit Basket of the World. We had a German student this last year. He attended our high school and returned to Germany this July 9th. In our home he became our own son for the year under the U.F.Y. Program with headquarters in Ann Arbor.

Harold Brownell
Lieutenant Colonel, Retired
472 Kings Dr.
Reedley, California

Notice

Any band alumni wishing to play in the fair parade should call Mr. Roebenbeck at 428-7333 or 428-8797.

The Lighthouse In Concert

The Lighthouse, a Christian performing arts company which presents Christian themes and values through song, dance and drama, will be returning to The Power Center for the Performing Arts in Ann Arbor on Saturday, August 11, at 8:00 p.m. Tickets are priced at \$2.50, \$2.50, and \$1.00. For ticket information and reservations, please call 761-8507 weekday evenings between 8:00 and 9:30 p.m. beginning Monday, July 30.

In Retrospect

the glue. This I did and succeeded in stabbing myself. But I finally succeeded in doing a bit of gluing. Most of the glue seemed to be left in the tube when I got through so I put it carefully away and a couple of weeks later got it out again to try my luck on another project. I found that the pin that I had placed in the hole in the tube to seal it was sealed and would not yield to a pin, needle or even an ice pick. I got out a steak knife and whacked the tube a good one which slobbered the glue about and finished any possibility of using the remainder.

However, I have discovered many things about adhesion. For instance I can place a bread wrapper within a foot of a warm kettle and tightly bond the plastic wrapper to the kettle so that it has to be scrubbed and scrubbed to get it off. I can screw the top on a bottle of jam without carefully wiping off the lip of the jar and, after leaving it for a couple of days, find it impossible to get the lid off until it has been soaked in hot water and pried off.

But I guess that, overall, we are better glued nowadays than we were years ago when we remember making kites, for instance, and having nothing with which to

stick them together with but homemade flour paste which didn't stick worth a darn but which one could wash off oneself and the neighboring territory quite easily and I do remember the day that my puppy proceeded to eat most of the small pan of pasta with which I was working and which I, of course, had left sitting on the floor. It, at least, didn't make him sick and it didn't seem to stick anything together in his interior.

Accepted By Siena Heights College

Rick Krzyzaniak, son of Mr. and Mrs. Richard Krzyzaniak of 12900 Austin Road, Manchester, recently was accepted by Siena Heights College and will be playing on the varsity baseball team next spring.

The Manchester High School first baseman and co-captain led the team with a .508 batting average and clouted 6 homers and 30 RBIs this spring. His .547 batting mark in league competition made him the top hitter in the county. He was also the captain of the Manchester basketball and football teams this year. He accumulated a 3.2 grade point average at Manchester.

"Rick has committed himself to baseball and should develop into a fine college player," said Siena baseball coach Ben Braun. "He has excelled in every sport he has pursued. Rick should give us the power every baseball team can benefit from and he is especially tough with runners on base. We're happy to have Rick in our baseball program."

Co-Op Nursery Accepting Enrollment

Fall enrollment for Manchester Co-op is still open. Classes are filling fast. If interested call Judy Hoeft at 428-7168.

MANCHESTER ELECTRIC, INC.
CONTRACTING
ELECTRICAL - HEATING - COOLING
MAJOR APPLIANCE SALES AND SERVICE
112 ADRIAN STREET MANCHESTER
PHONE 428-8243

OPEN HOUSE R.D. Kleinschmidt, Inc.
FRIDAY and SATURDAY
AUGUST 3rd & 4th
FRIDAY 1 P.M. TO 9 P.M. SATURDAY 9 A.M. TO 3 P.M.
Door Prizes Refreshments
Drawing for Gas Grill
ROOFING
SIDING SEAMLESS ALUMINUM GUTTERS
Aluminum fascia & soffit system
Storm windows & doors
Shutters Insulation
"Complete Job or Material Only for Do-It-Yourselfers"
R. D. Kleinschmidt Inc.
15660 Sharon Valley Road 428-5836 Manchester

Guy's Bridgewater Tavern
MIXED DRINKS
FINE SANDWICHES
429-4529
8452 Boettner Rd
Bridgewater

Spear & Associates, Mann, Realtors
122 WEST MAIN PHONE 428-8388 DAILY MANCHESTER
JUST LISTED - Two bedroom home in good condition, possible 3rd bedroom or rec. room, just within the Village limits. \$44,000.
COUNTRY LIVING - In a beautiful four bedroom home, 2 1/2 baths, fireplace in family room, inground 20 X 40 pool, horse barn & pasture area, Manchester Schools, must see to appreciate.
FOUR UNIT APARTMENT - Great investment, low maintenance, 1 yr. old, located in the Village of Manchester. In the \$90's.
75 YR. OLD FARM HOUSE - On 4 1/2 acres, 3-4 bedrooms, barn, silo, & pasture area, Manchester Schools. Low \$70's.
BUILDING SITES
90 X 70 LAKE LOT - On Sweezy Lake, 10 miles west of Manchester. \$13,000.
1 1/2 ACRE PARCELS - Beautiful wooded building site, with lake access. \$7,500.
3/4 ACRE - 150 X 220, 2 barns on property, in Grass Lake Township, one mile from Washtenaw County line.
OFFICE HOURS
Mon. thru Fri. 9 a.m. to 5 p.m. Sat. 9 a.m. to 12 noon
OFFICE PHONE 428-8388
EVENINGS AND WEEKENDS:
JIM MANN 428-8074
ELLIS PRATT 428-8562

Kash 'N Karry Warehouse Market

The Kash 'N Karry Warehouse Market brings a new concept in grocery shopping to Adrian.

Now open in a former supermarket at 124 East Front Street, it represents a new venture in Adrian for Seaway Food Town, Inc.

The Kash 'N Karry Warehouse Market differs from a conventional supermarket in that it has eliminated costly frills and services normally associated with food shopping, in order to keep prices down.

Probably the most noticeable is that customers are encouraged to bring their own bags, or if they prefer, can purchase bags at a minimal price. Other differences are:

Customers can carton their own eggs for extra savings.

In the Meat department, steaks, chops, etc. are sold in packages of four, five, or more. This saves not only the cost of the additional trays, but also the manpower required to wrap each one separately.

Grocery products are displayed on warehouse racks in their original case cartons. Customers may buy by-the-item, or by-the-case at the same low price.

Since there will be numerous empty

cartons available, customers are encouraged to use them to box their order.

The Kash 'N Karry Warehouse Market does not sell any beverages in returnable bottles, and will not accept bottle returns.

Checks will be cashed for the amount of purchase only. Many brand items are stocked, but only selected brands that can be bought at special deal prices from the manufacturer will be available at a given time. For example: If a particular brand cake mix comes in 19 varieties, there may only be 7 available at Kash 'N Karry.

The same is true with sizes. Instead of the usual supermarket variety of 20 sizes & brands of catsup, Kash 'N Karry may have only 3 brands in 6 sizes. All of this keeps their costs - and their prices down.

Another feature that large families will like is their selection of restaurant-size cans & packages of nationally known brand items. These larger sizes offer larger families (and organizations) a substantial saving.

Store hours are 10 a.m. to 9 p.m., Monday through Saturday. Kash 'N Karry will be closed on Sundays.

Arbeiter Picnic

All former Arbeiter members and their husbands are invited to attend a picnic on August 6th. at Carr Park. Bring a dish to pass and your own drinks and table service.

News Of Good Things Growing

Steaming hot Michigan corn-on-the-cob with fresh melted Michigan butter is a perfect picnic treat for summer outings. For a different corn taste, try serving with a cheddar cheese spread, sour cream and chives or make sweet corn and bacon hot cakes.

Good things ARE growing in Michigan and fresh sweet corn is now arriving at markets and stores.

Our state ranks fifth in the nation in sweet corn, producing nearly eight million dozen ears in 1978, valued at \$6,515,000, according to the Michigan Department of Agriculture.

Corn leads all of our other crops in value, with nearly 40 percent of our planted acreage, nearly three million acres, being devoted to field and sweet corn, popcorn and corn silage.

With improved fertilization, irrigation and farm management, yields have risen from 30 bushels of corn an acre in 1866 through the mid-40's to an average 81 bushels an acre today.

Sweet corn, as we know it, was cultivated in the early 1800's and is one of the few vegetables native to America, dating back to the Indians of Guatemala.

Fresh sweet corn's good flavor is quickly lost after it's picked, because its high sugar

Attends Auctioneers Convention

Steve Halchishak of the Halchishak Auction Service, 14601 Tracy Road, Manchester, attended the 1979 Annual National Auctioneers Convention in Denver, Colorado, July 11-14. The convention featured seminars and workshops on topics of interest to auctioneers throughout the nation.

Mr. Halchishak, who has been a member of the National Auctioneers Association for 8 years, participated in workshops on Antiques, Real Estate, Farm and Machinery, and Estate auctions and voice analysis. Steve is also a salesman and Real Estate auctioneer in the firm of Andrew Realty in Adrian.

content turns to starch as ears mature. To help keep the flavor, leave husks on and refrigerate until it is to be cooked. Freezing sweet corn is an easy way to retain Michigan freshness and flavor for a 'winter picnic' around the fireplace. For a listing of where you can stock up on sweet corn from pick-your-own farms and roadside markets, write the Michigan Department of Agriculture for the free publication "Country Carousel." P.O. Box 30017, Lansing, 48909.

With improved fertilization, irrigation and farm management, yields have risen from 30 bushels of corn an acre in 1866 through the mid-40's to an average 81 bushels an acre today. Sweet corn, as we know it, was cultivated in the early 1800's and is one of the few vegetables native to America, dating back to the Indians of Guatemala. Fresh sweet corn's good flavor is quickly lost after it's picked, because its high sugar

Checking--Savings
Auto Loans--Farm Loans
Safe Deposit Boxes
Financial Counseling
Home Improvement Loans
Travelers Checks
Christmas Clubs
Money Orders
SAVE STEPS. SEE US FOR ALL FINANCIAL NEEDS.
THE ANSWER IS YES
UNION SAVINGS BANK
MEMBER F.D.I.C. MANCHESTER / BRIDGEWATER / PLEASANT LAKE

GERALD AHRENS CONSTRUCTION
ADDITIONS - DECKS
RENOVATIONS - REPAIR
FREE ESTIMATES
PHONE 428-8807

MANCHESTER INSURANCE AGENCY
122 West Main Street
Manchester, Michigan
Phone 428-8215
Home-Farm & General Insurance

MANCHESTER CARPET CLEANERS
"DEEP STEAM EXTRACTION"
Very Reasonable Rates
Free Estimates
Special Rates to Churches
Residential - Commercial
DON STEELE
PHONE 428-7319

Lloyd Electric
OWNER - VERN LLOYD
RESIDENTIAL
COMMERCIAL
INDUSTRIAL
Ph. 1-313-439-7859
14475 Milan Oakville Rd.
Milan, Michigan 48160

Your Church

EMANUEL UNITED CHURCH OF CHRIST

Rev. Robert Matlock, Pastor
Worship Service 9:30 a.m.
Pastor's message and offering.
SUNDAY SCHOOLS: 9:00 a.m. (Preschool) 10:00 a.m. (Grades 1-4) 10:30 a.m. (Grades 5-8) 11:00 a.m. (Grades 9-12)
Worship Service 10:30 a.m.

ST. THOMAS LUTHERAN

Rev. Paul Fisk, Pastor
Worship Service 9:00 a.m.
Worship Service 10:30 a.m.
Sunday School 10:00 a.m.

ST. JOHN'S UNITED CHURCH OF CHRIST

Rev. Robert Matlock, Pastor
Worship Service 9:00 a.m.
Worship Service 10:30 a.m.
Sunday School 10:00 a.m.

BETHEL UNITED CHURCH OF CHRIST

Rev. Robert Matlock, Pastor
Worship Service 9:00 a.m.
Worship Service 10:30 a.m.
Sunday School 10:00 a.m.

MANCHESTER UNITED METHODIST

Rev. Robert Matlock, Pastor
Worship Service 9:00 a.m.
Worship Service 10:30 a.m.
Sunday School 10:00 a.m.

ST. MARY'S CATHOLIC CHURCH

Rev. Robert Matlock, Pastor
Worship Service 9:00 a.m.
Worship Service 10:30 a.m.
Sunday School 10:00 a.m.

NORTH SHARON COMMUNITY BIBLE

Rev. Robert Matlock, Pastor
Worship Service 9:00 a.m.
Worship Service 10:30 a.m.
Sunday School 10:00 a.m.

FAITH COMMUNITY CHURCH

Rev. Robert Matlock, Pastor
Worship Service 9:00 a.m.
Worship Service 10:30 a.m.
Sunday School 10:00 a.m.

ZION LUTHERAN CHURCH

Rev. Robert Matlock, Pastor
Worship Service 9:00 a.m.
Worship Service 10:30 a.m.
Sunday School 10:00 a.m.

ST. JOHN'S LUTHERAN CHURCH

Rev. Robert Matlock, Pastor
Worship Service 9:00 a.m.
Worship Service 10:30 a.m.
Sunday School 10:00 a.m.

VICTORY BAPTIST

Rev. Robert Matlock, Pastor
Worship Service 9:00 a.m.
Worship Service 10:30 a.m.
Sunday School 10:00 a.m.

ST. BARNABAS EPISCOPAL CHURCH

Rev. Robert Matlock, Pastor
Worship Service 9:00 a.m.
Worship Service 10:30 a.m.
Sunday School 10:00 a.m.

WILLIAMSON

John Steele jr
INSTALLATION & REPAIR
Phone 428-8692

UNION SAVINGS BANK

Telephone 428-8334

FAITH COMMUNITY CHURCH

Sunday August 5th. Mrs. Frank of the Faculty of Grand Rapids School of the Bible and Music will be the Guest Speaker during the 10:30 a.m. worship hour. Missionary Time will be observed at the 11:30 a.m. Sunday School time. Evening service at 7:30 p.m. with Rev. Tisdell of Grand Rapids speaking. An offering for church young people at 8:30 p.m.
Monday evening August 6th. Visitation at Herron Nursing Home at 6:30 p.m.
Tuesday August 7th. Bible Sharing Time at St. Barnabas at 9:30 a.m. Tuesday evening August 7th. Board of Trustees to meet at church at 7:30 p.m.

ZION LUTHERAN CHURCH

Sunday School 9 a.m. Worship with Holy Communion 10:30 a.m. Guest Preacher.

EMANUEL UNITED CHURCH OF CHRIST

Sunday, August 5, No First Sunday. Communion. Rev. Emanuel Hoover will be our guest preacher today.

ARE YOU SURE YOU'RE PUNCHING THROUGH LOUD AND CLEAR??
We have the equipment and know-how to help you improve your communication. We'll restore your hearing aids, repair and tune your equipment, and we'll make sure they're working properly.
MANCHESTER CB SERVICE
CALL 517-456-7593
2848 US12 CLINTON, MICHIGAN
4 MILE WEST OF 52 SATURDAYS



We don't have all the answers, but basically, if you improve your home to conserve energy, you could earn an income tax deduction.
In other words, insulation, a new and more efficient heating plant and other improvements could qualify you for an income tax deduction of this year's tax return.
Even the addition of solar or wind energy equipment could earn an income tax savings.
So, if you have been thinking of making improvements around the house, now could be a good time to get with it.
Stop in, let's discuss what you have in mind and explore every avenue of financing and tax savings.
We're equal housing lenders.

Richard Z. Wolf
UNION SAVINGS BANK
Telephone 428-8334

Obituary

Mrs. Taylor Gage

Age 85 years, passed away Saturday, July 26, 1979 after a lingering illness at her home in Tucson, Arizona.
She was born September 15, 1894 in Sharnock Township, Manchester, Michigan, the daughter of Henry and Frederica Huestman Bernat.
She graduated from Manchester High School in 1913 and on December 12, 1917, in Manchester she married J. Taylor Gage. He survives.
Survivors include husband, one daughter, Patricia Gage, at home.
Mrs. Gage was an accomplished musician and for many years gave lessons in her home.
Services were held Tuesday in Tucson, Arizona.

The Gages moved to Tucson, Arizona about 10 years ago, having lived for a time in Ann Arbor after leaving Manchester in 1958. Mrs. Gage belonged to the United Methodist Church.

OSA Search For Outstanding Senior Citizens

The State Office of Services to the Aging (OSA) is conducting a statewide search for outstanding senior citizens to receive

Senior Citizen of the Year Awards. The awards, one for service and one for leadership, will be presented at the Michigan State Fair on Senior Citizens Day, August 21. Applications for the awards have been distributed to senior organizations and agencies throughout the State. The deadline for submitting applications is Friday, August 17.
"What we're looking for," said OSA Director Peter Kutz, "are individuals who've never received recognition for the work they're doing. At the same time, we are trying to call attention to the fact that older people are a vital and integral part of community life."
Kutz said that although the selection committee primarily evaluates contributions made during the past year, they do take special note of senior citizens who've been engaged in community activities a number of years. "We urge local organizations to nominate these senior citizens, because they are responsible for the success of many senior programs."
Anyone 60 or older is eligible for the award. They must be nominated by an organization. Senior citizens may not be nominated for work they receive a stipend for or do as part of their job.
The Senior Citizen of the Year Awards are sponsored by the Michigan Commission and Office of Services to the Aging, and the Michigan State Fair. For more information or an application, contact your local Area Agency on Aging or the Office of Services to the Aging, P.O. Box 30026, Lansing, 48909, (517) 373-9360.

JOHN L. KORSIRNIK, BLACKSMITH
CUSTOMER WROUGHT IRON-
DRIVEWAY GATES - WOOD STOVES-
SIGN BRACKETS - MAIL BOX STANDS-
FIREPLACE TOOLS - ANTIQUE IRON RESTORATION-
CALL 517-456-7593
2848 US12 CLINTON, MICHIGAN
4 MILE WEST OF 52 SATURDAYS

What happens if there's a hot time in the old house tonight?

A fire is bad enough. But if you haven't kept your insurance coverage in line with the rapidly increasing value of your home, it could mean extra trouble.
Come in and see us soon. We'll help you select an Auto-Owners Homeowners policy that's big enough to handle the cost of replacing your home.
At a cost that's smaller than you might think.

Auto-Owners Insurance
SUTTON AGENCY
136 EAST MAIN ST. MANCHESTER, MICHIGAN

Toll Free "Action Line"

In an effort to make state government more accessible, the Michigan Senate has installed a toll free "Action Line." Senator Edward C. Pierce (D-Ann Arbor) announced.
Senator Pierce said that constituents calling the toll free number 1-800-292-5893 can leave a message for him or a staff member with the Secretary of the Senate's office. Phone calls received between the hours of 9 a.m. and 5 p.m., Monday through Friday WILL be forwarded to his office twice a day.
"The Senate's new Action Line will provide the residents of the 18th District with a simple, economical method of contacting me about any state government issue," said Pierce. "If you have a question about legislation, want to voice an opinion or need help in cutting through bureaucratic red tape, call the toll free Action Line at 1-800-292-5893."
Senator Pierce said that any messages left for him on the Action Line would receive his prompt attention.
"I want to help you with any problems or questions you have regarding state government," said Pierce. "By using the Michigan

Senate's Action Line you can make your voice heard in the legislative process.

Also available to the constituent on a 7 day 24 hour basis is Pierce's answering service located in Ann Arbor. That number is 313-865-4672.

Canning Center Calendar

Washtenaw County Cooperative Extension Service offers free participation workshops for area families to learn the correct and safe way to home can foods. Participants are required to bring their own jars, lids, and produce and use the Center's canning equipment.
Pre-registration is required. To register or for more information call 973-9510. Sessions begin at 9:30 a.m.
SCHEDULE
Thursday, August 2 - Pressure Canning of Vegetables.
Tuesday, August 7 - Pressure Canning of Vegetables.
Thursday, August 9 - Waterbath Canning of Fruit and Fruit Jams.
Friday, August 10 - Pressure Canning of Vegetables.

Fair

Wednesday evening the Sweet Adelines Chorus will present some good barbershop harmony. "Fours the Limit" will be the guest quartet for the evening.
Last week's Enterprise asks for help in finding entertainment for Thursday evening. That spot is not filled. "Fiddlin' Jamie" and the Country D's will provide Country Western music with 13 year old Jamie as the star performer.
Friday afternoon Boyer and Fitzsimmons Magicians will present some of their magic tricks to the kids in the afternoon and will bring more magic mystery to the general audience at 7:30 Friday evening.

Saturday afternoon for those who want to take a break from the tractor pulls and also for those who are interested in something else, O.J. Anderson, of our own Black Sheep Repertory Theatre will treat us to his Mime Show. In the evening at 8:00 a trio called "The Harmonica Men" from the Detroit area, will give us a musical treat.
Come and bring your friends. Enjoy the entertainment and support the efforts of our Fair Board.
Remember everything is included in the cost of your weekly pass and/or the daily admission.

PLANTING A FAMILY TREE

With the growing interest in tracing family roots, now is an excellent time to do something about planting a "tree" of your own to make it easier for future generations to know their heritage.
In past generations, record keeping was a neglected or cumbersome task, resulting in fragmented sketches of the genealogical development of families. With today's modern communications tools, such as cameras and recorders, there is no reason why you can't easily leave an accurate picture which family members yet to be born can enjoy.
More so, you have an opportunity to act as a conduit between the past and the future by establishing a family history, adding to it throughout your lifetime, and passing the archive on to the member of the next generation who is most likely to continue in the interesting role of scribe for the growing tree.
It's simple to start. Here are some tips from the Monquest Industry Information Bureau:
■ Develop a family tree photo album. Gather all the pictures you can of relatives past and present who fall into your direct genealogical line. Label photos with the individual's name, birth date and death date if deceased. In the front of the book prepare a diagrammed-tree tracing the lines of ancestry. Be sure to leave space for insertion of future dates.
■ Try to obtain photos of the monuments of family members. Upright monuments have been a tradition among almost every ethnic group for centuries and provide an excellent resource for vital family information. Be sure to list the location of the monument to encourage visits to these ancestral sites.
■ Gather as much biographical data on each family member as possible. Aside from the usual statistics, you can humanize the material through a narrative sketch of the individual. A convenient way is to tape record interviews with family members about themselves and about previous family members they can recall.
■ Home movies of relatives can personalize the collection even more. An interesting technique is to play recorded interviews while showing movies to "give life" to ancestors whom future generations will have no other means of knowing. This approach will become even more convenient as video tape recorders become more available and affordable.

YOUR FARM IS OUR OFFICE
FOR FARMOWNERS INSURANCE THAT WORKS...
Phone: 428-7331
THAT'S WHY FARM BUREAU MUTUAL IS MICHIGAN'S LARGEST FARM INSURER.

Larry Beckett
109 E. Main St.
Manchester, MI

FARM BUREAU INSURANCE GROUP

See Roy and Save **MIDSUMMER CLEARANCE**

Simplicity Garden Tractors, Lawn Mowers, Roto Tillers MUST GO!

SAVE \$180.00 on 6011 Tractor with 42" mower Reg. Price \$1825.00 Sale Price \$1645.00	5 HP ROTO TILLER SLASHED \$30.00 Reg. Price \$399.95 Sale Price \$369.95
4108 Tractor with 36" mower Reduced From \$1275.00 TO \$1150.00	8 HP Tiller Reduced From \$529.95 TO \$499.95

CHECK THESE SPECIAL VALUES TOO!

19" push mower Reg. Price \$144.95 Now Only \$124.95 SAVE \$20.00	21" deluxe push mower Reg. Price \$269.95 Now Only \$238.95 SAVE \$31.00	Deluxe self-propelled 4-in-1 mower Reg. Price \$339.95 Now Only \$309.95 SAVE \$30.00
---	--	---

WATCH FOR OUR PRE-SEASON SNOWBLOWER SALE
When you want dependability, look for...
Simplicity
AN ALLIS-CHALMERS COMPANY

Tecumseh Saw & Rental
414 N. EVANS
TECUMSEH, MICH.
423-7070

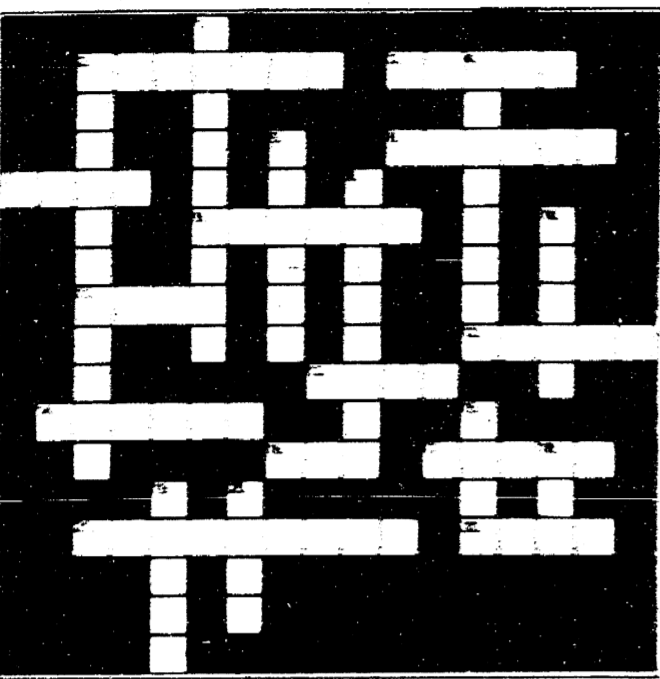
Big Hay Yields

Cutting After Cutting

DEKALB Brand Alfalfa combine seeding vigor, disease resistance and vigorous regrowth to give you high tonnage yields of quality hay cutting after cutting. Winter hardy and persistent. Order yours today.

NU KOTE ALFALFA SEED
CALL US FOR OUR SPECIAL PRICE
LES McCALLA
428-8270
8922 M52 MANCHESTER, MICH.
DEPEND ON DEKALB

CROSSWORD Vacation RHYMES Michigan Products



1. The product of the grape
2. The product of the tree
3. The product of the field
4. The product of the mine
5. The product of the sea
6. The product of the earth
7. The product of the sky
8. The product of the sun
9. The product of the moon
10. The product of the stars
11. The product of the planets
12. The product of the galaxies
13. The product of the universe
14. The product of the world
15. The product of the nation
16. The product of the state
17. The product of the county
18. The product of the city
19. The product of the town
20. The product of the village
21. The product of the hamlet
22. The product of the hamlet
23. The product of the hamlet
24. The product of the hamlet
25. The product of the hamlet
26. The product of the hamlet
27. The product of the hamlet
28. The product of the hamlet
29. The product of the hamlet
30. The product of the hamlet

"GAS WATCHERS" TIP

A gas watcher is a person who watches the gas gauge in your car to see if it is working properly and to alert you if there is a problem.



MICHIGAN-MADE PRODUCTS ARE FAMOUS NATIONWIDE

Regardless of where tourists go in Michigan, it's more than likely that a product famous nationwide is being made nearby, according to Automobile Club of Michigan.

The list of goods stamped "Michigan-made" is almost limitless, ranging from edibles such as butter, wine, cheese and fudge, to shoes, canoes, archery equipment

and automobiles. Many of the state's manufacturers have extended tourists standing invitations to view their operations. To see how white-hot steel is molded into the family automobile, take an auto plant tour. Contact Ford Motor Co. 313-322-0034 in Dearborn, or go through any of several General Motors plants in Flint, Saginaw, Kalamazoo and Lansing by calling its Detroit headquarters at 313-556-4444. Visitors to Frankenmuth can get a taste

YES WE HAVE POP IN CANS

12 PAC \$2.75 PLUS DEPOSIT

1/2 litre CASE \$5.25 PLUS DEPOSIT

AIR CONDITION SERVICE

TIRES ELECTRONICALLY BALANCED FOR A NEW CAR RIDE

FILLYAW'S SERVICE

327 WEST MAIN

24 HOUR SERVICE
PHONE 428-8576

FRONT-END ALIGNMENT

at chicken or German food and then enjoy Christmas in July at Brewer's, home of America's largest year-around yuletide insurance display. For operating hours, call 517-462-9922.

What began as Dr. John H. Kellogg's health food sanitarium in the late 1800s made Battle Creek the nation's cereal capital. Visitors to the Kellogg Co. complex can see how tons of grain are transformed into Corn Flakes, Bran and Rice Krispies and get a free sample by calling 616-966-3000.

Food for younger palates is made at Gerber Products Co. in Fremont, the country's top baby food producer. Visitors are given free juice and product samples on tours, arranged by calling 616-928-2614.

Anyone who's ever visited Mackinac Island knows of its most famous export, fudge. Each summer tourists jam main street fudge shops to watch as the sweet treat is ladled, scooped and kneaded into loaves.

Visitors can taste free samples of Michigan's home-grown wines at any of eight West Michigan wineries. Those offering samples with tours include Lakeside Winery near Harbert (616-469-0700); Labor Vineyards near Buchanan (616-422-1151); Bromie Winery near Hartford (516-821-4419); and Fenn Valley Vineyards near Fennville (616-521-2396).

Three wineries offering tours in the Paw

Paw area are Warner Vineyards (616-457-3185); St. Julian Wine Co. (616-457-5568); and Frontenac Vineyards (616-457-5531).

Only two years old, Traverse City's Leelanau Wine Cellars (616-944-1863) presently offers no tours, but has a tasting room.

What goes better with wine than cheese, especially the made-in-Michigan variety bought fresh from the wheel at Pinconning, the state's cheese-making capital since 1915. Free samples of various cheeses are offered at all cheese stores.

Michigan also is famous for its farm products. It is the nation's top blueberry producer, with most productive fields in southwest Michigan near South Haven, site of the annual National Blueberry Festival in July. The five-county region around Traverse City also is tops in the country in tart cherry production. The harvest is celebrated each July during the National Cherry Festival.

The state also is among the top 10 producers of plums, apples, celery, pears, sugar beets, peaches and dairy products.

Anyone who has eaten or drunk too much of Michigan's goods can take a Midland product for headaches. Dow Chemical Co., a major manufacturer of plastics and cleaners, is one of the world's largest aspirin producers. The raw product is shipped in bulk form to drug firms for

Continued on following page

Greenbrier Golf Course

Corner of Wellwood Road and M124 at Wamples Lake
517/592-6952

Ted Tapping, Manager

WEEKDAYS	9 Holes	18 Holes
Senior Citizens & Juniors (under 16)	\$3.00	\$5.00
Tuesday & Wednesday Special	\$2.50	\$3.50
Senior Citizens & Juniors	\$1.50	\$3.00
WEEKENDS AND HOLIDAYS	\$3.50	\$6.00

Rest of Season Pass
Single \$60
2 Persons \$90
Family \$110

5 Round Pass \$15.00
10 Round Pass \$25.00

"Twilight" Golf Every Day (6:30 p.m. Till Dark) \$2.00

WEEKDAY EARLY BIRD SPECIAL
Breakfast (2 eggs, bacon, toast, coffee) and 9 holes of golf
\$5.00
Breakfast served until 11 A.M.

Continuing Our Summer Sale

Spring and Summer
Misses and Junior
Dresses
50% off

Remaining Summer
Sportswear, Swimwear
30%-50% off

CAL'S TOG SHOP

DOWNTOWN TECUMSEH

Bank Americard-Master Charge or your Cal's Tog Shop Charge

processing. For tour information, call 517-636-2591.

Michigan's forests produce more by volume now than in the 1800s, when lumbering was the state's biggest industry. Most trees now are harvested for paper production.

To see how paper is made, tour the Brown Co. in Kalamazoo (616-383-5071). It produces folding cartons, parchment and specialty papers. Muskegon's S.D. Warren Co. (616-756-3761, ext. 261) turns out glossy printing paper.

For other forest products, visit Grand Rapids, the nation's major producer of school, church and theater seating. The site of the world's only museum devoted exclusively to furniture is in nearby Holland. The Baker Furniture Museum there (616-392-8761) offers daily tours.

While other plants can't be toured, they contribute much to the state's economy. A Hastings plant turns out Pro-Line archery equipment while thousands of canoes used by families and wilderness campers alike are produced by Oscoda's Sawyer Canoe Co.

Keglers across the country know of Brunswick bowling equipment but not many know it's made in Muskegon. Niles is home of Simplicity Pattern Co.'s clothing patternmakers and municipal castings are manufactured by the East Jordan Iron Works in East Jordan.

A Consumers Power Co. plant at Marysville changes gas too dangerous for home use into safer natural gas while Alma is home of the Total Petroleum Corp., the state's second largest oil refinery.

Wolverine World Wide, Inc., at Rockford, produces millions of pairs of Hush Puppy pigskin shoes each year.

FCIC Offers "Customized" All-Risk Protection For Wheat

The latest development in investment risk management is an all-risk policy that USDA's Federal Crop Insurance Corporation says wheat farmers can customize to their individual financial situation.

Under the New Wheat Insurance program which is being introduced for the 1980 crop year, a total of nine different protection possibilities are being offered according to Harlan G. Stull, District Director for FCIC.

Even the premium rates are being computed to more closely reflect the individual policyholder's yield and loss experience Stull points out.

Farmers can qualify for a 5% premium discount after the first year. With additional favorable years of insurance experience the discount can climb as high as 50%. Policyholders who have large or frequent claims will pay higher premiums.

Wheat farmers can elect to be paid \$2.50, \$3.00, or \$3.50 for each bushel his insured crop falls below the guarantee yield. Stull notes that the price elections indicated above are each 50¢ a bushel higher than a year ago in order to reflect wheat growers' increased cost of crop production. Stull

"SPECIALIZING IN BARN RE-ROOFING"

SERVICE ROOFING COMPANY

HOT TAR - SHINGLES - REPAIRS

For a Free Estimate Phone 428-7104
Manchester, Michigan 48158



THE ANNUAL MANCHESTER STREET FAIR

SATURDAY, AUGUST 11TH
10:00 A.M. - 7:00 P.M.
MAIN ST. MANCHESTER, MICHIGAN
RAIN DATE: AUGUST 25TH

ARTS AND CRAFTS
MERCHANT'S SIDEWALK SALE
ENTERTAINMENT
MUSIC
MIME
CHILDREN'S THEATRE
AND MORE
FOOD AND BEVERAGES
FREE PARKING
FRIENDLY PEOPLE

FOR FURTHER INFORMATION:
PHONE (313) 428-9202, MON.-FRI. 9-5:30

SPONSORED BY:
THE MANCHESTER VILLAGE ASSOCIATION

suggests that the best way to make an intelligent decision about crop insurance is to weigh the cost against the benefits which are known. Some can have a dollar-and-dents value placed on them. With others, such as borrowing power, financial security, and peace of mind; it is difficult to know the real value.

The deadline to apply for insurance on 1980 wheat is September 30, 1979. Farmers can obtain information about the new customized all-risk protection available on their farm by contacting: Federal Crop Insurance Corporation, 1123 West Chicago Road, Coldwater, Michigan 49036. Telephone: 517-279-8471.

Michigan Theatre Open House

The Motor City Theatre Organ Society will present its monthly open house at Ann Arbor's Michigan Theatre on Sunday, August 12 at 10:00 a.m. Don Haller and Greg Bellamy will play the theatre's Barton pipe organ and Dr. Henry Aldridge from Eastern Michigan University will present a slide show entitled, "The Michigan Theatre and Other Great American Movie Palaces." The theatre will be open for public inspection, and the pipe organ will be available for anyone who wishes to play it. The Michigan Theatre is Ann Arbor's

only remaining movie palace and has recently been purchased by the Michigan Community Theatre Corporation. This civic organization plans to completely restore and renovate the theatre and use it for concerts, plays, lectures, and meetings. The public is cordially invited to the August 12 open house. There is no charge for admission.

Local Baseball Players Advance To Nationals

Nick Krzyzaniak and Tom Malcolm played in a N.A.B.F. Mickey Mantel tournament at Plymouth Canton this last weekend. Tom was the winning pitcher on Saturday with nine strikeouts to his credit. They were picked by the Plymouth Canton Elks and now advance to Columbus, Ohio on August 1, 1979 where their first game in a National Championship tournament will be against Birmingham Ala. This tournament has teams from Pennsylvania, Ohio, Indiana and many other places in the U.S. The Canton Elks are the Michigan representatives.

Congratulations Boys and Good Luck!

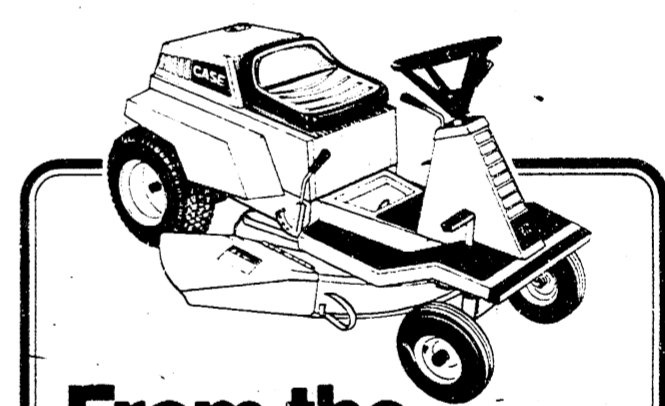
ASK ABOUT NAPA'S MACHINE SHOP SERVICE.

Ross Automotive

PHONE 428-8320 or 428-8328

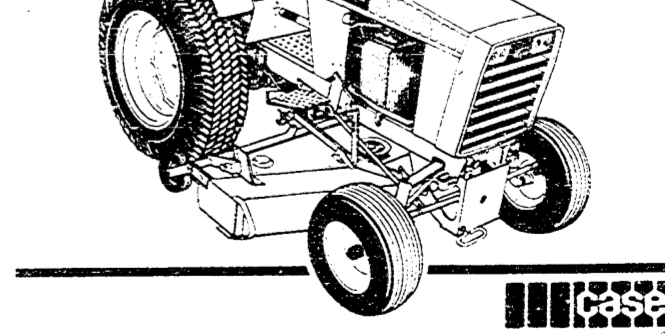
230 EAST MAIN MANCHESTER

NEW HOURS STARTING JULY 1st
8 am-5:30 pm Monday-Friday
8 am-2:30 Saturdays



From the CASE 8 hp to the CASE 16 hp

TOUGH!



K & W Equipment Inc.

11100 Chelsea-Manchester Rd. Manchester, Michigan
Phone 428-7666

Wedding Bells and Beautiful Brides



Every bride dreams of the perfect wedding . . . a day that she'll hold dear all through their lives together. Let us help with the plans for this happy day.

Wedding
ANNOUNCEMENTS
AND
INVITATIONS...

The
Manchester Enterprise

STOP IN AND SEE OUR FINE SELECTION

AGRICULTURE IN ACTION

MICHIGAN FARM BUREAU
LIVESTOCK

DON'T WASTE TALENT

(Guest editorial by Mike Rogers)

Could you manage without your wife? Could you feed the kids, do the laundry, mend the clothes, buy the groceries...? Well, too many farmers ARE managing without their wives. Not that they don't use her skill and expertise in running the household. They appreciate that if they had to pay someone to perform housework, it would be very high priced help indeed. But too many farmers are trying to do everything else themselves. They're not letting their wives contribute their talents to running the farm enterprise. Are two

heads better than one? They are if the wife has strengths and skills that can make up for the husband's weaknesses. No one has to tell you how difficult it is nowadays to run a successful farm. You can't afford not to draw upon all the talent and expertise your wife might have to offer...whether it's in bookkeeping, supply ordering or engine repair. There's another, more sobering reason for making sure your wife is also your farming partner. What if you die? Have you taken the time to train your wife and develop her skills so she could take over? There are all kinds of excuses for not involving your wife in the business. "She's not strong enough." Maybe so, but if strength was all that mattered in running a farm, you'd have the Incredible Hulk keeping the cash flow records. "She's not interested." Did you ask her? If you haven't, quit wasting time and talent. Not just yours. Hers.

Student Attends Fine Arts Camp

Attending Blue Lake Fine Arts Camp for the third summer session is Becky J. Broucek, 600 Adrian, Manchester, daughter of Mr. and Mrs. William Broucek. Blue Lake, which will host approximately 3,200 elementary through high school students this summer, offers instruction in a wide variety of fine arts. Located 15 miles north of Muskegon in the Manistee National Forest, the 14-year-old summer school of the arts has grown to be one of the largest facilities of its type in the United States. Students attending Blue Lake's third two-week session have the option of majoring in art, band, dance, jazz-rock ensemble, orchestra, piano or musical theatre. The third session is primarily for high school students.

Singles 25 And Up

If you enjoy dancing to good music, come and join the Tuesday Nite Singles at the American Legion Hall, Main Street, Ann Arbor, on August 7. Dance from Nine to Midnight to the music of Joe Wash. Refreshments are served.

Xi Epsilon Iota

Betty Herschelmann was given her pledge ritual during the traditional candlelight ceremony in the home of Sharon Stetler on Wednesday, July 25. Afterwards, members enjoyed dinner at Leutheuser's Restaurant in Saline.

Save Where You Get High Earnings Plus Liquidity.



The 5 1/2% Passbook Savings Account

This is the savings account everyone should start with and keep. Now it's better than ever because we have raised the interest return from 5 1/4% to 5 1/2% per annum. With quarterly compounding, it pays an effective annual rate of 5.614%. It pays you interest from day of deposit to day of withdrawal. Because you can add to or withdraw from it anytime, it provides the liquidity of funds you need for emergencies and opportunities.

Keep at Least Six Month's Wages in a 5 1/2% Passbook Savings Account

Every family needs liquidity to meet the emergencies that arise from time to time. . . large medical bills, job changes, home repairs. . . and the best way to achieve this liquidity is to maintain the equivalent of six month's wages in a 5 1/2% passbook savings account. Financial experts recommend it. . . so start building your reserve now at Great Lakes Federal Savings.

GREAT LAKES FEDERAL SAVINGS

Offices in: Ann Arbor, Battle Creek, Albion, Bellevue, Brighton, Chelsea, Coldwater, Dexter, Hastings, Jackson, Manchester, Marshall, Okemos, Richland, Saline, Ypsilanti
Member FSLIC



VAUDEVILLE!!!



Pictured are David Johnson, Carolyn Tjon and Owen Anderson. Photo by Bill Marschner.

DRUNK: (to a lady carrying a duck) Shay, where'd ya get the pig?
LADY: This is not a pig, it is a duck.
DRUNK: I was talkin' to the duck.
 A drummer ka-thunks as the audience groans. Out of the wings comes The Hook. In a flash of candy-striped coats, straw hats and garters, VAUDEVILLE!!! explodes on the Manchester stage, dazzling the old opera house audiences again for the first time in a half century. Beginning August 10,

singing the sweet strains of old-time favorite songs. And the drunks in the audience try to top the whole cast. VAUDEVILLE!!! has it all - buxom blonds, seedy comics, good guys, bad guys, glitter and good times. Appearing in the role of a cast of thousands will be the Black Sheep Repertory Theatre regulars: Owen J. Anderson, Tom Enmott, Mathew Thornton, Linda Hart, David Johnson and Carolyn Tjon. And, appearing for the first time on the Black Sheep stage, a secret featured performer.

Show times are 8:15 on Friday and Saturday and 4:00 on Sunday afternoons. VAUDEVILLE!!! runs August 10 through August 26 at the Black Sheep Repertory Theatre in historic Manchester, Michigan. For more information, phone (313) 428-9280.

Food Stamp Update

The Food Stamp Act of 1964 was revised and passed by Congress in October, 1977. Congress intended these changes to tighten eligibility criteria, to facilitate participation by eligible households, to strengthen program administration, and to reduce fraud and abuse.

The new procedures of the 1977 Food Stamp Act became effective March 1, 1979.

Notice

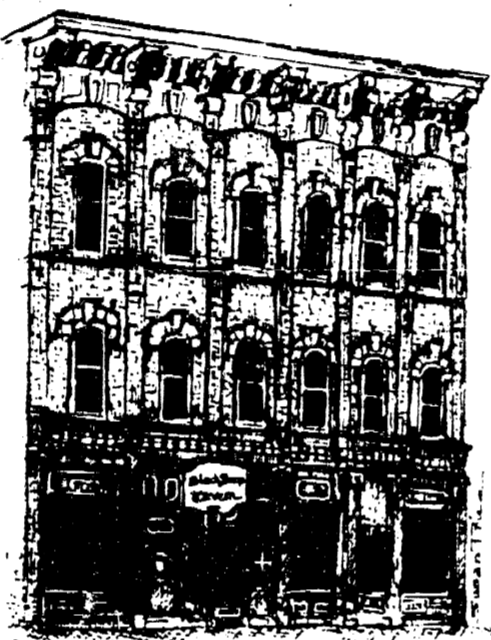
The Manchester Girl Scouts will be building a float for the Fair Parade. Check next week's Enterprise for time and place.

The Black Sheep Repertory Theatre

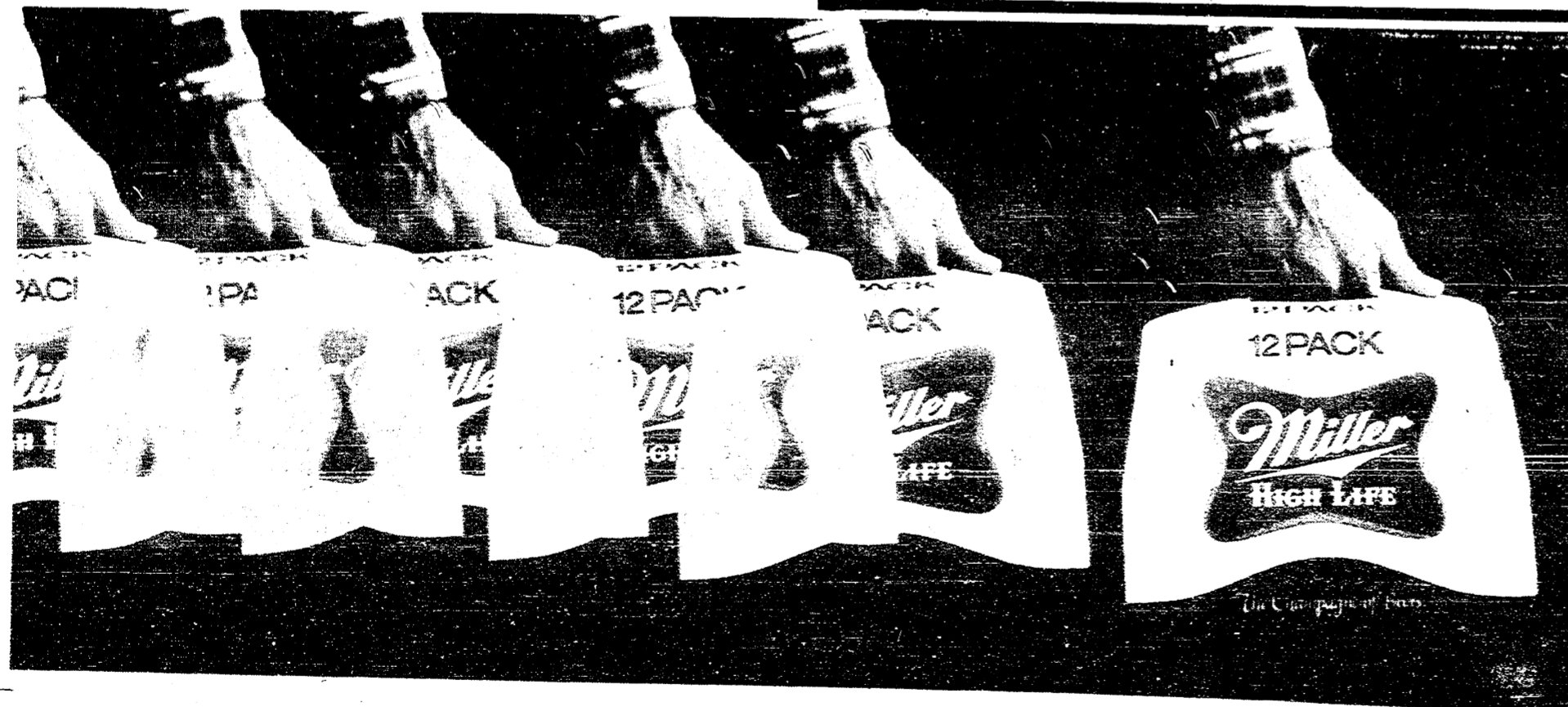
VAUDEVILLE!!!

AUGUST 10, 11, 12

Shows 8:15 p.m. 4:00 p.m. Sun.
 FOR RESERVATIONS AND INFORMATION, PHONE 313/428-9287 or 428-9280.



BLACK SHEEP TAVERN
 117 EAST MAIN ST. MANCHESTER, MICHIGAN
 PHONE 428-7000



Distributed By
 O & W Inc., Ann Arbor, Mich.

New carry-home 12 pack

TWELVE 12 OZ. BOTTLES.

Putts And Pars

MANCHESTER MIXED LEAGUE

Larry-Ann Becktel	59 1/2
Larry-Ruth Snyder	52 1/2
Simon-Lenore Steele *	46
Tom-Mary Kallewaard *	45
Keith-Judy Reed *	45
Mark-Sue Gistingier	45
Dorrey-Marilyn Lamb	44
Larry-Orly Kouba	43 1/2
Bob-Helen Popkey	43 1/2
Tom-Ruth Burch	42 1/2
Dennis-Cathy Herman	40
Milt-Liz Seward *	40
Mike-Nancy Spensley	39
Dick-Betty Fink	38 1/2
Don-Mary Ann Fielder	38
Gary-Angie Knauss	38
Pat-Sue DuRussel	37 1/2
Ray-Wanda Turb	36
Rod-Darcel Hall	35 1/2
Ted-Betty Curley *	34
Gale-Sue Koebbe	34 1/2
Lyle-Maxine Widmayer *	33 1/2
Don-Eleanor DuRussel	33 1/2
Guy-Debbie Gilbert *	29
Dave-Janice Little	25
Jack-Joyce Goughly *	25

*To be made up prior 8-3-79
 BALL WINNERS 7-22-79:
 #4 - L. Snyder.
 #5 - L. Becktel.
 #7 - M. Fielder.

MANCHESTER LATE LEAGUE

Seward-Rooney	176
Popkey-Stockwell	169.5
R. Walters-J. Walters	167
Steele-Milosh	167
Hinkley-Gallo	162.5
Bill Taylor-Russell	161.5
Gould Uphaus	161.5
Lamb-Koebbe	157
Knauss-Herman	154.5
Marrison-McGuire	154.5
Hamilton-Walton	151
Simmons-Scully	149
Mattoff-Hughes	144
Day-Roarke	141.5
Widmayer-Fielder	137.5
Taylor-Nief	134.5
Perkins-Moull	127
Blossom-Chapman	125
Daniels-Manwaring	123.5
Curley-Steele	119.5

Low w/h 0-10 Net 30, Lamb.
 Low w/h 11-20 Net 32, Walton.
 Closest to pin #5, Minick.
 Best Poker Hand 6-5's, Stockwell.

NEW CLARK LAKE 36

J. Wallace-T. Blossom	222 1/2
J. Schabile-J. Ahrens	209 1/2
R. Schaffer-A. Hannewald	208
C. Day-W. Frey	202 1/2
H. Holly-B. Bradley	197
D. Wolf-F. Jennings	192 1/2
B. Bunney-D. Petsch	191

VACUUM CLEANERS
ELECTROLUX
 Electrolux Sales and Service
 CALL
 JAMES COX
 MANCHESTER
 428-8444 or 428-8686

CHELSEA PLUMBING AND HEATING
 Reasonable Rates
 Gail Shears, Licensed Journeyman
 Garland DeVoe, Licensed Master
475-1037

WHY A CULLIGAN WATER SOFTENER WILL NEVER BE AN ORPHAN!

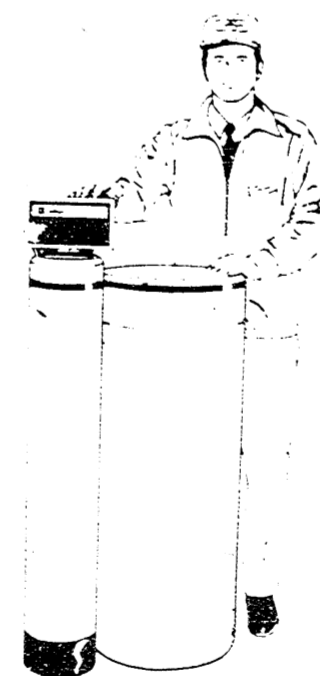
Because we will be here to take care of it if it needs care. You can trust our service... we've been in business for 30 years... you can depend on us.

A Culligan product is an extra-value because we service what we sell!

JUST CALL



662-5665
 2321 JACKSON AVE
 ANN ARBOR, MICH.



D. Steele-G. Stripp	191	B. Daniels-D. Manwaring	195 1/2
P. Minor-G. Brokaw	186	R. Little-D. Little	180 1/2
D. Conley-R. Melendy	184 1/2	J. Kemmer-T. Walter	180
J. Schaffer-L. Goodell	182 1/2	Low Gross, P. Fielder.	
T. Short-J. Wright	164 1/2	Low Net, P. Fielder.	
D. Southwell-D. Sayers	156	High Gross, R. Little.	
S. Bentschneider-E. Bailey	154	Closest to pin #3, D. Stockwell.	
D. Roberts-B. Roberts	153 1/2	Closest to pin #6, M. Daniels.	
B. Rhees-D. Jose	150 1/2		
B. Achtenberg-B. Padley	144		
K. Achtenberg-B. Padley Jr.	130		
Low w/h 0-10, R. Melendy (28).			
Low w/h 11-20, B. Padley Jr. - J. Ahrens (28).			
Closest to pin #6, J. Wright.			
Most fours - D. Steele (6).			

Attention All Athletes

Physicals for the 1979-80 school year will be given by Dr. Hwang at the High School on Thursday, August 2nd., at 10:00 a.m. and Friday, August 3rd. at the Middle School. Boys and girls that plan to participate on any sports teams or cheerleading squads this coming school year can receive the required physical at these times. Physical cards should be picked up at the high school office and filled out before the physical dates.

IN STOCK Mens - Womens

Shorts - Tank Tops - Tee Shirts
 Summer Slacks - Shoes
The Clothes Line
 134 EAST MAIN STREET
 MANCHESTER, MICHIGAN 48158
 PHONE 313-428-7775

FAHEY REALTY

OFFICE 215 EAST MAIN PHONE 428-9298

MANCHESTER TOWNSHIP - 160 acres remaining with a live stream, rolling hills, and frontage on four roads. Has been divided into 10 acre parcels. Call Don Limpert for appointment.

Income Property - Commercial building on Main Street. Fully rented. Serious inquiries only. Call Don Limpert.

Morgan Street - 130' x 181' vacant lot. Includes utilities. Cash or terms. Call Don Limpert.

Within Village Limits - Approximately 8 acres zoned single family residential. 720' frontage with water, gas, & sewer nearby. Call Don Limpert.

Within Village Limits - Large single parcel on corner of Duncan & Hibbard Street. 165' x 404' with all utilities. Zoned single family residential. Cash or terms. Call Don Limpert.

100 acres - Scenic rural home site in Sharon Township. This property is very hilly - ideal for the person who wants to build a home in one of the most beautiful locations in Washtenaw County. Shown by appointment.

Quality built three bedroom brick ranch on 10 acres. Full finished walkout basement with fireplace. Fully air conditioned. Hilltop view, yet close to the village of Manchester. \$127,900.00.

NEW LISTINGS

Secluded 5 acres perked, hilly and wooded, a lovely building site. 20 acres, beautiful building site with great view, has perked.

2-story frame, 3-4 bedrooms, nicely landscaped corner lot, large Maples, view of Raisin River, in neighborhood of fine homes, 2 story garage, gas heat, fully renovated. Mid \$50's. Call Ted Curley 428-8526.

Attractive 3 bedroom brick home in the village. Large living room with fireplace, first floor bedroom or study, dining room, full basement with 2nd fireplace. Large lot with mature trees. Two car garage. \$65,000.00.

7600 sq. ft. commercial building and two single family homes adjoining. Being offered for sale as one parcel. For information call Don Limpert.

Let us help you find a home, income property, or land to develop.

Don Limpert	428-7400	Melody Popkey	428-7967
Judy Fahey	475-2036	Jim Walkow	428-8120
James I. Fahey	428-7979	Ted Curley	428-8526
Dick Fahey	475-2036	John Fahey	428-8748

