

muskrats and from normal waterline to the top of the dam or to the top of the bank for woodchucks.

- Use soil cement in the top 6 inches of earth in the top 6 inches of earth from 3 feet below low waterline to 3 feet above normal water level for muskrats and from the normal waterline to the top of the bank or dam for woodchucks.
- Cover with vinyl coated chicken wire from 3 feet below low waterline to 3 feet above normal water level for muskrats and from the normal waterline to the top of the dam or bank for woodchucks.

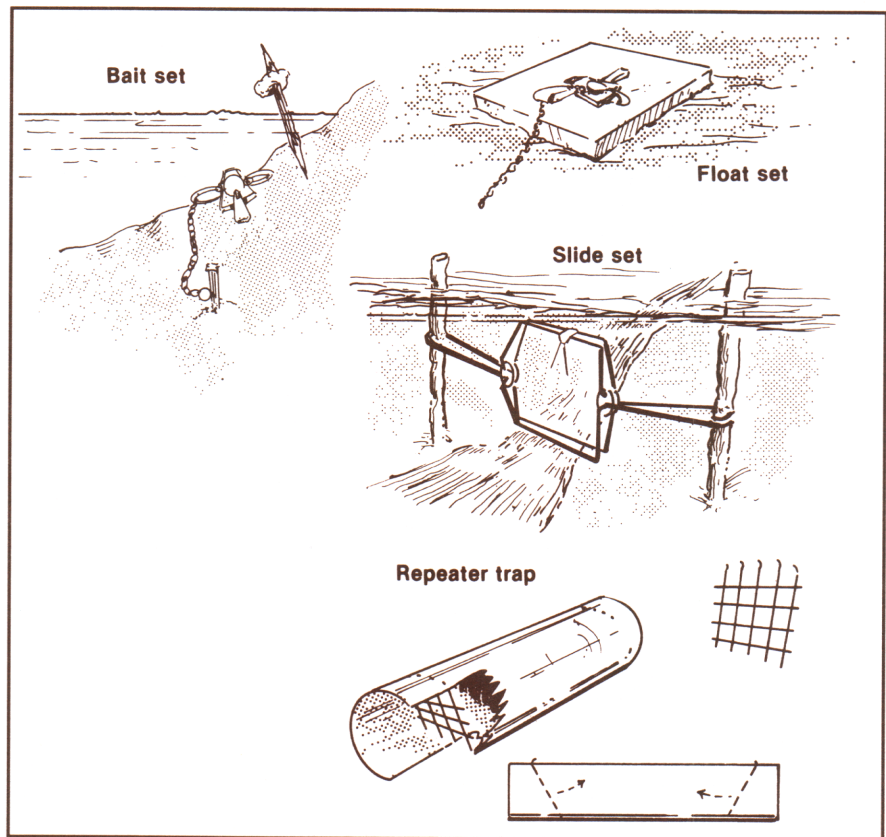
### Reducing Muskrat and Woodchuck Populations

Damage caused by muskrats and woodchucks can be greatly reduced by eliminating as many woodchucks and muskrats as possible, if the pond is not adjacent to extensive muskrat or woodchuck habitat. If the area surrounding the pond has extensive wetlands or extensive meadows, hayfields, or agricultural lands, then the animals that are eliminated will be replaced very quickly by new animals from the surrounding habitat, and damage will be reduced only slightly, if at all.

Muskrats and woodchucks can be eliminated by shooting, trapping, and fumigation. All of these methods require either a legal hunting license, trapping license, or a damage control permit issued by a DNR conservation officer. Because these regulations change occasionally, check the annual hunting and trapping regulations and consult your local conservation officer concerning special provisions for damage control.

### Shooting

Muskrats can be shot as they swim across the pond surface or forage along the edge of the water especially in the early morning and late evening. For safety reasons, use a shotgun loaded with shells containing No. 1, 2, 3, or 4 shot. Muskrat shooting requires a damage control permit. Woodchucks can be easily shot as they forage around their burrow openings throughout the day except in the middle of an extremely hot, sunny day. Since it is usually

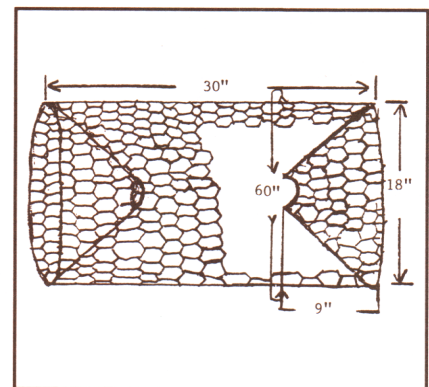


Various types of trap sets for removing muskrats.

difficult to get within shotgun range of a woodchuck, shooting usually requires a rifle. Woodchuck shooters need either a hunting license or a damage control permit.

### Trapping

The easiest way to trap muskrats and woodchucks is to use a body gripping trap that kills the animal instantly. These traps, called conibear traps, are placed directly over the burrow entrance or along runways or in areas where muskrats are digging into the bank for underground roots, bulbs, etc. When the animal tries to pass through the trap, the trap is set off and the animal is instantly killed. Use conibear trap size 110 for muskrats, 120 for woodchucks less than ten pounds, and 160 for woodchucks over ten pounds. A trapping license or damage control permit is required. When muskrats are trapped under a trapping license, all trapping regulations must be obeyed. If leg hold traps are used to catch muskrats, they can be set as



Turtle trap.

bait sets, slide sets, float sets, or under-ice sets, but be certain to fasten traps to stakes placed in deep water so muskrats quickly drown and don't twist or gnaw feet off and escape. Again, all sets must be made in accordance with trapping regulations if done under a trapping license. If you obtain a damage control permit for use on your own land,