



Figure 6. Traditional gutter cleaners work well in a solid manure system.

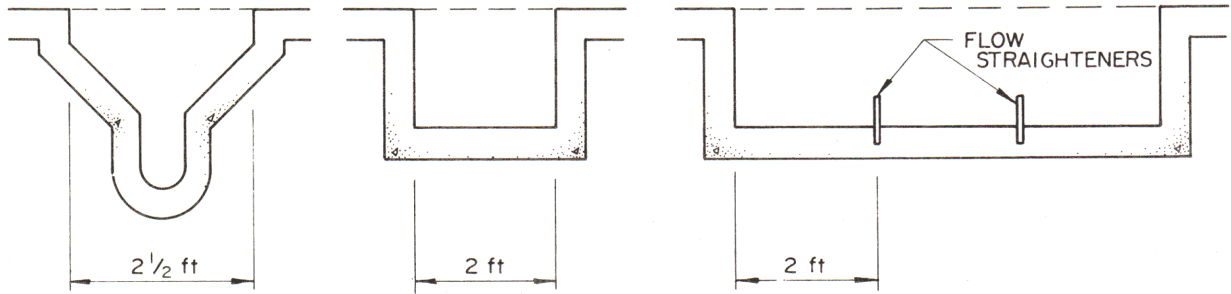


Figure 7. Y or rectangular-shaped gutters used in gravity-drain liquid manure systems.

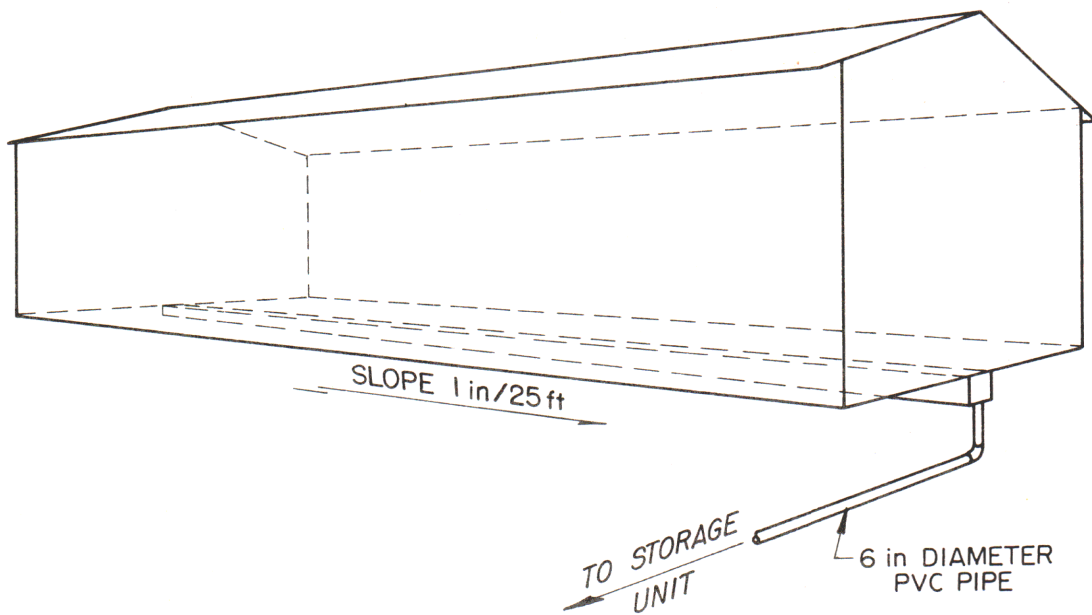


Figure 8. Slope of gutters in a gravity-drain system.