

Figure 1. Arrangement of 3 rows of crates or 2 rows of pens in a typical dairy barn.

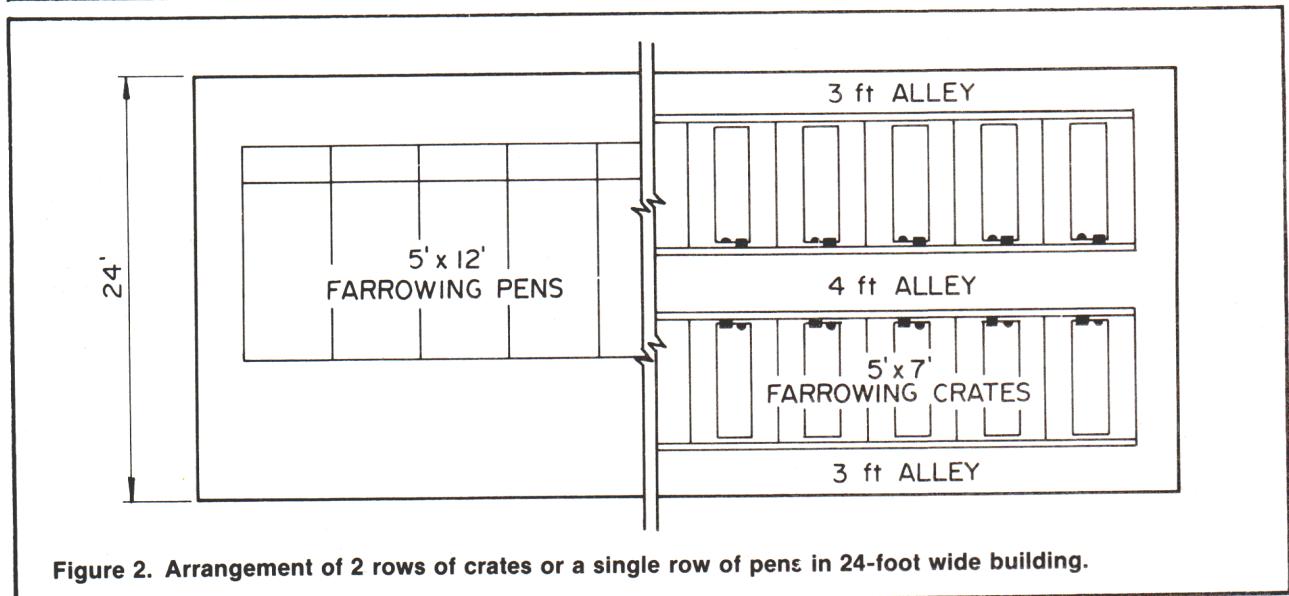


Figure 2. Arrangement of 2 rows of crates or a single row of pens in 24-foot wide building.

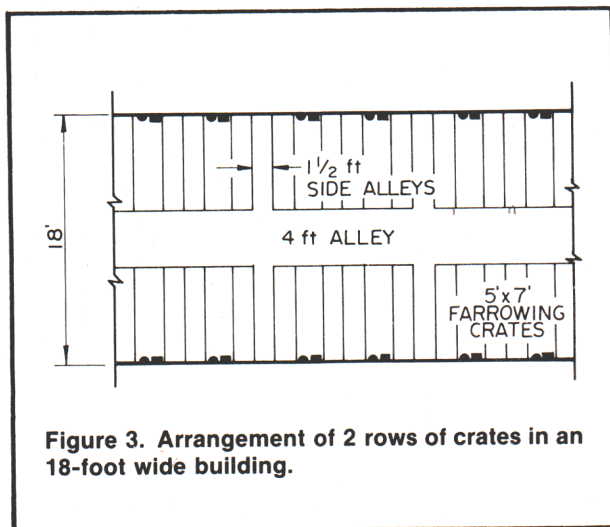


Figure 3. Arrangement of 2 rows of crates in an 18-foot wide building.

of crates from a lower alley. However, this problem can be solved by using a homemade movable ramp.

The layout of farrowing crates or pens in a remodeled facility is a compromise between how easily manure, feed, and animals can be handled and the maximum use of the available space. It is generally assumed that more labor per sow is required in a remodeled facility than in a new facility. Many times producers try to squeeze in an extra stall or two which makes their labor requirements excessively high compared to those where "extra" stalls were left out.

Manure Handling

The method of manure handling is also an important consideration in the remodeled farrowing facility. Manure can be handled as a solid or a liquid. When handled as a solid, some type of bedding is required. Most liquid systems have storage facilities (capacity for 6 mos. use), which adds to the initial investment.