

## LM REPORTS

# New skid-steer loaders can pay for themselves in heavy-duty workloads

**Versatility a key to overall landscaping effectiveness of these machines.**

■ It's no secret why skid-steer loaders are popular in the golf and, especially, landscape industries. It's their versatility. Besides being excellent loaders that can fit into relatively small places where bigger equipment can't, here are some other uses for the machines, if you've got the right attachments:

- stump grinder
- tiller
- snowblower
- landscape rake
- pallet fork
- box scraper
- trencher
- rock-picker
- auger
- trencher
- scarifier
- backhoe

The skid-steer loaders listed below come in every size from small 19 hp engine-driven units with lifting capacities beginning at 750 pounds to the big heavy-duty machines with engines that deliver upwards of 60 hp and lifting capacities over one ton.

A good variety of attachments are avail-



Bobcat with Harley rake attachment

able, many of which are made by the original equipment manufacturers listed below. But there are more, including these:

**Glenmac/Harley** makes a line of attachments, including its Model S-6 Power Box Rake that can windrow thrown material to the left or right of the rake. Bi-angular construction permits an operator to angle the single roller and twin barrier bar up to



Thomas loader with Rock Hound attachment



JCB's most popular skid-steer

20 degrees left or right of center.

**DuAl Manufacturing** has both a skid digger (the economical Model 720 digging attachment) and three different models of backhoes (Models 1015, 1025, 1035), along with a line of trenchers. The skid digger can go 72 inches deep with 185-degree bucket rotation.

*more on next page*

## SKID-STEER LOADER SPECIFICATIONS

Model	Dumping Height	Dump Reach	Forward Speed	Lift Capacity	Breakout Force	Tipping Load	Engine Size
Bobcat 753	109.1"	n/a	n/a	1,300 lbs.	n/a	2,600 lbs.	40 hp
Bobcat 763	114.5"	n/a	n/a	1,500 lbs.	n/a	3,000 lbs.	46 hp
Bobcat 773	115"	n/a	n/a	1,700 lbs.	n/a	3,800 lbs.	46 hp
Bobcat 853	119.6"	n/a	n/a	1,700 lbs.	n/a	n/a	n/a
Case 480FLL	101"	27"	21.9 mph	4,572 lbs.	5,185 lbs.	n/a	69 hp
Deere 3375	74.8"	21"	5.8 mph	750 lbs.	1,400 lbs.	n/a	19 hp
Deere 4475	87.9"	20.8"	6.5 mph	1,450 lbs.	2,600 lbs.	n/a	32 hp
Deere 6675	90.4"	28"	7.3 mph	2,000 lbs.	3,712 lbs.	n/a	45 hp
Deere 7775	90.4"	28"	7.4 mph	2,000 lbs.	3,712 lbs.	n/a	52 hp
Ford-NH 464, 465	87.8"	24"	6.6 mph	1,450 lbs.	3,405 lbs.	2,760 lbs.	30 hp
Ford-NH 565	90"	28"	7.1 mph	2,100 lbs.	3,712 lbs.	3,370 lbs.	40 hp
Ford-NH 665	90"	28"	7.1 mph	2,100 lbs.	3,712 lbs.	3,410 lbs.	50 hp
JCB 150	89"	27"	11 km/hr.	3,570 lbs.	1,985 lbs.	1,000 kg.	43 hp
JCB 165	88"	26"	11 km/hr	3,570 lbs.	3,085 lbs.	1,300 kg.	43 hp
Mustang 920	84.5"	19.3"	4.5 mph	850 lbs.	1,800 lbs.	1,700 lbs.	19 hp
Mustang 930A	86.5"	17.5"	5.7 mph	1,000 lbs.	1,975 lbs.	2,000 lbs.	28 hp
Mustang 940	88.5"	21.3"	6.4 mph	1,350 lbs.	4,100 lbs.	2,700 lbs.	38 hp
Mustang 960	92.7"	27"	6.8 mph	1,700 lbs.	5,050 lbs.	3,400 lbs.	57.5 hp
Thomas T-835	69"	14.5"	5.4 mph	800 lbs.	2,200 lbs.	1,800 lbs.	19.8 hp
Thomas T-103	87.8"	24"	5.4 mph	1,000 lbs.	3,250 lbs.	n/a	31.4 hp
Thomas T-133	88.3"	24.3"	6.2 mph	1,300 lbs.	3,260 lbs.	n/a	43 hp
Thomas T-173HL	106.8"	18.8"	7.3 mph	1,700 lbs.	n/a	3,400 lbs.	52 hp
Thomas 203HD	94.2"	29.2"	7.3 mph	2,050 lbs.	5,100 lbs.	4,100 lbs.	52 hp
Thomas-233HD	91"	25.3"	7.7 mph	2,300 lbs.	4,860 lbs.	n/a	62 hp

n/a = not available at presstime

Source: LM mall/phone survey, October 1994





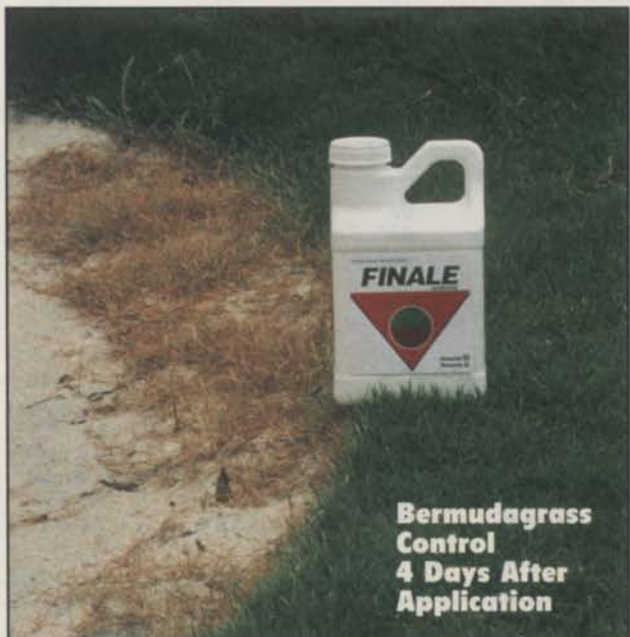
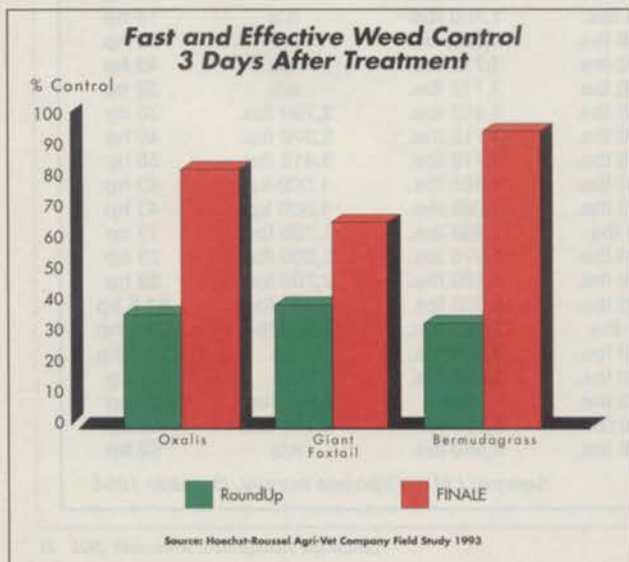
# NEW FINALE™ HERBICIDE WORKS.

## FINALE. KILLS WEEDS IN 1 TO 4 DAYS.

Seeing dead weeds proves its effective control. Finale™ gives results in as few as 1 to 4 days, versus the 7 to 14 days required with Roundup®. So why wait when you can use Finale?

## FINALE. EFFECTIVE BROAD SPECTRUM CONTROL.

A nonselective herbicide, Finale provides effective control of broadleaves, grasses, sedges, and woody species.







# TWICE AS FAST AS ROUNDUP®!



## **FINALE. ECOLOGICAL FEATURES.**

Finale degrades rapidly\* in the soil into naturally occurring compounds. It has no soil residual activity and there is no root uptake.

## **FINALE. BECAUSE RESPONSIBLE VEGETATION MANAGEMENT INCLUDES THE ENVIRONMENT.**

Circle No. 101 on Reader Inquiry Card

**Hoechst**   
**Roussel** 

\* Under natural conditions the half-life of Finale in soil and water (DT50) is between 7 and 20 days, depending on temperature, aerobic conditions and microflora.

Follow label directions carefully. Roundup is a registered trademark of Monsanto Company. Finale is a trademark and the name and logo HOECHST are registered trademarks of Hoechst AG. The name and logo ROUSSEL are registered trademarks of Roussel Uclaf S.A.

Marketed by Hoechst-Roussel Agri-Vet Company,  
Somerville, NJ 08876-1258. © 1994





**Mustang skid-steer loader in action**



**John Deere units carry up to 2000 pounds, depending on model**



**Thomas's Swinger skid steer**

To obtain more information, use our easy Reader Service Card and circle the following numbers. For:

- Bobcat . . . . .Circle No. 250**
- Case . . . . .Circle No. 251**
- John Deere . . . . .Circle No. 252**
- Ford-New Holland .Circle No. 253**
- JCB . . . . .Circle No. 254**
- Mustang . . . . .Circle No. 255**
- Thomas . . . . .Circle No. 256**
- Glenmac/Harley .Circle No. 257**
- DuAl Mfg. . . . .Circle No. 258**

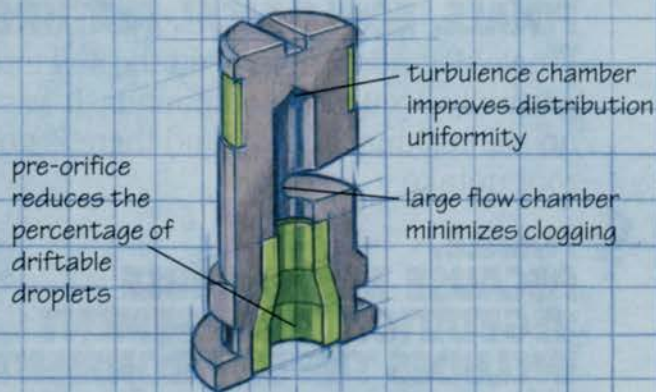
—Jerry Roche



**Case's 1838 has a rated operating load of 1300 pounds**



**Ford-New Holland skid-steers are available with 30- to 50-hp engines**




# CAUSE

# EFFECT

You've invested in chemicals, and you want the most out of that investment. But you need to protect your turf and sensitive florals, too. Thanks to a special turbulence chamber and pre-orifice in our Turbo FloodJet® tip, you no longer have to sacrifice effective coverage for drift control – or vice versa. The Turbo FloodJet tip. There's no better way to spray.

**Free Drift Management Tool** Get a specialized slide rule that helps applicators choose the right tip to manage drift for each spray situation – free! Just write to: Drift Tip Selector, Spraying Systems Co., P.O. Box 7900, Wheaton, IL 60189-7900.

 **Spraying Systems Co.**  
P.O. Box 7900, Wheaton, IL 60189-7900

**TeeJet**  
The Drift Control Tip

Circle No. 123 on Reader Inquiry Card





**bobcat**  
**Do It All**

Write or call for a free 32-page BobCatalog Buyer's Guide.



With more than 30 attachment choices, you *can* Do It All. Bobcat® attachments are designed, tested and manufactured to Melroe quality standards, and backed by our worldwide dealer network.

**Melroe Company**  
 P.O. Box 6019  
 Fargo, ND 58108-6019 • (701) 241-8700





# JUST AD



**Roundup**  
Water Soluble Granule  
Herbicide by **Monsanto**  
**DRYpak**





# ROUNDUP WATER

## Same great weed control of Roundup®, now in premeasured packs.

Introducing Roundup® Dry Pak — a water-soluble granular formulation in premeasured packs (25 per box). These handy little packs are convenient to store, ration out, carry and use. Just pour in one pack for each finished gallon of spray solution you want, then fill with water.

Roundup Dry Pak measures faster, easier and with more accuracy than liquid herbicides — saving you time and reducing waste. It also eliminates the mess of measuring liquid herbicides. As a result, Dry Pak poses less risk of exposure. If any of the granules would spill, they're simple to clean up.

So if you thought regular Roundup gave you great peace of mind, just wait until you try Roundup Dry Pak. It provides the beautiful results and environmental profile that made Roundup the most trusted herbicide in

the world. Plus, it's packed with a lot of extra benefits, just for good measure.

To find out how Roundup Dry Pak can add convenience to your program, call 1-800-332-3111.



ALWAYS READ AND FOLLOW LABEL DIRECTIONS FOR ROUNDUP DRY PAK.

Roundup® is a registered trademark of Monsanto Company.  
© Monsanto Company 1994  
IND-47084 1/94





## Soil problems? Try an 'amendment'

**Though they come in all shapes and sizes, each has specific functions. Here are some available products and what they can do for you.**

■ Soil problems are the bane of landscape managers everywhere. In most turf textbooks, entire chapters are devoted to soil characteristics and the problems they create in growing healthy turf.

When problems arise with soil composition, turf managers might turn to a class of products known as "soil amendments," which can modify soil characteristics in any number of positive ways.

Soil amendments can modify:

- 1) soil texture
- 2) soil structure
- 3) the soil's chemical properties
- 4) the soil's long-term stability
- 5) availability of nutrients, water, etc.

to the plant

- 6) amount of other treatments (fertilizer, pesticides) required
- 7) cost of maintaining healthy plants

Soil amendments are used to increase air porosity, change permeability, or increase water retention. Many contain micronutrients or in some way benefit nutrient release and/or overall plant health.

Soil amendments come in as many different forms as there are uses. They range from sand—found naturally in the environment—to many specialty products like super-absorbent polymers.

Some common types of soil amendments are **inorganic**, usually in granular form. They can improve pore space, water retention, percolation and infiltration, and correct acidity. The most commonly used coarse amendment is sand because of its effectiveness, stability and low cost.

### BENEFITS OF SOME SOIL AMENDMENTS

Calcined clay	improves	pore space water retention water infiltration water percolation
Lime	improves	soil chemical properties (corrects) acidity
Organic amendments (compost, peat, etc.)	improve	soil structure pore space nutrient retention water retention soil resiliency cation exchange capacity
Processed mica	improves	water retention pore space cation exchange capacity
Sand	improves	aeration water infiltration water percolation
Wetting agents	improve	water infiltration water retention

ments are calcined clay (*Dialoam, Turface, Terra-Green*), processed mica (vermiculite, *Terralite*), lime (*Limestone F, Lime Crest*), perlite, diatomite, ureaform aggregates (*Hydromul, Styromul*), clinoptilolite zeolite (*Aquasand*), expanded shales (*Haydite, Weblite, Idealite*), activated charcoal, pumice, slag, fly ash, and cation and anion exchange resins.

Another kind of soil amendment is **organic** in nature. They improve soil structure, aeration, nutrient and water retention, resiliency, aggregation and cation exchange capacity, and increase the population of beneficial microorganisms.

(*Canadian Sphagnum Peat Moss, Partac Peat, Baccto*), humus (*Humate, Liquid Humus, Iron Sea Humus, Sea Humus, New Mexico Memefee Humate*), manure, sludge, sawdust, tree barks and fibers (*Top N' Turf*), seaweed (*SeaGreen*), kelp (*Potent Sea, Sea Green*), activated charcoal, poultry litter, peanut and pecan hulls, corn-cobs, cotton burr compost, rice hulls, and vegetable wastes.

Another type of soil amendment is called the **surfactant** or **wetting agent**. They are used to improve water infiltration and water retention. Good examples are *Aqua-Gro, Hydrowet, Lescowet*, and



WHATEVER YOUR TURF SPECIALTY...THIS IS THE CONFERENCE YOU CAN'T MISS

# This December, Get to the Heart of Your Industry

Discover what's really going on in turf...from top experts in every specialty.

You'll get up to speed on the latest developments by attending the most diversified and comprehensive educational program anywhere.

Only the OTF Conference shows you all the vital signs of your industry in four fast-paced days of networking, education, and training.

And only OTF brings so many key suppliers together for

• Lawn Care

• Golf Turf

• Sports Turf

• Grounds Management

you...ready to show you ways to do your job better, faster, and more economically.

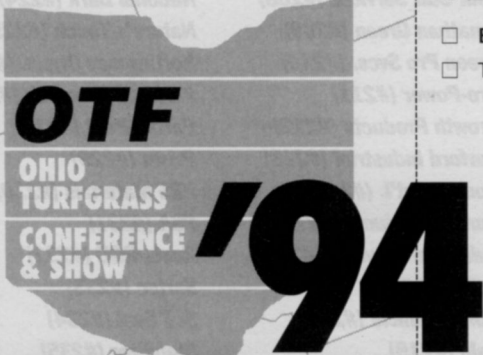
Decide now to get to the heart of your industry this December. Come to Columbus and join thousands of your fellow professionals from across the midwest and across the country. This is the one **not** to miss!

**Contact OTF today for your registration information.**



OTF

## OHIO TURFGRASS CONFERENCE & SHOW December 6-9 • Columbus, Ohio



COLUMBUS, OHIO • DECEMBER 6-9, 1994

**YES!** Please send me more information for...

- Exhibiting at the OTF Show     Attending (pre-registration)
- The benefits of Membership in the Ohio Turfgrass Foundation

Name \_\_\_\_\_

Company \_\_\_\_\_

Street Address \_\_\_\_\_

City, State, Zip \_\_\_\_\_

Phone \_\_\_\_\_

Fax \_\_\_\_\_

Detach and mail to: The Ohio Turfgrass Foundation, P.O. Box 14824, Columbus, OH 43214 • Phone: 614-261-6750 • FAX: 614-261-1242



*Terra-Sorb.*

In some cases, **compost materials** are also considered soil amendments. They are used to improve soil structure and water retention.

Other types of soil amendments:

- **soil conditioners,**
- **polymers** (like *Krilitum* for reducing erosion, *Terra-Sorb*, *StockSorb*),
- **sewage sludge** (for enhancing soil texture, improving aeration, infiltration and water-holding capacity, like *Earthmate*);
- **clay balls** (for infiltration, nutrient and moisture retention),
- **starch polymers** (like *Super-Slurp* for water retention), and
- **mulches** (for temperature stability, less water evaporation).

Following is a partial list of the many soil amendments available.

—Jerry Roche

## Soil amendments

**Accuwet:** (see Lescowet)

**Actosol:** an organic humic acid with fertilizer additives that improves soil texture, promotes microorganism activity and increases moisture retention. (Arctech)

**Agroroots:** a kelp-based plant stimulant that promotes root growth and plant vigor. (Agro-Tech 2000)

**Aqua-Gro:** non-ionic organic wetting agent that alleviates localized dry spots and compaction, promotes nutrient uptake. (Aquatrols)

**Aquasand:** a form of zeolite (volcanic ash) that absorbs ammonium and other soil impurities, absorbs and releases moisture for less watering, and prevents root rot. (Creative Curb)

**Axis:** made from diatomaceous earth that reduces watering requirements, increases aeration, reduces compaction and improves percolation. (Agro-Tech 2000)

**Baccto Peat Moss:** comes in either sphagnum or horticultural mixes. (Michigan Peat)

**Back to Earth:** cotton burr compost products that can be used as soil conditioners and/or topdressings. (Back to Earth Resources)

**Beam Clay:** a baseball diamond surfacing product. (Partac Peat)

**BioGroundskeeper:** (Sustane)

**Break-Thru:** a non-ionic wetting agent/surfactant that increases the effectiveness of pesticides. (Agro-Tech 2000)

**Canadian Sphagnum Peat Moss:** (Conrad Fafaro)

**Dakota Peat:** (Dakota Peat & Blenders)

**DryRoots Greens Grade:** an organic soil conditioner that increases root growth and microbial activity. (Roots/RGB)

**Earthmate:** a natural organic sewage

sludge that can be used as a mulch but retains moisture better. (PRS Materials)

**Essential:** a product derived from plant extracts and hydrolyzed organic protein that stimulates the natural breakdown of organic matter in the soil. (Growth Products)

**Gro-Power:** a soil conditioner, with or without soil penetrant. (Gro-Power)

**Grozyme III:** a product that can activate locked nutrients. (Master Turf)

**Gypsum-F:** a flowable product that increases permeability and lowers sodium. (W.A. Cleary)

**Humate Ag, LS and Stress Reliever:** soil conditioners and biostimulants made of slow-release, granular humic acids. (Humate International)

**Hydro Gel:** a plant watering aid that absorbs and holds several hundred times its weight in water. (Finn Corp.)

**Hydro Source:** a water-absorbing, synthetic polymer that increases long-term water-holding capacity. (Jonathan Green)

**Hydrowet:** a blend of synthetic surfactants that improves water infiltration into the soil profile, thus increasing the moisture content of the soil. (Kalo)

**Iron Sea Humus:** cold-processed seaweed plus humic acid plus iron that enhances root growth. (Humus Products)

**IronRoots:** a biostimulant that promotes root growth and color. (Roots/RGB)



**Kick:** a natural humic acid-based wetting agent with kelp, iron complex and sugars that stimulates root development and helps release tied-up nutrients. (Earthworks)

**Lescowet and Accuwet:** surfactants plus soil conditioners (87% and 25% active ingredient, respectively) that reduce water use, eliminate localized dry spots and encourage deep rooting. (Lesco)

**Limestone-F:** a flowable limestone that neutralizes pH. (W.A. Cleary)

**Liquid Humus:** a 12% concentrate humic acid soil conditioner and root stimulant. (Humus Products)

**Luma-pHix:** a highly concentrated chelated liquid calcium to treat calcium-deficient soils, or soils where pH is high from excessive sodium. (Aabaco)

**Luma-Plex:** a concentrated liquid humic acid that acts as a chemical aerifier and organic input to eliminate compaction and flush salt out of the rootzone. (Aabaco)

**Marine-Gro:** an organic conditioner and stimulant that improves plant root structure and helps turf resist stress. (Agro-Tech 2000)

## Basic suppliers...

For more information about a specific company's products, please circle the number on LM's Reader Service Card that corresponds with the number listed below:

**Agro-Tech 2000 (#190)**

**Aimcor (#191)**

**Amereq (#192)**

**Aquatrols (#193)**

**Arctec (#194)**

**Back to Earth (#195)**

**Bonide (#196)**

**W.A. Cleary (#197)**

**Conrad Fafaro (#198)**

**Creative Curb (#199)**

**Dakota Peat (#200)**

**Doggett (#201)**

**Earthgreen (#202)**

**Earthworks (#203)**

**Emerald Isle (#204)**

**Evans Landscaping (#205)**

**Finn Co. (#206)**

**Floratine Products (#207)**

**Four Star Services (#208)**

**Jonathan Green (#209)**

**Green Pro Svcs. (#210)**

**Gro-Power (#211)**

**Growth Products (#212)**

**Harford Industrial (#213)**

**Humate Int'l. (#214)**

**Humus Products (#215)**

**Industrial Services (#216)**

**JaiTire (#217)**

**JRM Chemical (#218)**

**Kalo (#219)**

**Kurtz Brothers (#220)**

**Lesco (#221)**

**Master Turf (#222)**

**Michigan Peat (#223)**

**National Bark (#224)**

**Nature's Touch (#225)**

**Northwoods Organ. (#226)**

**Parkway Research (#227)**

**Partac Peat (#228)**

**Prism (#229)**

**PRS Materials (#230)**

**PSA (#231)**

**Roots/RGB (#232)**

**Sartec (#233)**

**Soil Seal (#234)**

**Stabilizer (#235)**

**Stockhausen (#236)**

**Sustane (#237)**