

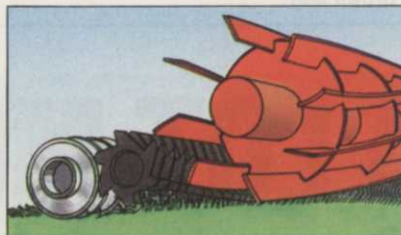


# Stroke for stroke, the best in the business.

## Greens King® IV Diesel.

Now, you can approach the green with the finest tournament-quality triplex greens mower and cut your fuel costs virtually in half. Because the innovative Jacobsen Greens King family introduces another industry first: *Diesel*.

The new 16½-hp. diesel Greens King IV provides more power for climbing and cutting. Plus, this diesel model has many standard features you'll only find as options elsewhere. Like full floating and pivoting reel units that steer through turns without scuffing or marking; full hydraulic drive with dynamic braking for greater control; just let up on the pedal to slow down; and, variable speed control which allows the operator to select the precise ground speed and frequency of cut for greens while still allowing full speed for transport.



By cutting horizontal runners and removing thatch, the patented Turf Groomer™ attachment creates faster, truer and healthier greens *without* lowering height of cut.

If you prefer a gas engine, both 14-hp. and 16-hp. models are available. Giving you the broadest selection of riding greens mowers in the industry. With more options, to help you meet your greens care needs more precisely.

Like the revolutionary, patented Turf Groomer™ attachment for faster, truer greens. *Without* lowering height of cut.

And, the unique *performance monitor* which digitally displays all speeds, including cutting frequency, so the operator can evaluate mowing performance, instantly.

What's more, every Greens King is backed by the most extensive support network in the industry. So, contact your Jacobsen distributor to arrange a free demonstration. And see for yourself why the Greens King family is the best in the business.

Lease and finance plans available. Jacobsen Division of Textron Inc., Racine, WI 53403. Telex: 264428.

Greens King and Turf Groomer are trademarks of Jacobsen Division of Textron.

**JACOBSEN**  
**TEXTRON**

Jacobsen Division of Textron Inc.

## Equipment

continued

### Topdressing Brush

Standard Golf Co

### Tractors & Attachments

Alamo Group  
Ariens Co  
Arizona Power Equipment Co  
Bingham Equipment Co  
Bombardier Inc  
Roscoe Brown Corp  
Brown Mfg  
Bunton Co  
J I Case  
Citrus Systems Inc  
Earl J Crane Inc  
Cushman-Ryan/OMC Lincoln  
Custom Products of Litchfield Inc  
Deere & Co  
Ford Tractor Operations  
Fuerst Brothers Inc  
Gravely International Inc  
Homelite Div Textron Inc  
Industrial Leasing Corp  
Ingersoll Equipment Co  
International Harvester Co  
Kubota Tractor Corp  
Massey-Ferguson  
McMillen Div  
Mitsubishi AG Machinery Co Ltd  
Morbark Industries Inc  
MTD Products Inc  
Howard Price Turf Equip  
Simplicity Mfg Inc  
Steiner Corp  
United Farm Tools Inc  
Wheel Horse Products Inc  
White Outdoor Products Co  
Worksaver Inc  
Yazoo Mfg Co

### Trailers

Aer-Way  
Arizona Power Equipment Co  
Bingham Equipment Co

John Blue Co  
Bock Products  
Brown Mfg  
Broyhill Co  
Charles Machine Works Inc  
Country Mfg Inc  
Earl J Crane Inc  
Howard S Crane Inc  
E-Z-Go Textron  
Ferguson Equipment & Supply  
Giant Vac Mfg Inc  
Great Northern Equipment Co  
Handy Mandy Mfg  
Holsclaw Brothers Inc  
Lifetime Products  
Magline Inc  
Newman Tree Movers Ltd  
Olathe Mfg Inc  
Precision Products Inc  
Prentek Corp  
Promark Products Inc  
Ravens Metal Products Inc  
Smithco Inc  
Snowco Inc  
Son Shine Nursery  
Steiner Corp  
Wells Cargo Inc  
Westheffer Co

### Traps, Animal

International Reforestation Suppliers Inc

### Tree Braces

Foresight Industries Inc  
Karl Kuemmerling Inc  
V I T Products

### Tree Cutters

Brown Mfg

### Tree Injector

Arborchem Products Co  
B & G Equipment Co  
Karl Kuemmerling Inc  
J J Mauget Co  
Moyer & Son Inc  
Pro-Turf Mfg Inc  
Richardson Great Northern Mfg Inc  
Source Technology Biologicals Inc  
Trebtor Corp  
Westheffer Co

### Tree Movers, Spades

Big John Tree Transplanter Mfg Inc  
Burkeen Mfg Co  
Caretree Systems Inc  
Clegg Nursery Equipment  
Industrial Leasing Corp  
Karl Kuemmerling Inc  
Newman Tree Movers Ltd  
Son Shine Nursery  
Turner International Eng Ltd  
Vermeer Mfg Co

### Tree Protectors

American Excelsior Co  
Foresight Industries Inc  
International Reforestation Suppliers Inc  
V I T Products

### Tree Wrap

American Excelsior Co  
Bartlett Mfg Co  
BASF Corp  
Ross Daniels Inc  
General Bandages Inc  
International Reforestation Suppliers Inc  
Karl Kuemmerling Inc

# CUT A LOT MORE TURF

Loaded with features, the newest generation of highly maneuverable Power Quint mowers virtually guarantee you decades of the finest turf care

with even small PTO-equipped tractors. Adjustable reels work against heavy duty bedknives in individual cutting units that truly float over uneven terrain. And when the job's finished, this



© 1986, National Mower Co.

**ASK ABOUT OUR NEW VERTI-CUT UNITS!**



## Equipment

continued

### Trenchers

American Trencher  
Auburn Consolidated Industries Inc  
Brown Mfg  
Burkeen Mfg Co  
Bush Hog  
Charles Machine Works Inc  
Henderson Mfg  
Industrial Leasing Corp  
Melroe Co  
Midmark  
MoTrim Inc  
Olathe Mfg Inc  
Seaman Parsons Corp  
Vermeer Mfg Co

### Trimmers

Altec Industries Inc  
Arizona Power Equipment Co  
Asplundh Safety Equipment Co  
Bartlett Mfg Co  
Beaird-Poulan/Weed Eater  
Buck Haven  
Bunton Co  
DOB Distributors  
Echo Inc  
Green Machine Div HMC  
Hoffco Inc/Comet Industries  
Homelite Div Textron Inc  
Lawnboy Prod Group  
Lesco Inc  
McCulloch Corp  
Shindaiwa Inc  
Snapper Products Equipment  
Solo Inc  
Tanaka USA  
Tecfor Inc  
Toro Co Commercial Prods Div  
Winkler Hydraulics  
Yazoo Mfg Co

### Trucks/Truck Bodies

Altec Industries Inc

Arbortech/A Scott Fetzer Co  
Bock Products  
E-Z-Go Textron  
Ferguson Equipment & Supply  
Handy Mandy Mfg  
Hi-Ranger Inc  
Industrial Leasing Corp  
International Reforestation Suppliers Inc  
Multitek Inc  
Nissan Motor Corp  
Pitman Div  
Prentek Corp  
Pro-Turf Mfg Inc  
Schodorf Truck Body & Equipment Co  
Strong Ent Inc  
Supreme Corp  
Winkler Hydraulics

### Turf Blocks

### Vacuums

Arizona Power Equipment Co  
Atwater Strong Div  
Beaird-Poulan/Weed Eater  
Billy Goat Industries  
Brouwer Turf Equipment Ltd  
Central Quality Industry Inc  
Echo Inc  
E-Z Rake Inc  
Giant Vac Mfg Inc  
Ingersoll Equipment Co  
McCulloch Corp  
Milwaukee Electric Tool Corp  
MTD Products Inc  
Ransomes Inc  
Simplicity Mfg Inc  
Snapper Products Equipment  
Turf Vac Corp  
White Outdoor Products Co  
Woods Div Hesston Corp  
Yard Vac Prods Inc

### Vehicle Seats

Grand Rock Co

### Vehicles, All-Terrain

Roscoe Brown Corp  
Howard S Crane Inc  
Carl Heald Inc  
Industrial Leasing Corp  
Pac-Trac  
SNS Motor Imports Inc  
Timberjack Inc  
Yamaha

### Vehicles, Electric

Cushman-Ryan/OMC Lincoln  
E-Z-Go Textron  
Industrial Leasing Corp  
Melex USA Inc  
Noland Car Co  
Ross Products  
Taylor-Dunn Mfg Co  
Yamaha

### Vehicles, Turf

Arbortech/A Scott Fetzer Co  
Cushman-Ryan/OMC Lincoln  
E-Z-Go Textron  
Hahn Inc  
Carl Heald Inc  
Industrial Leasing Corp  
K-D Manitou Inc  
Noland Car Co  
Olathe Mfg Inc  
Ross Products  
Smithco Inc  
Smithco  
SNS Motor Imports Inc  
Terrain Vehicles Inc  
Toro Co Commercial Prods Div  
Turf Vac Corp  
Yamaha

# WITH LESS TRACTOR

11 $\frac{1}{2}$ ' unit folds up its outboard reels automatically for easy trailering and storage.

For all the details and a free demonstration, call or write today for the name of the dealer nearest you.

National Mower Company  
700 Raymond Avenue  
St. Paul, Minnesota 55114  
612/646-4079.

Circle No. 144 on Reader Inquiry Card



# A cut above.

## A professional cut.

The 48" Exmark mower's popular V-design deck makes this mower easy to handle and new adjustable pin casters allow quick height adjustments. The professional cut is turning heads across the nation.

## A profitable cut.

Precision engineering, rigorous testing and exacting production procedures mean that all Exmark products, from the sleek 48" to the powerful Turf Rake, will give you years of profitable operation. Combine Exmark's quality and excellent pricing and you get lawn care equipment that's a cut above the competition.

For the dealer nearest you, call Exmark today:  
**402/223-4010.**

**exmark**  
MFG. CO., INC.  
BOX 748, BEATRICE, NE 68310

*The mark of quality  
in professional lawn care.*



Circle No. 122 on Reader Inquiry Card

## Equipment

*continued*

### Vibratory Plows

Burkeen Mfg Co  
Charles Machine Works Inc  
Turfco Mfg Inc  
Vermeer Mfg Co

### Washers, Pressure

Best Way Inc  
Broyhill Co  
Carmel Chemical Corp  
Deere & Co  
Delco Mfg Co  
Ferguson Equipment & Supply  
FMC Corp  
Ford Tractor Operations  
Jaeco Pump Co  
Kubota Tractor Corp  
Kuker Industries Inc  
Northeast Industries Inc  
Pex Inc  
Raindrip Inc  
Sensation Div Gilson  
Siebring Mfg Co  
Sioux Steam Cleaner Corp  
D B Smith & Co  
Strong Ent Inc  
Thorco/Master Sprayers  
Westheffer Co

## NEW TURF-TYPE TALL FESCUES

*Now, more than ever the choice of professionals.*

*Join the rapidly growing number who select Tall Fescue for:*

- rich, dark green dense turf
- low maintenance
- soil and climate adaptability
- tolerance to shade and cold



- tolerance to heat and drought
- resistance to disease
- durability and longer wear
- year-round beauty and performance

*Oregon Turf Type Tall Fescue has all the superior qualities you want and need: beauty and rugged stability. Demand the perfect choice for low maintenance turf, ideal for playing fields, parks, home lawns, airfields, roadways, industrial and commercial sites and more.*

*For more information  
contact your seed dealer, or write to:*

**OREGON TALL FESCUE COMMISSION**  
2140 Turner Rd. SE., Salem, Oregon 97302  
Phone (503) 585-1157





# 110 KINDS OF PLANTS. 43 TYPES OF INSECTS. 1 SPRAY.

You're looking at a picture, not of a place, but of an idea: ORTHENE® Tree and Ornamental Spray, and why it means so much to professional gardeners, nurserymen, arborists and golf course superintendents.

ORTHENE offers blanket protection against an amazing variety of insect pests. It's cleared for use on a long list of trees and plants, from orchids to roses to ponderosa pine, even for turf. Cleared last year for use against turf insects, ORTHENE\* has just been okayed for mole crickets in Florida—the main enemy of professionals' healthy greens and fairways.

By using ORTHENE, one

spray lets you kill pests like tent caterpillars, whiteflies, Japanese beetles and thrips on contact. Plus it provides lasting residual action against other insects from aphids to scale crawlers to sod webworms. It's a great way to make the whole job of protecting flowers, trees and turf simpler, and more effective.

If you're a professional in the plant care industry, ORTHENE can actually make it easier to do a better job of protecting plants. You ought to know more about it. To find out, send in this coupon.

\*ORTHENE 75 S Soluble Powder (Florida SLN).

Avoid accidents: For safety, read the entire label including precautionary statements. Use all chemicals only as directed. Copyright © 1985 Chevron Chemical Company. All rights reserved.

Circle No. 221 on Reader Inquiry Card

## ORTHENE.



### ORTHO

Chevron Chemical Company

Mail to:  
Lee Sutherland  
Chevron Chemical Company  
575 Market Street  
San Francisco, CA 94105

Please send me more information on ORTHENE.

Name

Company

Street Address

City

State  Zip





## 2. Equipment Companies

Advanced Drainage Systems Inc  
3300 Riverside Dr  
Columbus OH 43221  
614-457-3051

AEG Power Tool Corp  
One Winnenden Rd  
Norwich CT 06360  
800-243-0870

Aer-Way  
20 Phoebe St  
PO Box 339  
Norwich ON CN  
N0J 1P0  
519-863-3414

Ag-Rain Inc  
600 S Schrader  
Havana IL 62644  
309-543-4425

Ag-Share Computer Systems Inc  
3334 Sheridan Blvd  
Denver CO 80212  
303-455-8734

★Agro-Chem Inc  
11150 W Addison  
Franklin Park IL 60131  
312-455-6900

Agrotec Inc  
PO Box 49  
Pendleton NC 27862  
919-585-1222

Alamo Group  
PO Box 549  
Sequin TX 78156-0549  
512-379-1480

Algoma Net Co  
1525 Mueller St  
Algoma WI 54201  
414-487-5577

Allegheny International Hardware Group  
465 Railroad Ave  
PO Box 3500  
Shiremanstown PA 17011  
717-737-1500

Altec Industries Inc  
PO Box 10264  
Birmingham AL 35202  
205-969-3400

American Continental Products  
Box 280  
Willmar MN 56201  
612-235-1752

American Enka Co  
See BASF Corp

American Excelsior Co  
850 Ave H East  
PO Box 5067  
Arlington TX 76011  
817-640-1555

American Honda Motor  
100 W Alondra Blvd  
Gardena CA 90247  
213-327-8280

American Playground Device Co  
1801-31 S Jackson St  
PO Drawer 2599  
Anderson IN 46011  
317-642-0288

American Stamp Co  
12290 Rising Rd Ste 400  
Wilton CA 95693  
916-687-7102

American Standard Co  
157 Water St  
Southington CT 06489  
203-628-9643

American Trencher  
503 Gay St  
Delhi IA 52223  
319-922-2981

Ames Lawn & Garden Tool Co  
PO Box 1774  
Parkersburg WV 26102  
304-424-3000

AMETEK/Plymouth Prods Div  
502 Indiana Ave  
Sheboygan WI 53081  
414-457-9435

Anchor Swan Div Harvard Ind Inc  
8929 Columbus Pike  
Worthington OH 43085  
614-548-6511

Angus Sprayers  
12001 N Cave Creek Rd  
Phoenix AZ 85020  
602-944-5591

Applied Biochemists Inc  
5300 W County Line Rd  
Mequon WI 53092  
414-242-5870/800-558-5106

Aquamarine Div of Erectoweld Inc  
1604 S West Ave  
Waukesha WI 53186-7434  
414-547-0211

Aquatic Irrigation Systems Inc  
619 "E" E Gutierrez St  
Santa Barbara CA 93103  
805-965-5125

★Aquatrols Corp of America  
1432 Union Ave  
Pennsauken NJ 08110  
609-665-1130/800-257-7797

Aquaturf  
11363 San Jose Blvd  
Jacksonville FL 32241  
904-268-6707

Arborchem Products Co  
PO Box 1567  
Fort Washington PA 19090  
215-748-4455

Arbortech/A Scott Fetzer Co  
3203 W Lincoln Way  
Wooster OH 44691  
216-264-4266

Architectural Precast Inc  
2021 Longwood Ave  
PO Box 23110  
Columbus OH 43223  
614-875-0963

Ariens Co  
655 W Ryan St  
Brillion WI 54110  
414-756-2141

Arizona Power Equipment Co  
12001 N Cave Creek Rd  
Phoenix AZ 85020  
602-944-5591

Arthur Enterprises Inc  
3311 S Susan St  
Santa Ana CA 92704  
714-557-5112

Asplundh Safety Equipment Co  
120 Keystone Rd  
Montgomeryville PA 18936  
215-628-0570

★Atwater Strong Div  
6284 Waterloo Rd  
PO Box 68  
Atwater OH 44201  
216-947-2344

Auburn Consolidated Industries Inc  
2100 S "J" St  
Auburn NE 68305  
402-274-4911

Badger Chipper Co  
6 Johnson Court  
Bay City MI 48706  
517-894-4579

Barebo Inc  
Rd 2  
Emmaus PA 18049  
215-965-6018

Bartlett Mfg Co  
3003 E Grand Blvd  
Detroit MI 48202  
313-873-7300

★BASF Corp Fibers Div Geomatrix Systems  
Enka NC 28728  
704-667-7946



Insecticide-Nematicide

# NEW CHIPCO MOCAP<sup>®</sup> RUBS OUT GRUBS FASTER.

New CHIPCO<sup>®</sup> MOCAP<sup>®</sup> insecticide gives you the kind of grub control you need...control that's fast and effective.

CHIPCO MOCAP starts killing grubs as soon as you water it in. Other products take hours or days to work.

And all that time, grubs continue to feed, destroying your turf.

For best results, apply CHIPCO MOCAP before grubs start to feed—usually in August or early September. But if grubs get the jump on you, you can still take control quickly and effectively with fast-acting CHIPCO MOCAP.

And fast action is just part of the story. CHIPCO MOCAP gives effective control of a broad spectrum of grubs.

### CHIPCO MOCAP KILLS OTHER TURF INSECTS, TOO.

CHIPCO MOCAP knocks out a broad range of surface insects, including chinchbug and sod webworm. And if nematodes or mole crickets are destroying your turf, you can destroy them, too, with CHIPCO MOCAP.

For the fastest, most effective control of grubs and other turf pests, include CHIPCO MOCAP in your turfgrass management program. CHIPCO

MOCAP from Rhône-Poulenc Inc., makers of CHIPCO<sup>®</sup> 26019 and CHIPCO<sup>®</sup> Ronstar<sup>®</sup>, is a new addition to the CHIPCO line of fine products for turfgrass protection.

For more information write to Rhône-Poulenc, CHIPCO Department, P.O. Box 125, Monmouth Junction, NJ 08852



# CHIPCO<sup>®</sup> MOCAP<sup>®</sup> Rubs out grubs.

CHIPCO, RONSTAR and MOCAP are registered trademarks of Rhône-Poulenc.



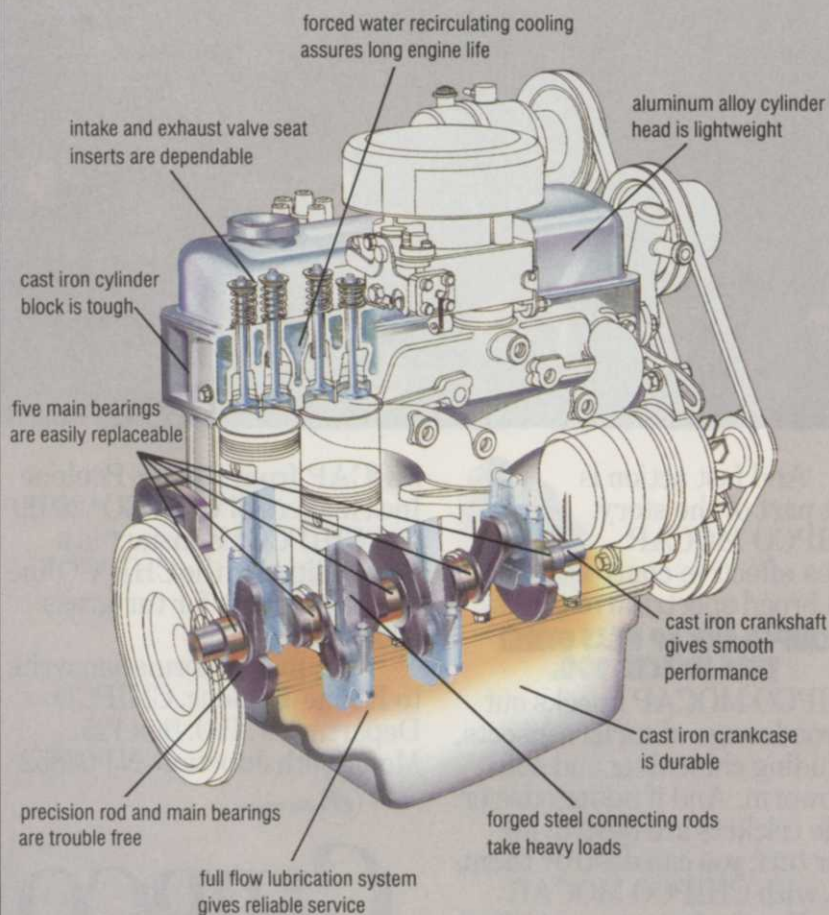
# 10 reasons why you should ask for a Continental R-Series engine

High performance, long life design — that's what the Continental R-Series liquid-cooled engines from Teledyne Total Power can offer you.

Take a look at the counter-weighted spheroidal cast iron crankshaft with five main bearings and forged steel connecting rods...right down to the cast iron cylinder block and crankcase, you can depend on the quality to keep up with your

equipment.

Ask for Continental R-Series engines from Teledyne Total Power, with over 5,000 distributors and service centers in over 90 countries ready to serve you. Send for your free "Reasons Why" brochure today: Teledyne Total Power, P.O. Box 181160, Memphis, TN 38181-1160, 901/365-3600, Telex: 462-1058 (ITT)



**TELEDYNE  
TOTAL POWER**

3409 Democrat Road • Memphis, TN 38118  
Call toll-free: 1-800-932-2858

R-11/4

Circle No. 165 on Reader Inquiry Card

## Equipment Companies

*continued*

Beird-Poulan/Weed Eater  
5020 Flournoy-Lucas Rd  
Shreveport LA 71139  
318-687-0100

Beck Greenhouse Co  
1510 Pumphrey Ave  
PO Box 650  
Auburn AL 36831-0650  
205-821-4600

Best Way Inc  
1315 S Eighth St  
Clear Lake IA 50428  
515-357-6155

B & G Equipment Co  
Applebutter Ln  
PO Box 130 Rte 611  
Plumsteadville PA 18949  
215-766-8811

Better Built Corp  
845 Woburn St  
Wilmington MA 01887  
617-938-1002

Big John Tree Transplanter Mfg Inc  
Hwy 110 East  
PO Box 608  
Heber Springs AR 72543  
501-362-8161

BigToys  
2601 S Hood St  
Tacoma WA 98409  
206-572-7611

Billy Goat Industries Inc  
1803 S Jefferson  
Lee's Summit MO 64063  
816-524-9666

Bingham Equipment Co  
710 N 195th Ave  
Buckeye AZ 85326  
602-247-7638

BlueBird International Inc  
2778 S Tejon  
Englewood CO 80110  
303-781-4458

John Blue Co  
2800 Bob Wallace Ave  
Huntsville AL 35805  
205-536-5581

Bock Products  
1901 W Hively Ave  
Elkhart IN 46515  
219-294-5581

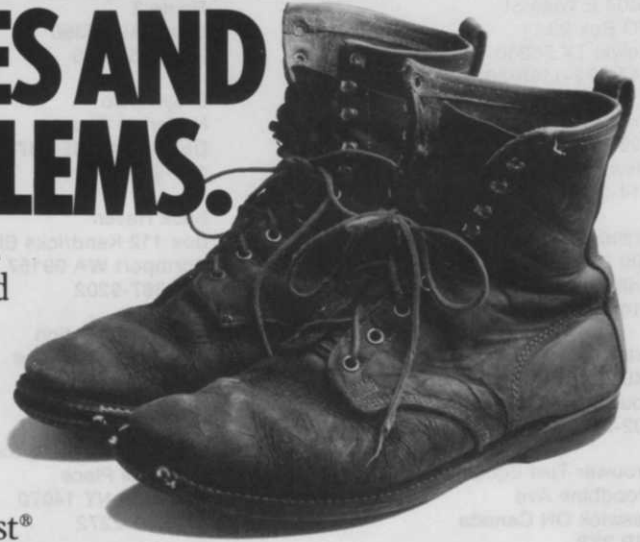
Bolens Corp  
215 S Park St  
Port Washington WI 53074

Bombardier Inc  
Rue De La Montagne  
Valcourt PQ Canada  
JOE 2L0  
514-532-2211

Bomford Center  
R L Parson & Son Equipment Co  
Box 28



# BEFORE WE DEVELOPED THESE PROBLEM-SOLVING TURFGRASS MIXTURES, WE MARCHED THROUGH ACRES AND ACRES OF PROBLEMS.



Nobody knows the troubles we've seen. Our Northrup King turf specialists and researchers have hoofed through salt problems, soil compaction, disease, starved turf, baked turf, cleated-to-shreds turf, and dormant winter turf—all depressing sights. But it was a road well worth our travels.

The result is a complete line of Medalist® turfgrass formulas that meet the demands of the professional turf manager.

If you've been staring down at a turf problem, look up your solution here. And if you think it's a turf problem we haven't seen, just let us know.

Our business is putting your problems behind us.



MEDALIST TURF PRODUCT	MAJOR AREAS OF USE	SPECIAL FEATURES
Athletic Pro and Athletic Pro II	For athletic turf.	Well suited for new seeding or overseeding. Fast establishing, traffic tolerant, rapid recovery. Both provide good footing.
Boulevard Mix	Any area with high pH (roadsides, sidewalks, boulevards, alkaline soils, etc.).	Contains 'Fults' and Dawson red fescue for beautiful salt-tolerant turf. Performs at low to high fertility levels.
Landscape Pro Mix	School grounds, cemeteries, golf course roughs, home lawns.	Establishes fast. Adapts to broad range of conditions and management levels. Low to moderate fertility needs.
Overseeder II Mix	Fairways, tees, athletic fields.	Rapid germination and establishment. Withstands heavy traffic and resists diseases. Penetrates compacted soils.
Medalist North Mix	Fairways, tees, cart paths, wear areas.	Quality turf for high traffic areas. Clean mowing and disease resistant.
Premium Sod Blend	Commercial sod production.	Exceptional dark green color. Tolerates light shade. Superior disease resistance. Rapid sod producer.
Renovator Pro Mix	Problem solver for heavy traffic areas (athletic fields, golf tees, and fairways).	Penetrates compacted soils and combats <i>Poa annua</i> . Adaptable to most geographic regions.
Medalist Brand Overseeding Products	Winter overseeding of dormant bermudagrass.	Establishes rapidly and evenly. Tolerates traffic while providing a superior putting surface. Smooth spring transition.

Ask your Northrup King distributor about Medalist Turf Products to solve your turf problems. Or write Northrup King Medalist Turf Products, P.O. Box 959, Minneapolis, MN 55440.



## Equipment Companies

continued

West Jefferson OH 43162  
614-879-7601 879-7602

Bouldin & Lawson Inc  
Rte 10 Box 208  
McMinnville TN 37110  
615-668-4090

★ Bowie Industries Inc  
1004 E Wise St  
PO Box 931  
Bowie TX 76230  
817-872-1106/800-433-0934

Briggs & Stratton Corp  
12301 W Worth St  
Milwaukee WI 53222  
414-259-5333

★ Brillion Iron Works Inc  
200 Park Ave  
Brillion WI 54110  
414-756-2121

Brinly-Hardy Co  
340 E Main St  
Louisville KY 40202  
502-585-3351

★ Brouwer Turf Equipment Ltd  
Woodbine Ave  
Keswick ON Canada  
L4P 3E9  
416-476-4311  
7320 Haggerty Rd

Canton MI 48187  
313-459-3700

Roscoe Brown Corp  
RR 1 Box 48  
Lenox IA 50851  
515-333-4551

Brown Mfg Corp  
Route 3  
Ozark AL 36360  
205-795-6603

Broyhill Co  
N Market Square  
Dakota City NE 68731  
402-987-3412

Buck Haven  
Box 112 Kendricks Bldg  
Northport WA 99157  
604-367-9202

Buckner Irrigation  
4381 N Brawley Ave  
Fresno CA 93711  
209-275-0500

Buffalo Turbine Agricultural Equipment Co  
Industrial Place  
Gowanda NY 14070  
716-532-2272

★ Bunton Co  
4303 Poplar Level Rd

PO Box 33247  
Louisville KY 40232  
502-966-0550

Burkeen Mfg Co  
11200 High Point Cove  
Olive Branch MS 38654  
601-895-4150

Bush Hog  
PO Box 1039  
Selma AL 36701  
205-872-6261

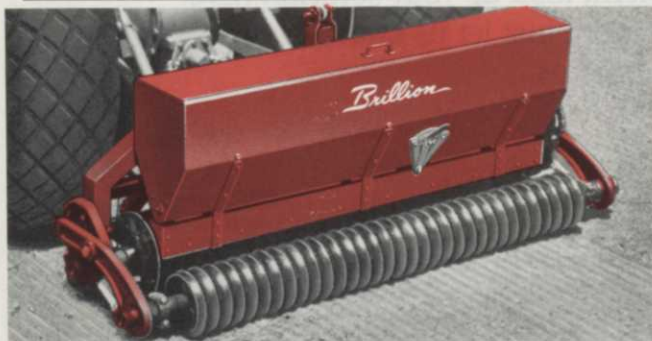
Cambridge Soil Services of America Inc  
106 Robert Gene St  
Glencoe AL 35905  
205-492-7847

Caretree Systems Inc  
160 Outerbelt St  
Columbus OH 43213  
614-861-7775

Laurie Carlson & Assoc Ltd  
PO Box 35  
Wauwaukee WI 53597  
608-849-4770/849-5166

J I Case Outdoor Power Equipment Div  
700 State St  
Racine WI 53404  
414-636-6011

Caterpillar Lift Trucks  
Towmotor Corp



**Thick turf in one pass  
...at less cost**

**BRILLION'S POPULAR LANDSCAPE SEEDER**  
eliminates costly hand labor and seeds big jobs in less time, at less cost. In one pass, you end up with sure, even, thick stands... the best looking seedings you've ever seen.

The Brillion presses out air pockets and firms the soil. It sows all grass seed mixtures... accurately, uniformly, and at the rate you select. And it sows the seed shallow, within the top 1/4" of soil, in a firmed, clod-free seedbed that cuts seed waste and promotes high germination and healthy growth.

In addition to Brillion's 5'4" Landscape Seeder, shown above, there's the 10' Turf-Maker Seeder designed for sod raisers and growers with larger areas to seed. Write or call Brillion for full-color literature on these two seeders today.



Brillion Iron Works, Inc.  
200 Park Avenue, Dept. 41-986  
Brillion, WI 54110  
Tel. 414/756-2121

**SURE-STAND SEEDINGS EVERY TIME**

Circle No. 108 on Reader Inquiry Card

110 WEEDS TREES & TURF/SEPTEMBER 1986

**INTRODUCING**

the



**IMPERIAL WALK  
BEHIND AERATOR**

(Patent Pending)

**SPECIFICATIONS:**

- Engine—5 HP, 4 Cycle Briggs and Stratton, 6 to 1 Gear Reduction
- Weight—450 lbs.
- Drive—Chain Driven and Belt
- Aerating Path—20"
- Width—Overall 30"
- Drive Wheel Castings—6-34 # each
- Pillow Type Tine Holder—1 1/2" x 2 1/2" Steel, Unbreakable
- Core Type Tines—21-5/8" x 3 1/2"
- Retractable Tines
- Adjustable Handle for Ease of Handling



**is rugged and  
requires little maintenance.**

**NOW, See And Buy the BEST! . . .**

**A Demonstration Will Convince You!**



For More Information call or write

**EARL J. CRANE INC.**

AND ASSOCIATES

3975 S. Seneca Co. Rd. 19  
Tiffin, Ohio 44883  
Ph. 419-447-8313

Circle No. 119 on Reader Inquiry Card

★ Advertiser. See Advertiser's Index