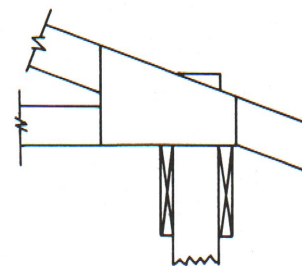


# POLE BUILDING BUYING GUIDE



## *and specification sheet*

Cooperative Extension Service      Michigan State University

BY JAMES S. BOYD

*Agricultural Engineering Department*

BUYING A FARM BUILDING often presents problems. Very often the details affecting quality are unknown to the buyer. This makes it very easy for the seller to meet price competition by lowering standards.

Most contractors know how to build good pole buildings and would rather build good buildings. Most contractors also like to build attractive farm buildings. The buyer must decide on the quality of construction and the degree of finish he can pay for.

Everyone is interested in getting as much as possible for their money and investment in a building can be sizeable. The most effective way to insure a good investment is to obtain competitive bids on a given building plan and specifications. This is seldom done as it requires time and many companies have so-called "standard plans" which they prefer to use. These are sometimes good plans but the buyer who is unfamiliar with construction has difficulty comparing one plan with another. Beware of the builder who cannot supply a detailed plan of the building before you sign the contract.

Most contractors like a bid on a building with a good plan and a good set of specifications. They know

the plans will be uniform for all contractors and the buyer is the winner.

The accompanying specification sheets are one way to indicate to all contractors some of the pertinent details. These sheets can be used as follows:

- a. Select a plan from some qualified source.
- b. Draw an outline of the building to scale at the top of page 2.
- c. Go through the items listed and check "yes" or "no" where indicated and indicate sizes where necessary on pages 1 and 2.

One of the weakest parts of pole buildings are the joints. On pages 3 and 4 are shown systems of bracing used. Show specifically the location and number of nails and bolts on the sheet and write the total in the blank. When the building is completed, the buyer has something to check against.

A set of sheets can be made out for each bidder or the same set can be shown to the different contractors. By using this simplified specification form, all contractors should bid on the same quality of building, and the details of construction can be checked.

**SKETCH A PLAN OF THE BUILDING**

A large grid for sketching a building plan, consisting of 20 columns and 20 rows of small squares.

**BUILDING DIMENSION**

Length \_\_\_\_\_ Width \_\_\_\_\_ to outside of wall framing  
Height inside \_\_\_\_\_

**SIDEWALL**

Poles Treated with penta 8 lb. retention Yes \_\_\_\_\_ No \_\_\_\_\_  
Spacing open side \_\_\_\_\_ ft. Closed side \_\_\_\_\_ ft.  
Size \_\_\_\_\_ in. x \_\_\_\_\_ in. or \_\_\_\_\_ in diameter  
Length \_\_\_\_\_ ft; in ground \_\_\_\_\_ ft.

Concrete pad \_\_\_\_\_ in. diameter \_\_\_\_\_ in. deep.

Splash boards penta treated 6 lb. retention Yes \_\_\_\_\_ No \_\_\_\_\_  
\_\_\_\_\_ 2' x 6' CEM. \_\_\_\_\_ in. high

Wall girt size \_\_\_\_\_ x \_\_\_\_\_ spaced \_\_\_\_\_ in.

Rafter plate open side \_\_\_\_\_ Closed side \_\_\_\_\_

Connection truss to rafter plate \_\_\_\_\_

Siding Aluminum \_\_\_\_\_; Description \_\_\_\_\_  
Steel \_\_\_\_\_; Standard coating 1 1/4 oz. \_\_\_\_\_; 2 oz. seal of quality \_\_\_\_\_

Insulation thickness \_\_\_\_\_; type \_\_\_\_\_

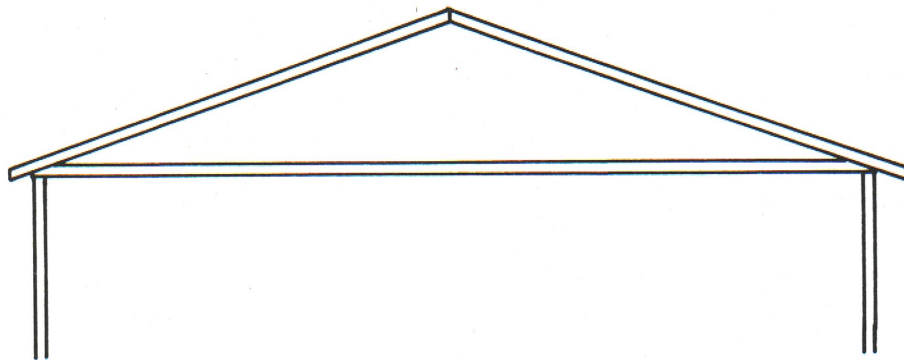
Plastic vapor barrier \_\_\_\_\_ mil. thick

Inside surface material \_\_\_\_\_

Eaves open Yes \_\_\_\_\_; No \_\_\_\_\_

Ventilator number \_\_\_\_\_; size \_\_\_\_\_

**ROOF:** Designed to withstand 30 psf Yes  No   
 Draw in truss design used.



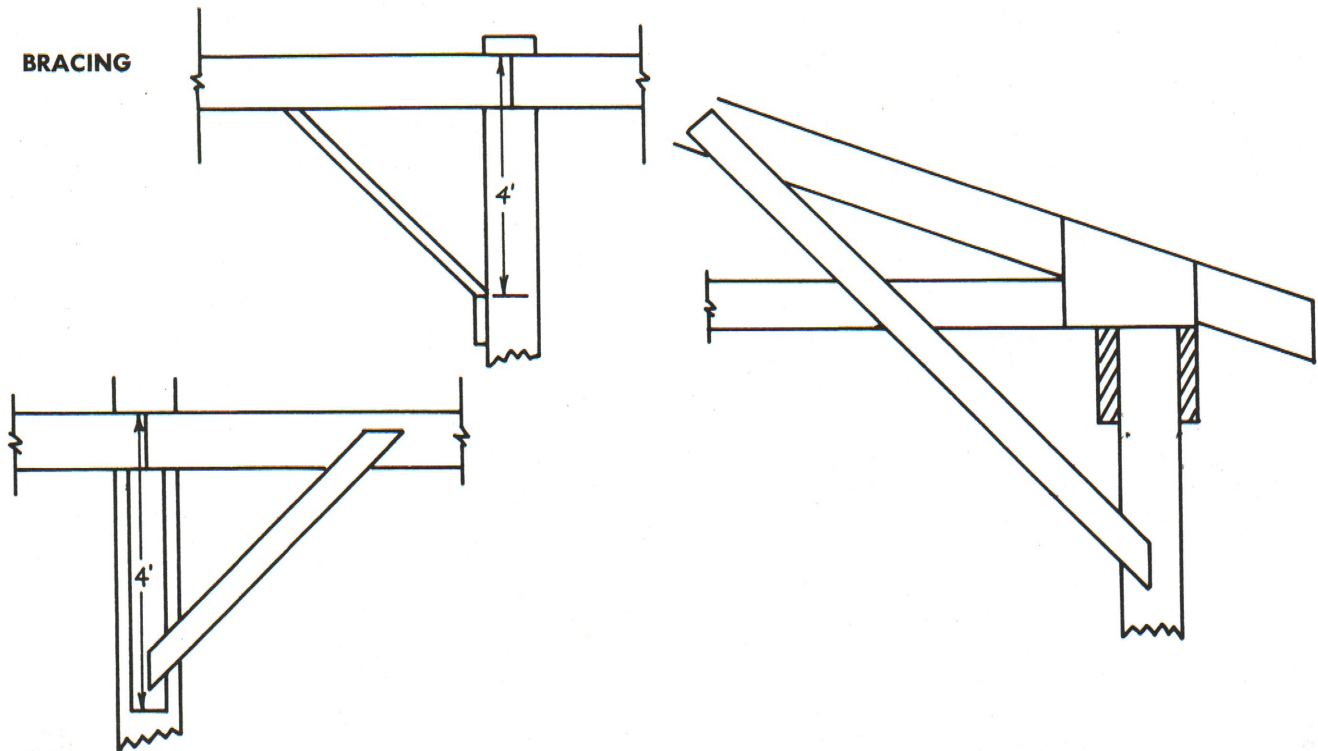
Truss length \_\_\_\_\_ ft; Spacing \_\_\_\_\_ ft. o.c.; glue nail \_\_\_\_\_; metal plate \_\_\_\_\_  
 Top chord \_\_\_\_\_; Bottom chord \_\_\_\_\_; diagonals \_\_\_\_\_  
 Roof girts \_\_\_\_\_ x \_\_\_\_\_ spaced \_\_\_\_\_ ft. o.c.  
 Roofing Aluminum \_\_\_\_\_: Description \_\_\_\_\_  
 Steel \_\_\_\_\_; Standard coating 1 1/4 oz. \_\_\_\_\_; 2 oz. seal of quality \_\_\_\_\_  
 All end laps not less than 6"; Yes  No   
 Skylight panels, number \_\_\_\_\_

Ceiling material \_\_\_\_\_  
 Insulation thickness \_\_\_\_\_; type \_\_\_\_\_  
 Vapor barrier \_\_\_\_\_ mil.

Wall openings  
 Windows: number \_\_\_\_\_; size \_\_\_\_\_;  
 Doors number \_\_\_\_\_; size \_\_\_\_\_

Floor, thickness \_\_\_\_\_; reinforcing \_\_\_\_\_

**BRACING**



Is one of these types included on each side of wall poles?  
 \_\_\_\_\_yes; \_\_\_\_\_no

Is this type included on each post?  
 \_\_\_\_\_yes; \_\_\_\_\_no

**FASTENERS** — Draw the nail and/or bolt pattern used in the following joints:

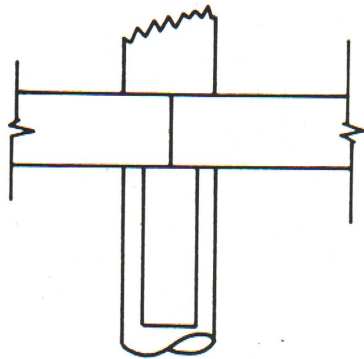
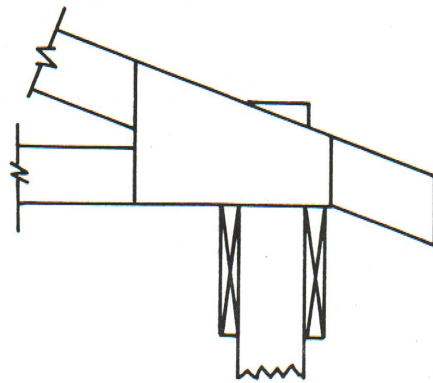


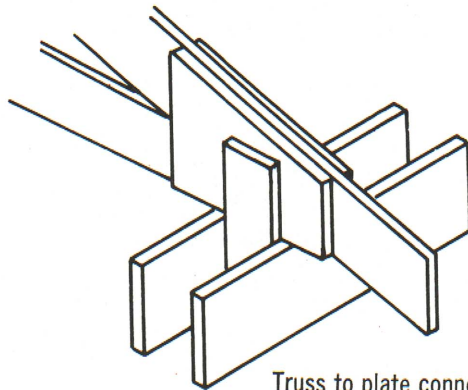
Plate to Pole

Bolts per joint number \_\_\_\_\_; size \_\_\_\_\_  
 Deformed nails per pole number \_\_\_\_\_; size \_\_\_\_\_



Truss to pole

Number of deformed nails \_\_\_\_\_; size \_\_\_\_\_



Truss to plate connection

Number of deformed nails \_\_\_\_\_; size \_\_\_\_\_

**HARDWARE**

Door track length \_\_\_\_\_; type \_\_\_\_\_  
 Heater rated output \_\_\_\_\_ Btu; control \_\_\_\_\_  
 Fans, number \_\_\_\_\_; size \_\_\_\_\_  
 Gutters \_\_\_\_\_ yes; \_\_\_\_\_ no; Downspout \_\_\_\_\_ yes; \_\_\_\_\_ no

**UTILITIES**

No. of electrical circuits \_\_\_\_\_; wire size \_\_\_\_\_; switches \_\_\_\_\_  
 No. of light sockets \_\_\_\_\_; No. of convenience outlets \_\_\_\_\_  
 No. of water outlets \_\_\_\_\_; No. of drains \_\_\_\_\_

Cooperative Extension Service Programs are open to all without regard to race, color, creed, or national origin. Issued in furtherance of cooperative extension work in agriculture and home economics, acts of May 8, and June 30, 1914, in cooperation with the U.S. Department of Agriculture. Gordon E. Guyer, Director, Cooperative Extension Service, Michigan State University, E. Lansing, MI 48824

Price 10 cents. Single copy free to Michigan residents.