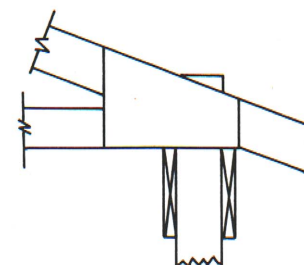


POLE BUILDING BUYING GUIDE



and specification sheet

Cooperative Extension Service

Michigan State University

BY JAMES S. BOYD

Agricultural Engineering Department

BUYING A FARM BUILDING often presents problems. Very often the details affecting quality are unknown to the buyer. This makes it very easy for the seller to meet price competition by lowering standards.

Most contractors know how to build good pole buildings and would rather build good buildings. Most contractors also like to build attractive farm buildings. The buyer must decide on the quality of construction and the degree of finish he can pay for.

Everyone is interested in getting as much as possible for their money and investment in a building can be sizeable. The most effective way to insure a good investment is to obtain competitive bids on a given building plan and specifications. This is seldom done as it requires time and many companies have so-called "standard plans" which they prefer to use. These are sometimes good plans but the buyer who is unfamiliar with construction has difficulty comparing one plan with another. Beware of the builder who cannot supply a detailed plan of the building before you sign the contract.

Most contractors like a bid on a building with a good plan and a good set of specifications. They know

the plans will be uniform for all contractors and the buyer is the winner.

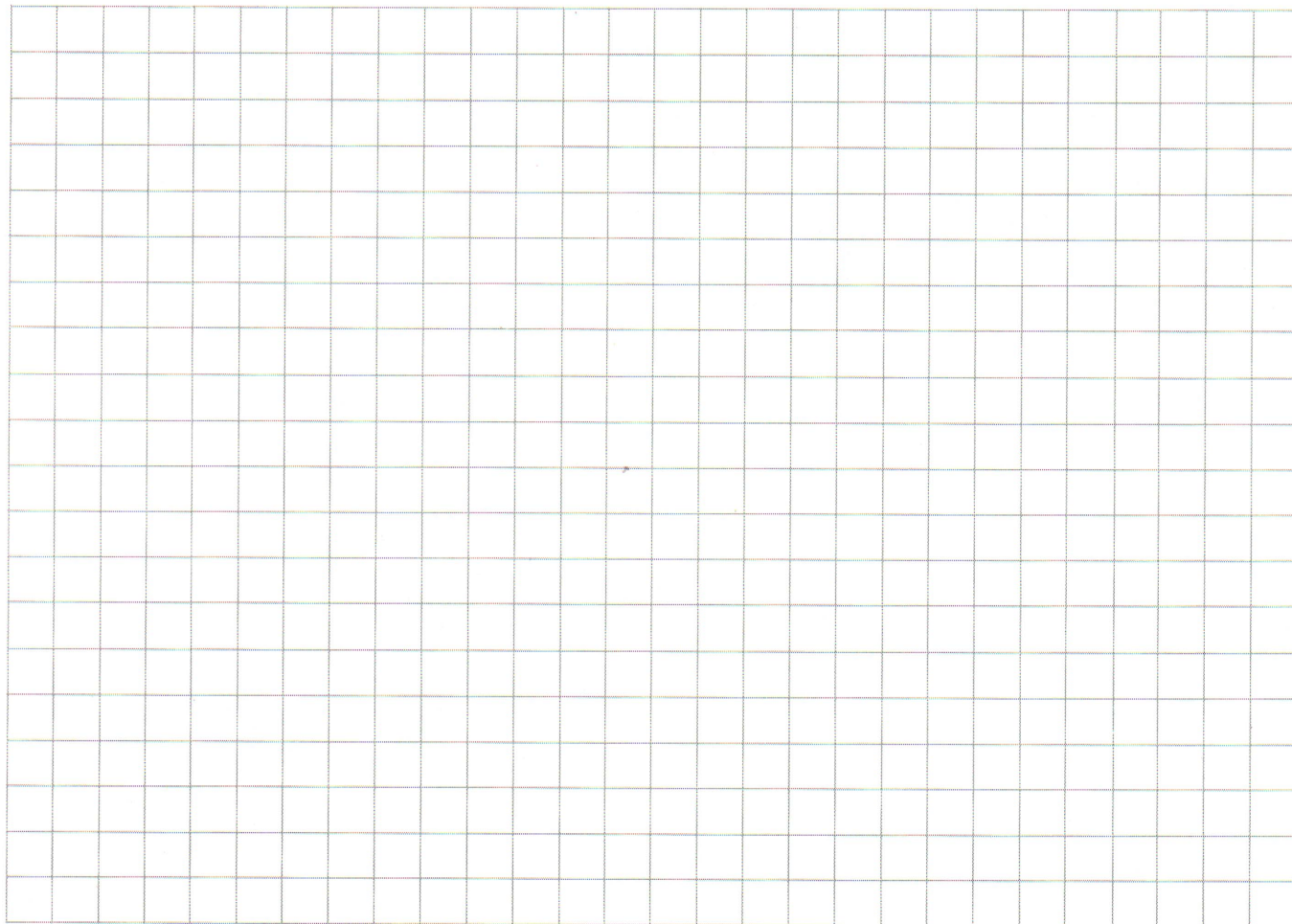
The accompanying specification sheets are one way to indicate to all contractors some of the pertinent details. These sheets can be used as follows:

- a. Select a plan from some qualified source.
- b. Draw an outline of the building to scale at the top of page 2.
- c. Go through the items listed and check "yes" or "no" where indicated and indicate sizes where necessary on pages 1 and 2.

One of the weakest parts of pole buildings are the joints. On pages 3 and 4 are shown systems of bracing used. Show specifically the location and number of nails and bolts on the sheet and write the total in the blank. When the building is completed, the buyer has something to check against.

A set of sheets can be made out for each bidder or the same set can be shown to the different contractors. By using this simplified specification form, all contractors should bid on the same quality of building, and the details of construction can be checked.

SKETCH A PLAN OF THE BUILDING



BUILDING DIMENSION

Length _____ Width _____ to outside of wall framing
Height inside _____

SIDEWALL

Poles Treated with penta 8 lb. retention Yes _____ No _____

Spacing open side _____ ft. Closed side _____ ft.

Size _____ in. x _____ in. or _____ in diameter

Length _____ ft; in ground _____ ft.

Concrete pad _____ in. diameter _____ in. deep.

Splash boards penta treated 6 lb. retention Yes _____ No _____

_____ 2' x 6' CEM _____ in. high

Wall girt size _____ x _____ spaced _____ in.

Rafter plate open side _____ Closed side _____

Connection truss to rafter plate _____

Siding Aluminum _____; Description _____

Steel _____; Standard coating 1 1/4 oz. _____; 2 oz. seal of quality _____

Insulation thickness _____; type _____

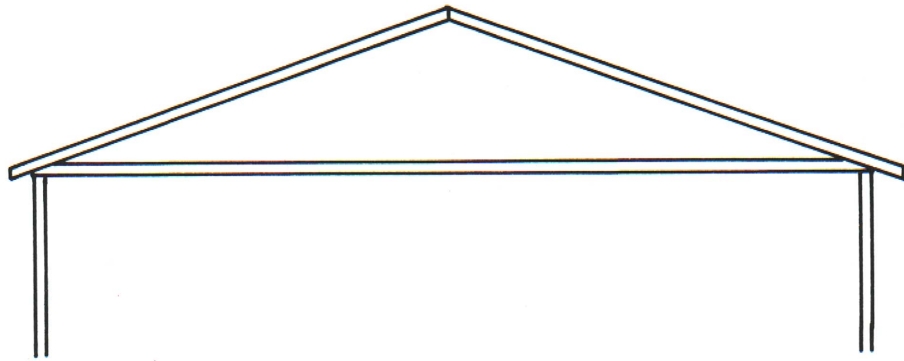
Plastic vapor barrier _____ mil. thick

Inside surface material _____

Eaves open Yes _____; No _____

Ventilator number _____; size _____

ROOF: Designed to withstand 30 psf Yes No
 Draw in truss design used.



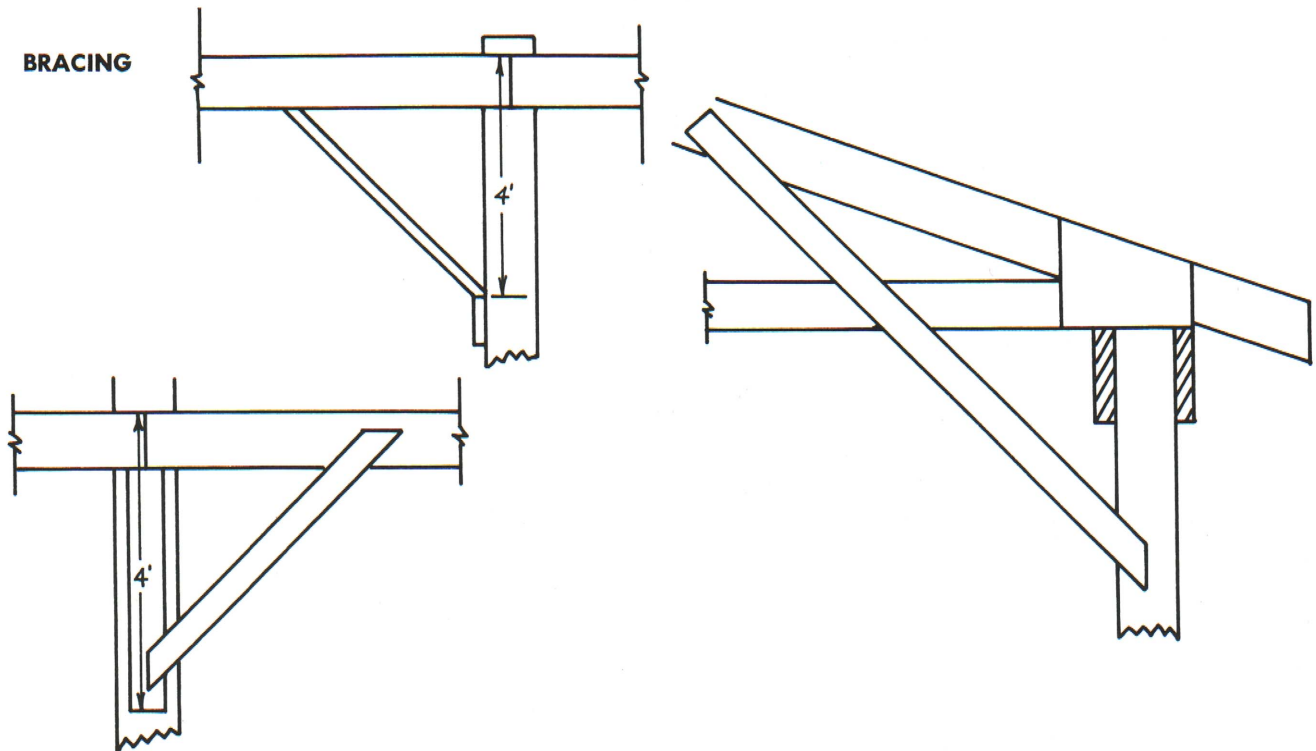
Truss length _____ ft; Spacing _____ ft. o.c.; glue nail _____; metal plate _____
 Top chord _____; Bottom chord _____; diagonals _____
 Roof girts _____ x _____ spaced _____ ft. o.c.
 Roofing Aluminum _____: Description _____
 Steel _____; Standard coating 1 1/4 oz. _____; 2 oz. seal of quality _____
 All end laps not less than 6"; Yes No
 Skylight panels, number _____

Ceiling material _____
 Insulation thickness _____; type _____
 Vapor barrier _____ mil.

Wall openings
 Windows: number _____; size _____;
 Doors number _____; size _____

Floor, thickness _____; reinforcing _____.

BRACING



Is one of these types included on each side of wall poles?
 _____yes; _____no

Is this type included on each post?
 _____yes; _____no

FASTENERS — Draw the nail and/or bolt pattern used in the following joints:

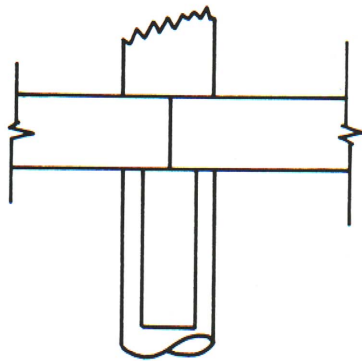
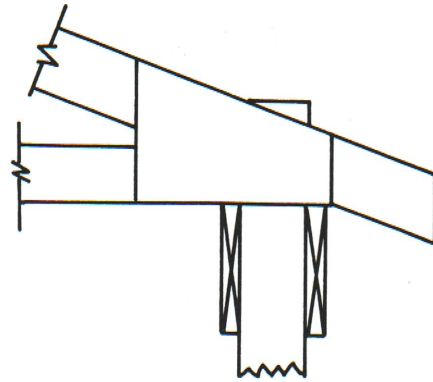
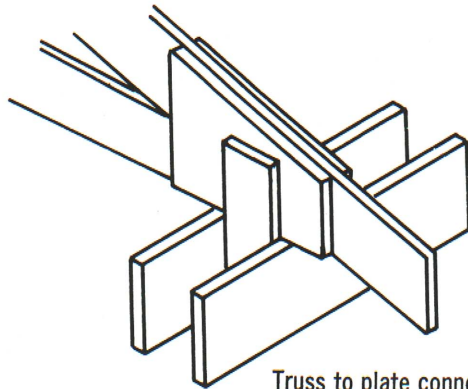


Plate to Pole
 Bolts per joint number _____; size _____
 Deformed nails per pole number _____; size _____



Truss to pole
 Number of deformed nails _____; size _____



Truss to plate connection
 Number of deformed nails _____; size _____

HARDWARE

Door track length _____; type _____
 Heater rated output _____ Btu; control _____
 Fans, number _____; size _____
 Gutters _____yes; _____no; Downspout _____yes; _____no

UTILITIES

No. of electrical circuits _____; wire size _____; switches _____
 No. of light sockets _____; No. of convenience outlets _____
 No. of water outlets _____; No. of drains _____.