

PORTABLE RANGE SHELTER

C. H. JEFFERSON and E. R. HANCOCK



Too frequently, losses in chick raising are caused by over crowded and poorly ventilated brooder houses.

The portable range shelter shown is a recent development in the housing of pullets during hot weather. It provides ideal conditions for development during the summer.

The more important advantages of a range shelter are:

1. Can be easily moved;
2. Provides shade during the day;
3. Allows for ample ventilation;
4. Economical to build.

This shelter will house about 100 pullets. It is built on skids so it may be easily moved. The floor is made of one inch poultry netting, allowing droppings to pass through.

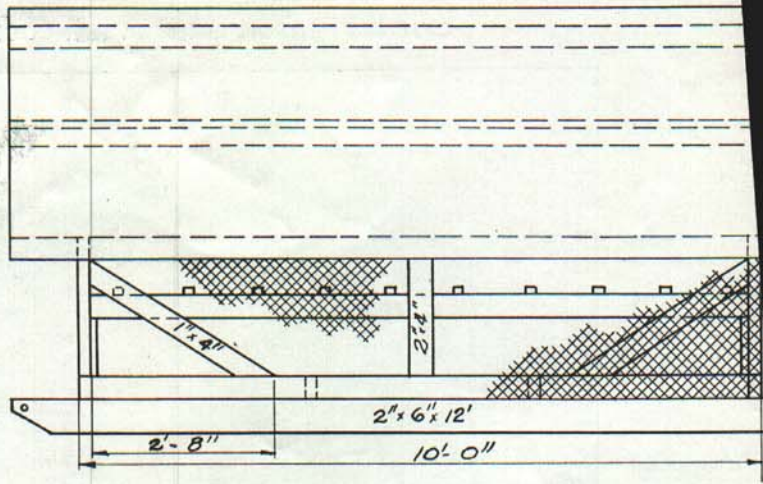
All four sides are constructed of one inch poultry netting to allow free ventilation. The roof is made of shiplap and heavy roofing material.

To secure best results, the shelter should be frequently moved to clean range and all manure on the old site should be thoroughly cleaned up and disposed of.

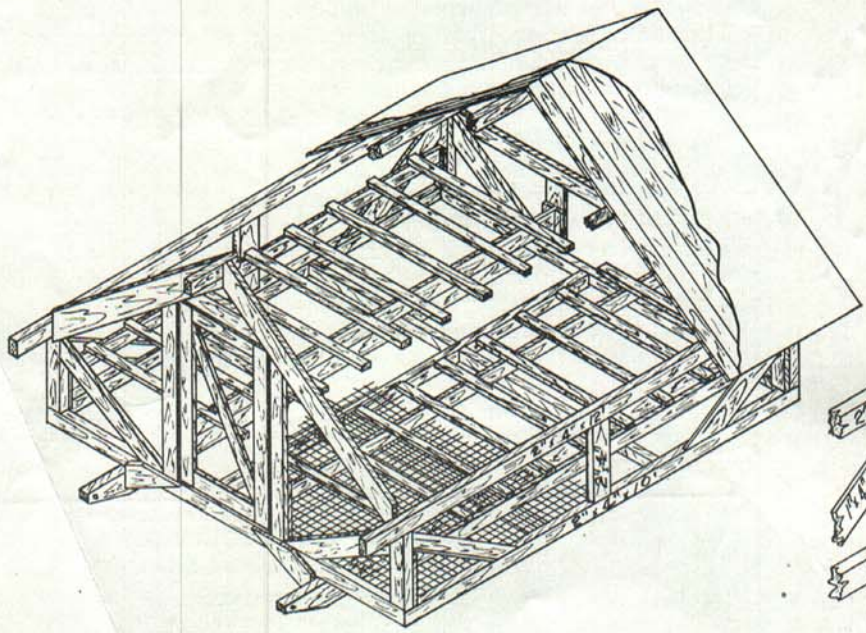
MICHIGAN STATE COLLEGE
Of Agriculture and Applied Science

EXTENSION DIVISION
R. J. Baldwin, Director

Printed and distributed in furtherance of the purposes of the cooperative agricultural extension work provided for in the Act of Congress May 8, 1914, Michigan State College of Agriculture and Applied Science and U. S. Department of Agriculture, cooperating.



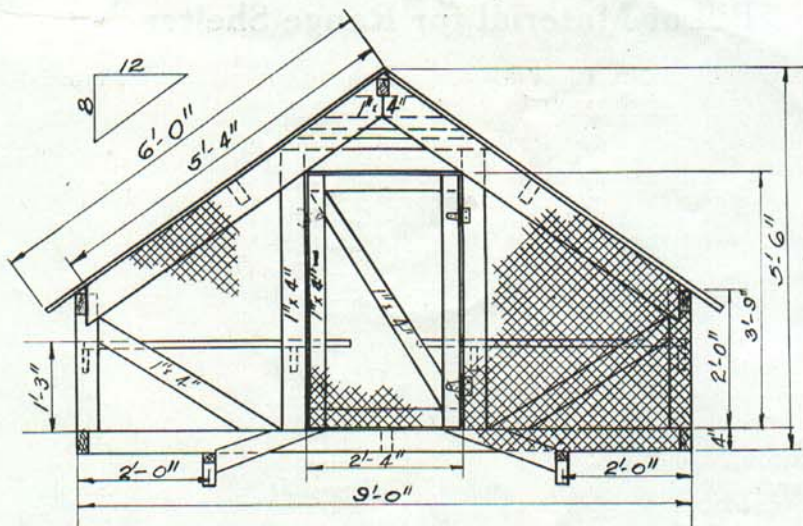
SIDE ELEVATION



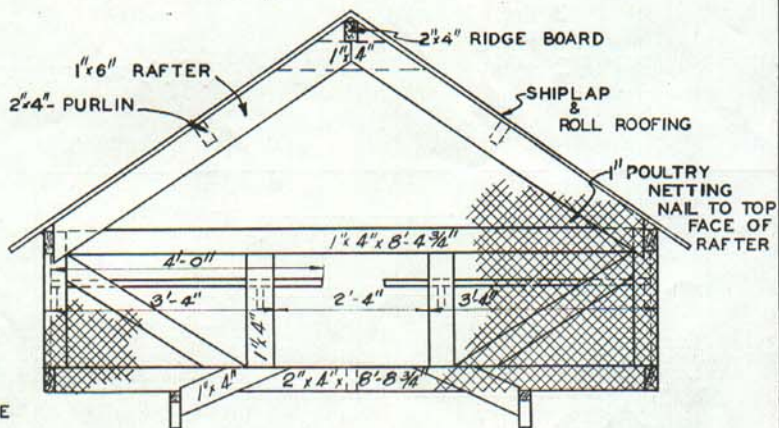
ISOMETRIC



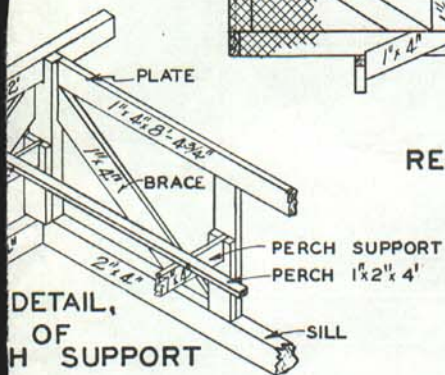
PERC



FRONT ELEVATION



REAR ELEVATION



DETAIL OF PERCH SUPPORT

SUMMER SHELTER FOR PULLETS	
AGRI. ENG. DEPT.	CHAS. H. J. L. J. B.
M.S.C.	SCALE 3/8" = 1'-0"
E. LANSING, MICH.	No.
DATE 4-21-32	

Bill of Material for Range Shelter

Use	No. Pieces	Size	Material
Skids	2	2" x 6" — 12'	
Joist	9	2" x 4" — 10'	
Purlin			
Plate	2	2" x 4" — 12'	
Ridge	1	2" x 4" — 12'	
Studs	1	2" x 4" — 12'	
Rafters	2	1" x 6" — 12'	
Perches	18	1" x 2" — 4'	
Braces	9	1" x 4" — 12'	
Door frame			
Door			
Perch			
Support	2	1" x 2" — 12'	
Facia boards			
Roof boards	16	1" x 10" — 12'	Shiplap
Poultry Netting	32'	3' wide	1" Mesh
Netting (Poultry)	70'	2' wide	1" Mesh
Wire	25'	No. 10 wire	
Hinges	1 pr.	3"	Strap
Nails	4 lbs.	16d	
	4 lbs.	6d	
	3 lbs.	8d	
	3 lbs.	½ staples	
Roofing	2 rolls		2 ply roofing paper

