



FARMING KNOW-HOW

Guidelines to Better Family Farming

Sheep Buildings and Equipment: *a catalog of plans*

COOPERATIVE EXTENSION SERVICE
Michigan State University

EXTENSION BULLETIN E-1058 SF4 APRIL 1977

James S. Boyd, Department of Agricultural Engineering
Harlan D. Ritchie, Department of Animal Husbandry

THE PLANS LISTED HERE are generally adapted to Michigan conditions. Most animals can tolerate cold weather as long as they are protected from rain, snow and wind. For a small number of animals the building should not be enclosed tightly but should have openings so air can move through to remove the moisture produced by the animals and from the manure.

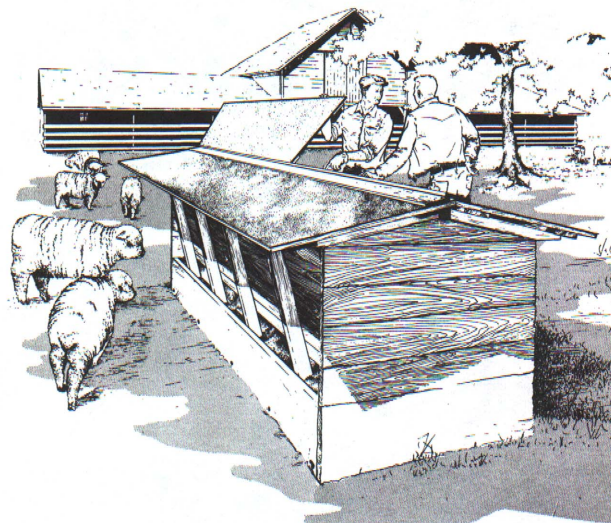
Most of the structures shown can be built from a variety of materials. Home-grown native wood is plentiful and works well for most of the plans.

Where wood is in contact with the ground, pressure treated wood is desirable. Examples are skids, and poles set in the ground.

The following are suggestions to make buildings more usable and prevent problems.

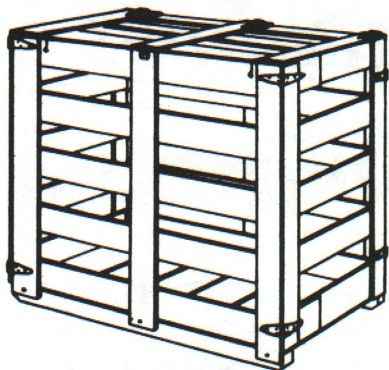
1. Find out if there are any municipal zoning ordinances or other regulations that prohibit or govern keeping livestock in your area.
2. Locate structures on a well-drained site that is conveniently accessible.
3. Provide adequate space for other animal needs and activities around the barn such as grooming areas, riding rings, pastures, paddocks and corrals.
4. Determine how many animals are to be handled and provide needed facilities and buildings.
5. Plan and provide for adequate feed storage and a water supply and distribution system. This may be around lots or out in the pastures.
6. Select gate or door latches or locks that provide the level of security needed for both animals and equipment.
7. Have a plan for manure management and fly control.
8. Determine what fire protection service is available and provide emergency protective equipment on premises.
9. An overall land-use plan and building location plan will help to obtain a convenient arrangement and present a pleasing appearance. This is becoming important where the lots are visible to the public.

The plans shown here and others may be obtained through your county Extension office or from the Department of Agricultural Engineering, Michigan State University, East Lansing, MI 48824.



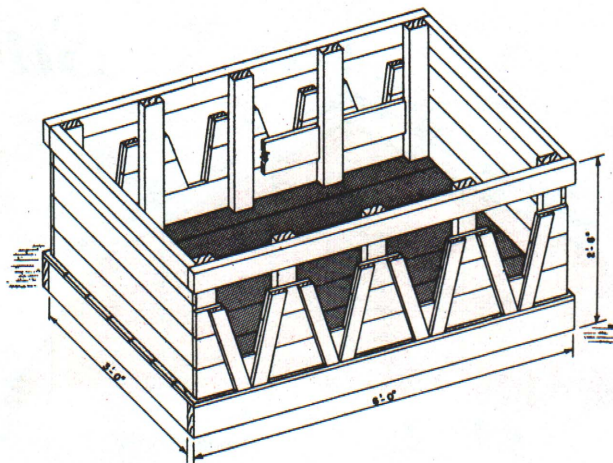
SELF-FEEDER FOR SHEEP, TYPE 'A' 5861—1 sheet, free

This wooden feeder is 15' long and has 30' of trough space. Capacity of the hopper is about 50 bushels. The bottom opening of the hopper can be adjusted for different types of feed.



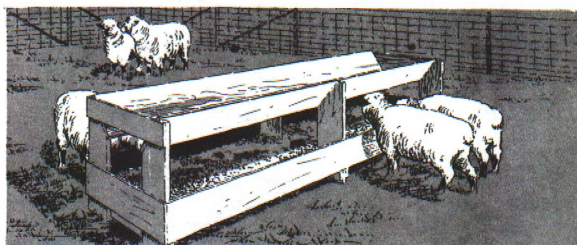
SHIPPING CRATES FOR SHEEP 5867—1 sheet, free

Shipping crates are necessary for shipping pedigreed stock to producers, and are also useful for shipping animals to fairs and exhibitions. However, these crates can add unnecessarily to the cost of transfer if they are discarded at the destination. For this reason, shippers often request that the crates be returned to them. This plan illustrates the construction of two kinds of crates—collapsible and noncollapsible. The collapsible crates can be folded into a small package for return.



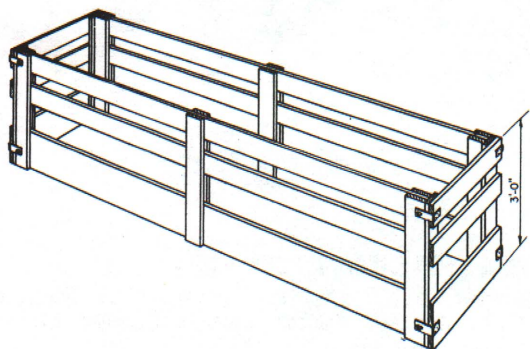
SHEEP FEEDERS 5913—1 sheet, free

This plan has construction details for two types of sheep feeders. The 3' × 6' movable rack, to be set in a feeding lot, has 1' × 6' removable boards nailed on the inside to make the depth of the "V" notch variable. This adjustment and the V-shaped head opening make it possible to feed hay and silage with very little waste. A narrower rack for feeding hay is built into units 8' long and may be used as a pen divider or it may be placed against a wall.



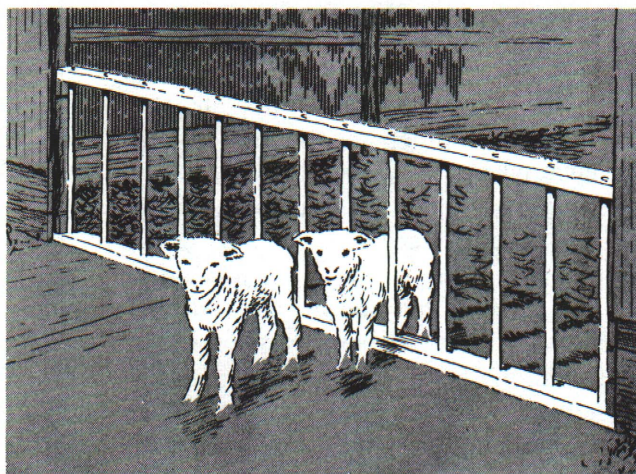
SHEEP FEEDER AND LAMB SHELTER 5905—1 sheet, free

This sheep equipment provides adequate feeder space for ewes and shelter for new-born range lambs. Both pieces are simple and easy to build.



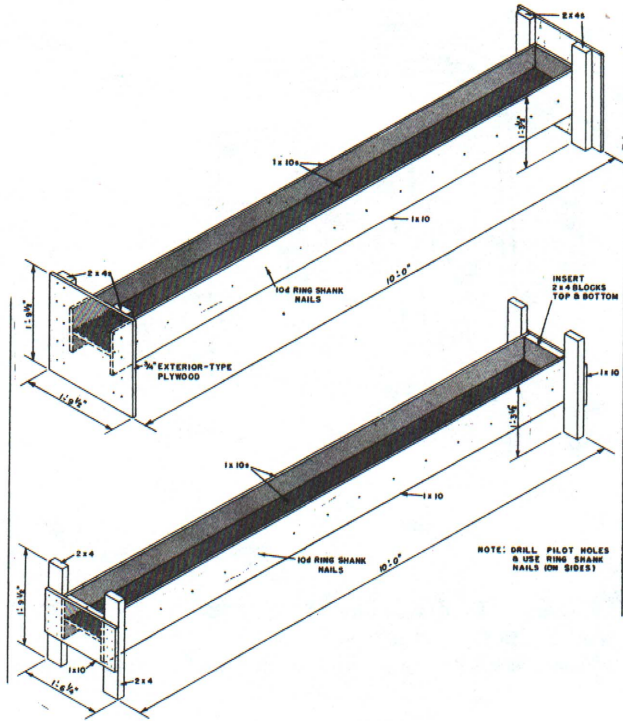
HAY AND GRAIN FEEDER FOR TEN SHEEP 5910—1 sheet, free

This five-sided hay and grain feeder prevents crowding and, although movable, it cannot be easily overturned. It is also suitable for feeding silage.



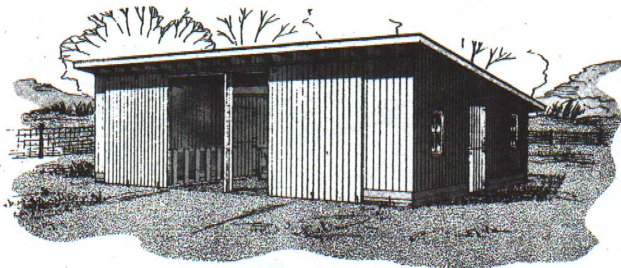
FENCING, FEEDING AND CREEP PANELS 5917—1 sheet, free

Efficient operation in caring for the breeding flock, lambing, shearing and fattening lambs requires that the shelter space for sheep be used in different ways at different times of the year. The fence and creep panels detailed on this plan may be used to make the same space convenient for different purposes.



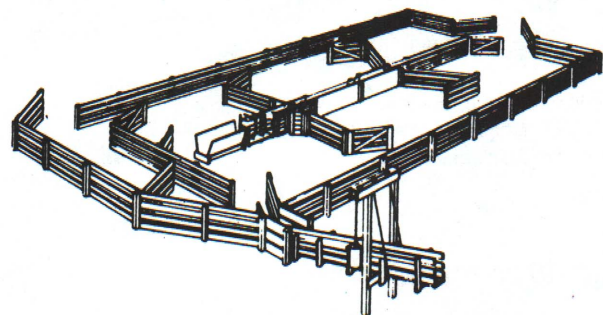
GRAIN TROUGHS FOR SHEEP 5918—1 sheet, free

Sheep and lambs like to eat from a clean trough. They will sometimes refuse to eat from a dirty trough, which not only wastes feed but also reduces gains. A reversible trough—one that can be turned over periodically to provide a clean feeding surface—has proved beneficial in maintaining trough sanitation.



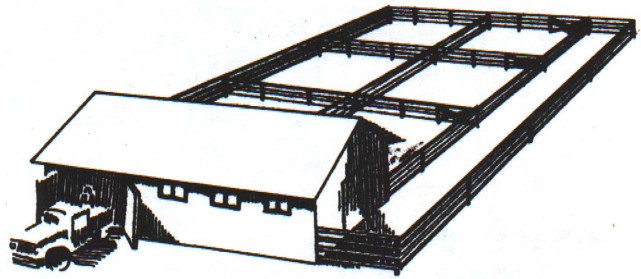
SHEEP AND LAMBING SHED 5919—2 sheets, \$1.00

This shed—with a feed room, movable pen panels, creep, trough and feed rack—makes a complete unit for handling a small farm flock of sheep.



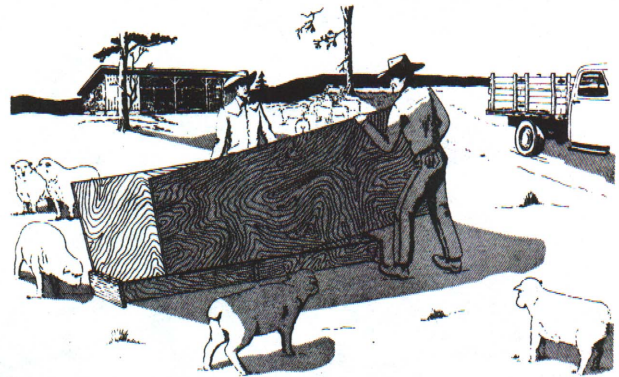
CORRALS FOR SHEEP 6019—3 sheets, \$1.00

This plan is much more complete than 6096. It shows the construction details for the cutting chutes, gates and the loading chute. It also shows two layouts including the above equipment.



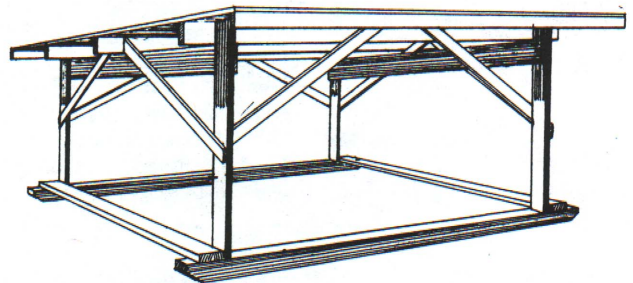
SHEARING SHED AND CORRAL 6096—1 sheet, free

This plan shows a layout for a shearing shed with pens to get sheep in and out easily. The size can be varied to suit the number of animals to be sheared. It provides for a shearing area plus a wool packing area. The corral plan shows handling pens plus a footbath, cutting chutes and a 30" and 53" crush.



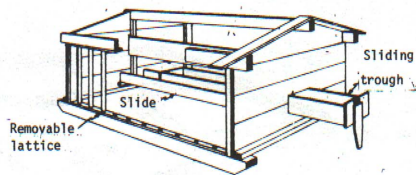
PORTABLE FOOTBATH FOR SHEEP 6142—1 sheet, free

This portable footbath, useful for controlling foot rot, is suitable for use on pasture, feedlot or open range. It can be erected in a matter of minutes.



PORTABLE SHADE 725-CI-8—1 sheet, free

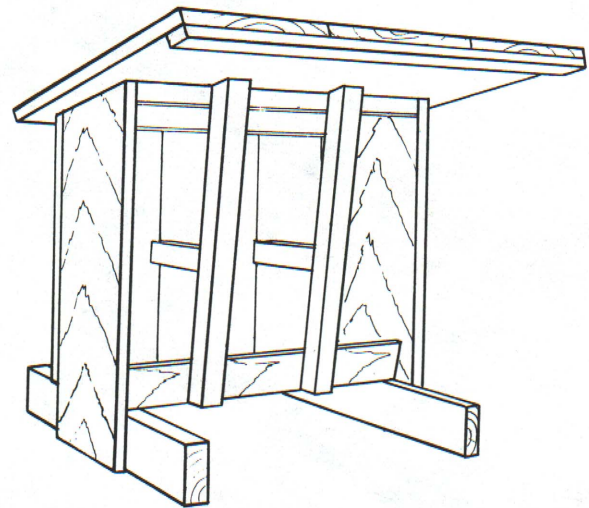
This simple wooden sunshade is built on skids for easy moving. The plan shows asphalt roll roofing to reduce the radiation heat, which is prevented with a metal roof.



PERSPECTIVE VIEW

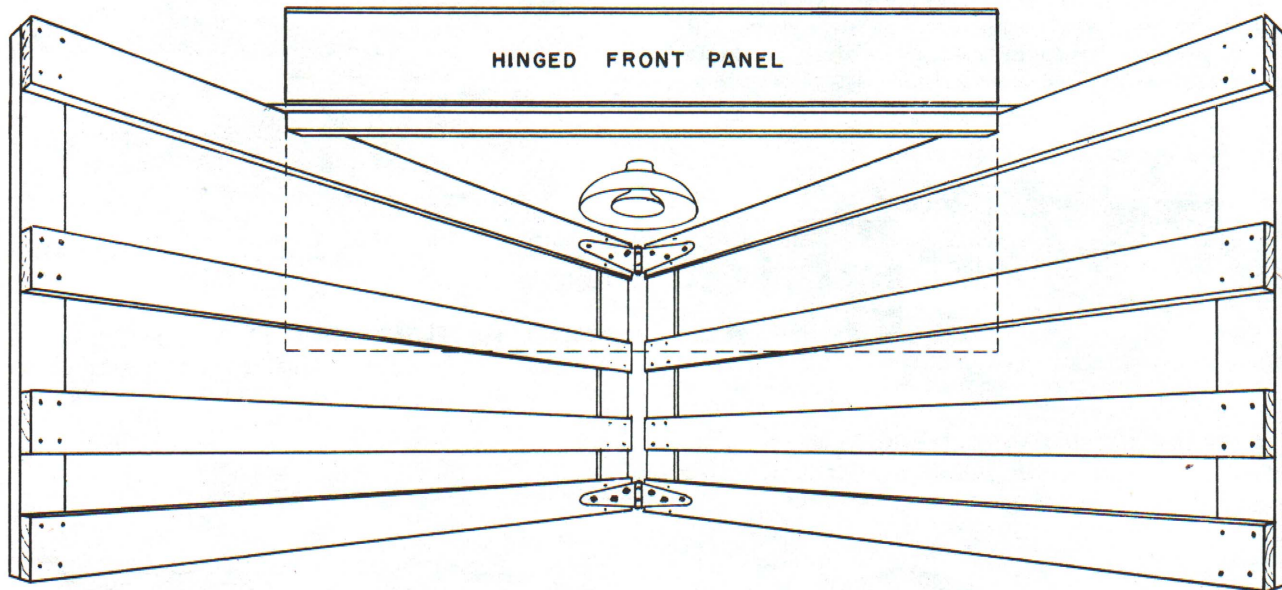
LAMB CREEP 872-CI-6—1 sheet, free

This 5' × 10' portable creep feeder can be pulled by tractor from one field to another. The feed trough can be pulled out to facilitate filling with feed, then pushed into the creep.



COVERED SALT BOX 872-CI-21—1 sheet, free

This small wooden salt box, 30" × 30", is made to rest on the ground without tipping over. It has a projection on the front to keep out rain and snow.



LAMBING PEN 872-CI-9—1 sheet, free

This lambing pen consists of two 5' panels hinged together. It can be easily set in the corner of a building to provide a lambing pen quickly. Made of 1" × 4" lumber, it is lightweight and easy to handle. An electric brooder is shown which hangs on the top of the panels.

SHEEP HANDBOOK, HOUSING & EQUIPMENT MWPS-3—80 pages, \$2.00

Up-to-date sheep housing and related facilities are important structures. They can save on labor; protect animals, feed and equipment; and aid in effective management. This book will help you make the sound and timely management decisions that are required to obtain well-planned sheep housing.